



# JLD VACUUM JOINT LEAK DETECTOR OPERATING INSTRUCTIONS



---

[www.USAIindustries.com](http://www.USAIindustries.com) (713) 941-3797 • (800) 456-8721

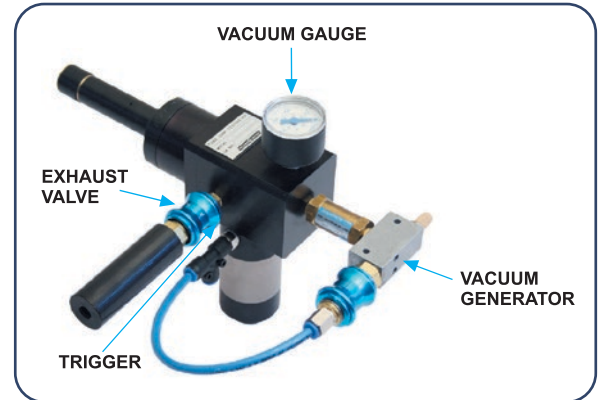
315 State Street • S. Houston, TX 77587



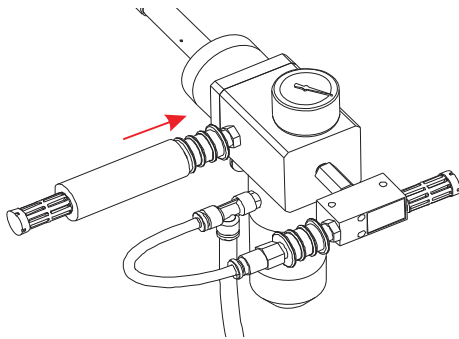
# JLD VACUUM JOINT LEAK DETECTOR OPERATING INSTRUCTIONS

## FEATURES:

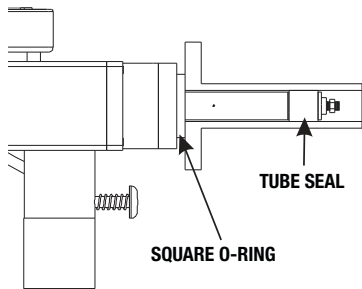
- Simple, Quick and Reliable tube joint testing. Test 10 tube joints per minute.
- Interchangeable seal sets : Allows testing of tube joints from 7.75 mm to 30.63 mm ID with easy to replace accessories. Joint Testing Gun weights less than 1.5 kg.
- Air supply : Uses standard plant air supplies from 70 psi to 100 psi (4.7 to 6.8 bar).
- Silent during use. Ergonomic design makes testing effortless.
- Each Kit packed in compact and handy case.



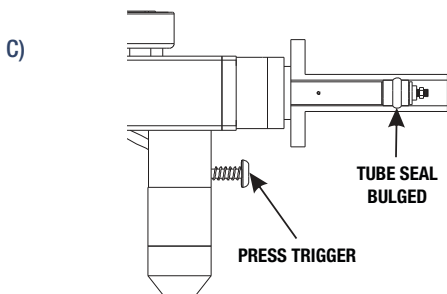
## SEQUENCE OF OPERATION:



A) Close exhaust valve by sliding it to extreme right.

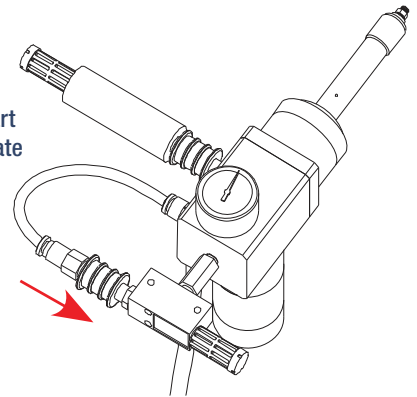


B) Insert manifold until square o-ring sits on the tube.

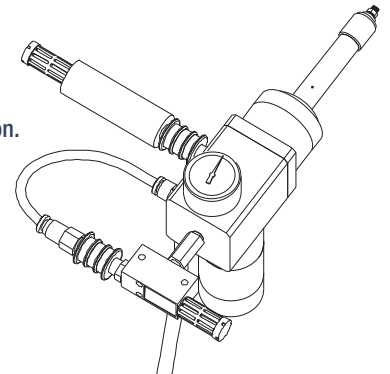


C)

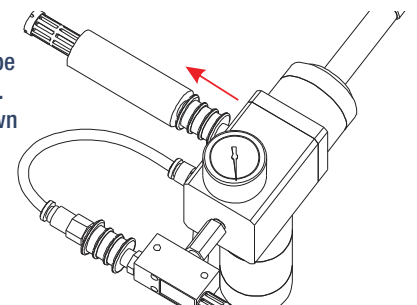
D) Slide vacuum valve to the right to start generating vacuum. Gauge will indicate vacuum level.



E) Close vacuum slide valve by shifting to the left. This will stop vacuum generation. Observe vacuum gauge. The vacuum level falls if the joint is leaking.

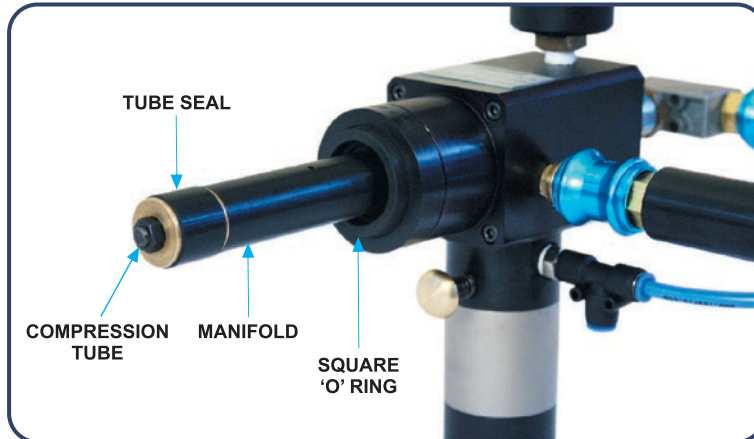


F) After testing the joint, release the tube seal by sliding the exhaust to the left. The Joint Testing Kit can be withdrawn after the tube seal collapses.





# JLD VACUUM JOINT LEAK DETECTOR OPERATING INSTRUCTIONS



Tube Size		Tube ID Range		Tube Seal Part No.	Tube Seal Diameter		Manifold with Square O ring	Compression Tube Part No.	Square O ring
O.D.	bwg	mm	inch		mm	inch			
5/8"	9	8.37	.330	JTK-300N	7.5	.295	JTM-15-125-5/8	JTK-15-125	JTK-16-5/8
	10-13	9.07 - 11.05	.357 - .435	JTK-370N	9	.354			
	14-15	11.67 - 12.23	.459 - .481	JTK-450N	11.6	.457			
	16-17	12.57 - 12.93	.495 - .509	JTK-470N	12.2	.480			
	18-19	13.39 - 13.75	.527 - .541	JTK-490N	13.3	.523			
	20-24	14.11 - 14.77	.555 - .581	JTK-530N	13.8	.543	JTM-15-312-5/8	JTK-15-312	
3/4"	9	11.55	.455	JTK-430N	10.8	.425	JTM-15-312-3/4-1	JTK-15-312	JTK-16-3/4
	10 - 11	12.25 - 12.95	.482 - .510	JTK-450N	11.6	.457	JTM-15-125-3/4	JTK-15-125	
	12 - 13	13.53 - 14.23	.532 - .560	JTK-490N	13.3	.523	JTM-15-312-3/4-2	JTK-15-312	
	14 - 15	14.85 - 15.41	.584 - .606	JTK-530N	13.8	.543			
	16 - 17	15.75 - 16.11	.620 - .634	JTK-570N	15.4	.606			
	18 - 24	16.57 - 17.95	.652 - .706	JTK-610N	16.5	.649			
7/8"	8-9	13.84 - 14.72	.544 - .579	JTK-530N	13.8	.543	JTM-15-312-7/8-1	JTK-15-312	JTK-16-7/8
	10-11	15.42 - 16.12	.607 - .635	JTK-570N	15.4	.606			
	12-13	16.7 - 17.4	.657 - .685	JTK-610N	16.5	.649			
	14-17	18.02 - 19.28	.709 - .759	JTK-690N	18	.708			
	18-19	19.74 - 20.1	.777 - .791	JTK-740N	19.7	.775			
	20-24	20.46 - 21.12	.805 - .831	JTK-790N	20.1	.791	JTM-15-312-7/8-2		
1"	8-9	17.02 - 17.9	.670 - .704	JTK-610N	16.5	.649	JTM-15-312-1	JTK-15-312	JTK-16-1
	10-11	18.6 - 19.3	.732 - .760	JTK-690N	18	.708			
	12-13	19.88 - 20.58	.782 - .810	JTK-740N	19.7	.775			
	14-15	21.2 - 21.76	.834 - .856	JTK-790N	20.1	.791			
	16-17	22.1 - 22.46	.870 - .884	JTK-840N	21.7	.854			
	18-19	22.92 - 23.28	.902 - .916	JTK-870N	22.9	.901			
1.1/8"	8-9	20.19 - 21.07	.795 - .829	JTK-790N	20.1	.791	JTM-15-312-1.1/8	JTK-15-312	JTK-16-1.1/8
	10-11	21.77 - 22.47	.857 - .884	JTK-840N	21.7	.854	JTM-15-405-1.1/8	JTK-15-405	
	12-13	23.05 - 23.75	.907 - .935	JTK-870N	22.9	.901			
	14-15	24.37 - 24.93	.959 - .981	JTK-890N	23.3	.917			
	16-17	25.27 - 25.63	.994 - 1.009	JTK-980N	25.2	.992			
	18-19	26.09 - 26.45	1.027 - 1.041	JTK-990N	26.0	1.024			
	20-24	26.81 - 27.47	1.055 - 1.081	JTK-1040N	26.8	1.055			
1.1/4"	8-11	23.37 - 25.65	.920 - 1.01	JTK-890N	23.3	.917	JTM-15-405-1.1/4	JTK-15-405	JTK-16-1.1/4
	12-13	26.23 - 26.93	1.032 - 1.060	JTK-990N	26.0	1.024			
	14-17	27.55 - 28.81	1.084 - 1.134	JTK-1090N	27.5	1.082			
	18-24	29.27 - 30.65	1.152 - 1.206	JTK-1100N	29.2	1.149			