

5TH EDITION

INTRODUCING USA INDUSTRIES' BEST-IN-CLASS  
PIPING ISOLATION & TESTING PLUG

**GRIPSAFE<sup>®</sup> ST**

see Section 1 - Page 12

**USA  
INDUSTRIES**



SINCE 1982

# PRODUCT CATALOG

Piping Isolation & Testing Products • Tube Plugs • Orifice Plates  
Heat Exchanger Tools & Tooling • Custom Machining



PADDLE BLINDS & SPACERS, BLIND FLANGES, STORAGE • PIPE PLUGS FOR ISOLATION & TESTING • BLEEDER CLEANERS, BLEED RINGS • ENGINEERED, METAL TAPERED & NON-METAL TYPE TUBE PLUGS  
SHOULDER PLUGS & GASKETS • UNIVERSAL, PADDLE & RTJ TYPE ORIFICE PLATES, RESTRICTION ORIFICE UNIONS • HEAT EXCHANGER TOOLS & TOOLING • MUCH MORE!

[www.USAIndustries.com](http://www.USAIndustries.com) | [info@USAIndustries.com](mailto:info@USAIndustries.com) | (713) 941-3797 | (800) 456-8721

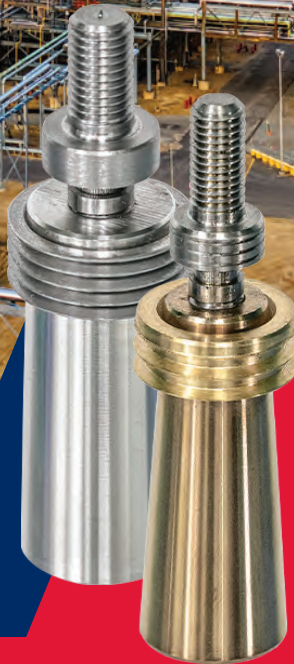


# **SNAP IT<sup>®</sup>** **ENGINEERED TUBE PLUGS**

***CUT YOUR DELIVERY TIME FROM WEEKS,  
TO JUST DAYS***



***See How Fast  
We Can Deliver!***



**SNAP IT<sup>™</sup>**  
**JR & SR**  
**ENGINEERED TUBE PLUGS**

***The best solution for permanently sealing leaking tubes in  
heat exchangers, boilers, and condensers!***

***800-456-8721 | [sales@USAIndustries.com](mailto:sales@USAIndustries.com)***

**Easy Hydraulic Installation • ASME PCC-2 Compliant • SR Model Rated Up To 7000 PSIG  
• Lot Tested For MAXIMUM QUALITY • No Tube Sheet Damage or Welding Required**



# TABLE OF CONTENTS

## SECTION PAGE

About USA Industries

PI - 4

<b>SECTION 1 - PIPING PRODUCTS</b>	<b>PI (21 pages)</b>
Paddle Blinds/Blanks, Spacers, Blind Flanges	6 - 10
<b>INTRODUCING</b> GripSafe® <sup>ST</sup> Isolation and Testing Pipe Plugs	11
GripSafe <sup>ST</sup> Features & Benefits	13 - 14
GripSafe <sup>ST</sup> Model Application Sheets	
• GripSafe <sup>ST</sup> Double Block and Bleed (DBB)	15
• GripSafe <sup>ST</sup> Outboard Retraction Blocking (ORB)	16
• GripSafe <sup>ST</sup> Inboard Insertion Blocking (IIB)	17
Conventional Pipe Plug Products	18 - 21
Custom Engineered Isolation Plug Accessories	21
Bleed Rings / Drip Rings / Vent Rings	22
Bleeder Cleaners / Rod Out Tools	23
PIPE SCHEDULE CHART	24
<b>SECTION 2 - INVENTORY STORAGE SOLUTIONS</b>	<b>SS (4 pages)</b>
EZ Lock Blind Rack®	26
EZ Lock Blind Flange Rack®	27
EZ Store Blind Flange Racks™ (Horizontal & Vertical Stacking Units)	28
EZ Store Inventory Containers™	29
On-Sight & Remote Managed Inventory Services	30
<b>SECTION 3 - ORIFICE PLATES</b>	<b>OP (6 pages)</b>
Introduction	31
Bore Types	32
Plate Types (Universal/Series 500, Series 520 Paddle Plates, Series 560 & 590 Plate Holders, Restriction Orifice Unions)	33 - 34
Flanges & Holding Blocks	35
Restriction Orifice Unions	36
<b>SECTION 4 - HEAT EXCHANGER, CONDENSER, BOILER TOOLS</b>	<b>HE (31 pages)</b>
Heat Exchanger & Condenser Tube Expanders	41 - 50
Tube End Facers, Tube Guides, Tube Sheet Hole Brush, Tube End Flare	51
Pneumatic & Electric Roll Motors	52 - 53
Tube Leak Testing Equipment	54 - 57
Tube Pullers	58 - 60
Tube Cutters	60 - 61
Collapsing / Knockout Tools	62
Pneumatic or Electric Tube Beveling Machines, Cutting Blades	63
Tube Cleaning Equipment & Accessories	64 - 68
<b>SECTION 5 - TUBE PLUGS</b>	<b>TP (16 pages)</b>
Introduction	71
Snap It® Jr. and Sr. Engineered Plugs & System Plugging Accessories	72 - 77
Metal Tapered Plugs	78
Two-Piece Metal Tapered Plugs	79
Non-Metal Phenolic / Micarta / Wood Tapered Plugs	80
Cork Plugs	80
Rubber Tapered Plugs	81
Shoulder / Header Plugs	82
EZ Torque® Sure Seal Header Gaskets	83
Low & High Pressure Single & Double Seal Neoprene Plugs	84
Threaded Metal Tapered Plugs	85
Zinc Anode Plugs / Pencil Zincs	85
TUBE GAUGE CHART	86

M-USA-PRODUCT-CATALOG-5.1

**IN-STOCK ITEMS  
SHIP SAME DAY**

**(713) 941-3797 • Toll Free: (800) 456-8721**  
**www.USAINdustries.com**





## ABOUT US

As an **ISO 9001:2015** certified manufacturer and supplier, we operate facilities in Texas and Louisiana. Our products and services extend to oil and gas refineries, liquefied natural gas (LNG), chemical, petrochemical, pharmaceutical, power generation, pipeline, engineering, procurement, construction (EPC's) and other various industrial process manufacturing facilities globally. We specialize in designing, manufacturing, and supplying critical pipe and tube products that ensure the safety and efficiency of plant Turnarounds, Shutdowns, Maintenance & Repairs, and Capital Projects.

## OUR MISSION

To rapidly deliver essential products & innovative solutions to our customers.

## OUR COMPANY'S CORE VALUES



**TRUST**



**SUPPORT**



**COMMUNICATION**



**COLLABORATION**



**CREATIVE SOLUTIONS**

At USA Industries, we believe an accountable workplace is built upon a foundation of ***trust***. We support one another and value open, honest ***communication***. We meet the needs of each other and our customers through ***collaboration*** and ***creative solutions***. These values are foundational in all of our people and our core processes.

## OUR CUSTOMERS

Our customers include owner-operators, resellers, contractors, and OEMs. We recognize the challenges in maintaining and repairing industrial facilities, and our product specialists and shop staff are available 24/7, 365 days a year to discuss emergency needs and fulfill orders. Understanding the unique requirements of our industrial customers, we also offer custom machining services with quick turnaround times.

**IN-STOCK ITEMS  
SHIP SAME DAY**

**(713) 941-3797 • Toll Free: (800) 456-8721**  
**www.USAIndustries.com**





(Patent No. 9,546,889)

## When it comes to isolating or testing piping, ***Think of USA Industries First!***

We maintain a substantial inventory of blind flanges and isolation and hydrotest thickness paddle blinds, with sizes ranging from 1/2" to 96" and flange ratings spanning 150# to 2500#. Our assortment of pipe plugs includes the exclusive and patented GripSafe®ST models, crafted for high-pressure environments, alongside our standard Double Block & Bleed, Flange Weld Test, Industrial Isolation, Grip Type, plumbers-type Inflatable Balloons, and Wing Nuts. We also manufacture bleed rings, rodout tools, and the cutting-edge EZ Lock Blind Rack® for paddle blind storage solutions.



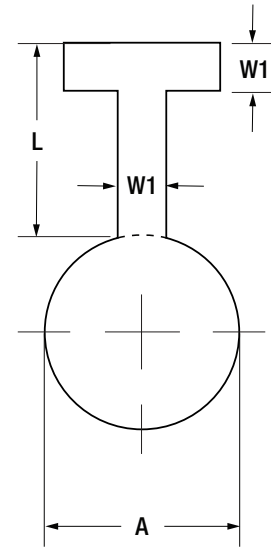
**IN-STOCK ITEMS  
SHIP SAME DAY**

**(713) 941-3797 • Toll Free: (800) 456-8721**  
**www.USAIindustries.com**



## PADDLE BLINDS - ISOLATION & HYDROTEST THICKNESSES

See chart on page PI-7 for our standard thicknesses or specify your own.



- Sizes 1/2" — 96"
- Thickness options: Isolation, Hydro and Custom
- Pressure Rating Class options: 150# — 2500#
- Material options: Stocked in 516 - Gr70 carbon steel & 304/316 stainless steels; can supply any alloy
- Finish options: Mill or Serrated (125-250 RMS)
- Face options: Flat, Raised, RTJ Male or Female (Octagonal or Oval gasket types)
- Handle options: T, 7, Straight
- Meets ASME standards: B16.48 • B16.5 • B16.20 • B16.47 (For larger diameter flanges)
- Products feature easily identifiable coloring, markings, and handles
- Can be made to your customized specifications
- Q/A & Q/C: manufactured under our strict ISO 9001: 2015 Quality Assurance Program

HANDLE COLORS					
150#	RED	300#	BLUE	600#	YELLOW
900#	GREEN	1500#	WHITE	2500#	ORANGE



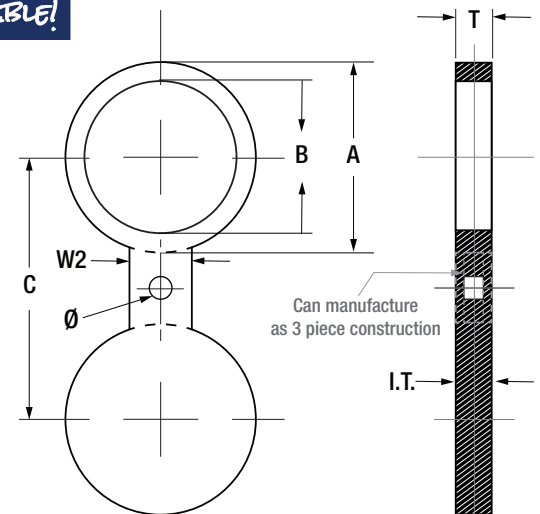
### When Ordering Specify:

- Size
- Flange Rating
- Mill or Serrated Face
- Thickness (Isolation, Hydro or custom)
- Handle Type (Paddle Blinds only)
- Material
- Quantity
- Delivery Date

## SPECTACLE / FIGURE-8 BLINDS



- Sizes 1/2" — 96"
- Pressure Rating Class options: 150# — 2500#
- Material options: Stocked in 516 - Gr70 carbon steel & 304/316 stainless steels; can supply any alloy
- Finish options: Mill or Serrated (125-250 RMS)
- Face options: Flat, Raised, RTJ Male or Female (Octagonal or Oval gasket types)
- Meets ASME standards: B16.48 • B16.5 • B16.20 • B16.47 (For larger diameter flanges)
- Products feature easily identifiable coloring, markings, and handles
- Can be made to your customized specifications
- Q/A & Q/C: manufactured under our strict ISO 9001: 2015 Quality Assurance Program



**IN-STOCK ITEMS  
SHIP SAME DAY**

**(713) 941-3797 • Toll Free: (800) 456-8721**  
**www.USAINdustries.com**





# PADDLE BLIND & SPACER DIMENSIONS + THICKNESS CHART

LINE SIZE (in.)	ISO.	150#			300#			600#			900#			1500#			2500#					
		THK	O.D.	I.D.	THK	O.D.	I.D.	THK	O.D.	I.D.	THK	O.D.	I.D.	THK	O.D.	I.D.	THK	O.D.	I.D.	THK		
1/2	5/16	1-3/4	5/8	5/16	2	5/8	5/16	2	5/8	5/16	2-3/8	5/8	5/16	2-3/8	5/8	5/16	2-5/8	5/8	5/16	2-5/8	5/8	3/8
3/4	5/16	2-1/8	7/8	5/16	2-1/2	7/8	5/16	2-1/2	7/8	5/16	2-5/8	7/8	5/16	2-5/8	7/8	3/8	2-7/8	7/8	3/8	2-7/8	7/8	3/8
1	5/16	2-1/2	1-1/8	5/16	2-3/4	1-1/8	5/16	2-3/4	1	5/16	3	1	5/16	3	1	3/8	3-1/4	1	3/8	3-1/4	1	3/8
1-1/4	5/16	2-7/8	1-5/8	5/16	3-1/8	1-5/8	5/16	3-1/8	1-3/8	3/8	3-3/8	1-3/8	3/8	3-3/8	1-3/8	3/8	4	1-3/8	1/2	4	1-3/8	1/2
1-1/2	5/16	3-1/4	1-7/8	5/16	3-5/8	1-7/8	5/16	3-5/8	1-5/8	3/8	3-3/4	1-5/8	3/8	3-3/4	1-5/8	1/2	4-1/2	1-5/8	5/8	4-1/2	1-5/8	5/8
2	5/16	4	2-3/8	5/16	4-1/4	2-3/8	3/8	4-1/4	2-1/8	3/8	5-1/2	2-1/8	1/2	5-1/2	2	1/2	5-5/8	2	5/8	5-5/8	2	5/8
2-1/2	5/16	4-3/4	2-7/8	5/16	5	2-7/8	3/8	5	2-5/8	1/2	6-3/8	2-5/8	1/2	6-3/8	2-1/2	5/8	6-1/2	2-3/8	3/4	6-1/2	2-3/8	3/4
3	5/16	5-1/4	3-1/2	5/16	5-3/4	3-1/2	3/8	5-3/4	3-1/4	1/2	6-1/2	3-1/4	5/8	6-3/4	3	3/4	7-5/8	3	7/8	7-5/8	3	7/8
3-1/2	5/16	6-1/4	4	3/8	6-3/8	4	3/8	6-1/4	3-3/4	5/8												
4	5/16	6-3/4	4-1/2	3/8	7	4-1/2	1/2	7-1/2	4-1/4	5/8	8	4-1/4	3/4	8-1/8	4	7/8	9-1/8	4	1-1/8	9-1/8	4	1-1/8
5	5/16	7-5/8	5-1/2	3/8	8-3/8	5-1/2	5/8	9-3/8	5-3/8	3/4	9-5/8	5-1/4	7/8	9-7/8	5	1-1/8	10-7/8	5	1-3/8	10-7/8	5	1-3/8
6	5/16	8-5/8	6-5/8	1/2	9-3/4	6-5/8	5/8	10-3/8	6-3/8	7/8	11-1/4	6-3/8	1	11	6	1-3/8	12-3/8	6	1-5/8	12-3/8	6	1-5/8
8	5/16	10-7/8	8-5/8	1/2	12	8-5/8	7/8	12-1/2	8-3/8	1-1/8	14	8-3/8	1-3/8	13-3/4	8	1-5/8	15-1/8	7-7/8	2-1/8	15-1/8	7-7/8	2-1/8
10	5/16	13-1/4	10-3/4	5/8	14-1/8	10-3/4	1	15-5/8	10-3/8	1-3/8	17	10-3/8	1-5/8	17	10	2	18-5/8	9-3/4	2-5/8	18-5/8	9-3/4	2-5/8
12	5/16	16	12-3/4	3/4	16-1/2	12-3/4	1-1/8	17-7/8	12-3/8	1-5/8	19-1/2	12-3/8	1-7/8	20-3/8	12	2-3/8	21-1/2	11-3/8	3-1/8	21-1/2	11-3/8	3-1/8
14	5/16	17-5/8	14	3/4	19	14	1-1/4	19-1/4	13-5/8	1-3/4	20-3/8	13-5/8	2-1/8	22-5/8	13-1/8	2-5/8						
16	5/16	20-1/8	16	7/8	21-1/8	16	1-1/2	22-1/8	15-5/8	2	22-1/2	15-5/8	2-3/8	25-1/8	15	3						
18	5/16	21-1/2	18	1	23-3/8	18	1-5/8	24	17-5/8	2-1/8	25	17-5/8	2-5/8	27-5/8	16-7/8	3-3/8						
20	5/16	23-3/4	20	1-1/8	25-5/8	20	1-3/4	26-3/4	19-1/2	2-1/2	27-3/8	19-1/2	2-7/8	29-5/8	18-7/8	3-3/4						
22	5/16	25-7/8	22	1-1/4	27-5/8	22	1-7/8	28-3/4	21-1/2	2-3/4												
24	5/16	28-1/8	24	1-1/4	30-3/8	24	2	31	23-1/2	2-7/8	32-7/8	23-1/2	3-1/2	35-3/8	22-5/8	4-3/8						

## MSS SP-44 SERIES "A" SPECS

26	5/16	30-3/8	26	1-5/8	32-3/4	26	2-1/2	34	26	3-1/2	34-5/8	26	4-3/8
28	5/16	32-5/8	28	1-3/4	35-1/4	28	2-3/4	35-7/8	28	3-3/4	37-1/8	28	4-5/8
30	5/16	34-5/8	30	1-7/8	37-3/8	30	2-7/8	38-1/8	30	4-1/8	39-5/8	30	5
32	5/16	36-7/8	32	2	39-1/2	32	3-1/8	40-1/8	32	4-3/8	42-1/8	32	5-3/8
34	5/16	38-7/8	34	2-1/8	41-1/2	34	3-1/4	42-1/8	34	4-5/8	44-5/8	34	5-5/8
36	5/16	41-1/8	36	2-1/4	43-7/8	36	3-1/2	44-3/8	36	4-7/8	47-1/8	36	6
38	5/16	43-5/8	38	2-3/8	41-3/8	38	3-5/8	43-3/8	38	5-1/8	47-1/8	38	6-1/4
40	5/16	45-5/8	40	2-1/2	43-3/4	40	3-7/8	45-3/8	40	5-3/8	49-1/8	40	6-5/8
42	5/16	47-7/8	42	2-5/8	45-3/4	42	4	47-7/8	42	5-5/8	51-1/8	42	7
44	5/16	50-1/8	44	2-3/4	47-7/8	44	4-1/4	49-7/8	44	6	53-3/4	44	7-1/4
46	5/16	52-1/8	46	2-7/8	50	46	4-1/2	52-1/8	46	6-1/4	56-3/8	46	7-5/8
48	5/16	54-3/8	48	3	52	48	4-5/8	54-5/8	48	6-1/2	58-3/8	48	8
50	5/16	56-3/8	50	3-1/8	54-1/8	50	4-7/8	56-7/8	50	6-3/4			
52	5/16	58-5/8	52	3-1/4	56-1/8	52	5	58-7/8	52	7			
54	5/16	60-7/8	54	3-1/4	58-5/8	54	5-1/4	61-1/8	54	7-1/4			
56	5/16	63-1/8	56	3-3/8	60-5/8	56	5-3/8	63-3/8	56	7-1/2			
58	5/16	65-3/8	58	3-1/2	62-5/8	58	5-5/8	65-3/8	58	7-7/8			
60	5/16	67-3/8	60	3-5/8	64-5/8	60	5-3/4	68-1/8	60	8-1/8			

## API-605 SERIES "B" SPECS

26	5/16	28-7/16	26	1-5/8	30-1/4	26	2-1/2	30	26	3-1/2	32-7/8	26	4-3/8
28	5/16	30-7/16	28	1-3/4	32-3/8	28	2-3/4	32-1/8	28	3-3/4	35-3/8	28	4-5/8
30	5/16	32-7/16	30	1-7/8	34-3/4	30	2-7/8	34-1/2	30	4-1/8	37-5/8	30	5
32	5/16	34-9/16	32	2	36-7/8	32	3-1/8	36-5/8	32	4-3/8	39-7/8	32	5-3/8
34	5/16	36-11/16	34	2-1/8	39	34	3-1/4	39-1/8	34	4-5/8	42-1/8	34	5-5/8
36	5/16	38-3/4	36	2-1/4	41-1/8	36	3-1/2	41-1/8	36	4-7/8	44-1/8	36	6
38	5/16	41	38	2-3/8	43-1/8	38	3-5/8						
40	5/16	43	40	2-1/2	45-1/8	40	3-7/8						
42	5/16	45	42	2-5/8	47-1/8	42	4						
44	5/16	47	44	2-3/4	49-1/8	44	4-1/4						
46	5/16	49-5/16	46	2-7/8	51-3/4	46	4-1/2						
48	5/16	51-5/16	48	3	53-3/4	48	4-5/8						
50	5/16	53-5/16	50	3-1/8	55-3/4	50	4-7/8						
52	5/16	55-5/16	52	3-1/4	57-3/4	52	5						
54	5/16	57-1/2	54	3-1/4	60-1/8	54	5-1/4						
56	5/16	59-1/2	56	3-3/8	62-5/8	56	5-3/8						
58	5/16	62-1/16	58	3-1/2	65-1/16	58	5-5/8						
60	5/16	64-1/16	60	3-5/8	67-1/16	60	5-3/4						

## METHODOLOGY

Line sizes up to 96" are available. Standard Isolation thickness is 5/16" (+/-1/16). Any thickness rating or alloy is available upon request.

Sizes and thicknesses meet the following specifications ASME 16.48, ASME 16.5, ASME B16.47

Blank thicknesses over 24 NPS were calculated using the equation for blanks in ASME B31.3 as follows:

$$T = d \sqrt{(3P) / (16SE)}$$

d = I.D. of ring gasket (in.)  
 T = Blank Thickness (in.)  
 S = 23,300psi  
 E = 1.00  
 P = Design Gauge Pressure psi.

S (Basic Allowable Stress) and E (Quality Factor) values were determined from tables A1 and A1-A from B31.3 for 516-Gr 70 material with the temperature range of -20 to 100° Fahrenheit. This calculation does not take into consideration any required corrosion allowance if needed.

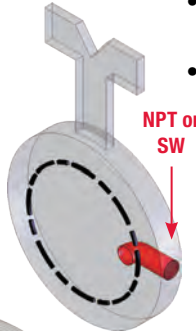


**IN-STOCK ITEMS SHIP SAME DAY**

**(713) 941-3797 • Toll Free: (800) 456-8721**  
**www.USAIndustries.com**



Special Handle  
Designating Vent



## EZ VENT® SLIP BLINDS

- The EZ Vent slip blind is used to block one side of your flange while allowing access to vent the other side
- Excellent for use when there is not a valve on your piping at that location
- The vent is commonly used to verify there is zero energy in the line; vent off any pressure that has leaked by upstream valve; as an entry point for hydrotesting
  - Sizes: 1/2" to 96"
  - Available as a spectacle or paddle blind
  - Can be rated (with additional thickness for vent)
  - Port options: NPT or SW
  - Multiple ports can be added; venting one or both sides
  - Stocked metals: 516 - Gr70 carbon steel and 304/316 stainless steels; can supply any alloy
  - Finish options: Mill or Serrated (125 / 250 RMS)
  - Face options: Flat or RTJ Male or Female with Oval or Octagonal gasket types
  - Each EZ Vent blind is stamped with the line size and flange rating; carbon steel has color coded handles for easy rating identification
  - Can be made to your customized specifications

SW/NPT NPS (in.)	Recommended Min. Blind Thickness For SW (in)	Recommended Min. Blind Thickness For NPT (in)
1/8	3/4	1/2
1/4	7/8	3/4
3/8	1	7/8
1/2	1-1/4	1
3/4	1-1/2	1-1/4
1	1-3/4	1-1/2
1-1/4	2-3/16	1-3/4
1-1/2	2-7/16	2
2	3	2-1/2

### When Ordering Specify:

- Size
- Flange Rating
- Thickness (Isolation, Hydro or custom)
- Mill or Serrated Finish
- # of Ports
- Location of NPT or SW ports
- Material
- Quantity
- Delivery Date

Machine Finish may require increased thickness.

## EZ PURGE® SLIP BLINDS



Special Handle  
Designating  
Purge  
Blind



In line purging applications, the traditional method typically involves using a slip blind along with multiple spacers placed between the blind and the gapped flange. While this approach can create a purging area, it presents several potential issues that could lead to unsafe practices or equipment damage.

USA Industries' **EZ Purge** blinds are designed to resolve these challenges. Our purge blinds are

- Sizes: 1/2" - 96"
- Flange Rating Classes: 150#, 300#, 600#, 900#, 1500#, 2500#
- Standard blind is 1/2" thick with a 1/4" deep channel, available in widths of 3/4", 1", or 1 1/2", depending on the size of the blind
- Stocked metals: 516 - Gr70 carbon steel and 304/316 stainless steels; can supply any alloy
- Carbon steel blinds are painted black with a color coded handle to easily identify flange rating, and labeled with size and rating for quick identification
- Can be made in RTJ
- Q/A & Q/C — manufactured under our ISO 9001: 2015 Quality Assurance Program

clearly identifiable and can be customized to meet any specific requirements. The standard model features a 1/2" thick isolation slip blind with a 1/4" deep channel, with custom thicknesses available upon request.

The gasket area is approximately 50% of the purge area, ensuring proper distribution of sealing force. We also offer custom configurations to accommodate your unique purge flow needs.

### When Ordering Specify:

- Size
- Flange Rating
- Mill or Serrated Face
- Material
- Quantity
- Delivery Date

IN-STOCK ITEMS  
SHIP SAME DAY

(713) 941-3797 • Toll Free: (800) 456-8721  
[www.USAIndustries.com](http://www.USAIndustries.com)

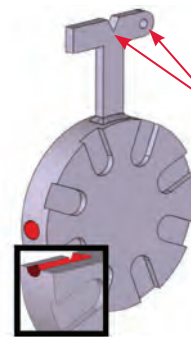




## EZ VENT-PURGE BLIND®

**Our EZ Vent-Purge Blind combines the benefits of BOTH the EZ Purge® and EZ Vent® slip blinds as shown on page PI-8.**

- Sizes: 1/2" - 96"
- Flange Pressure Rating Classes: 150#, 300#, 600#, 900#, 1500#, 2500#
- Standard blind is 1/2" thick with a 1/4" deep channel, available in widths of 3/4", 1", or 1 1/2", depending on the size of the blind
- Stocked metals: 516 - Gr70 carbon steel and 304/316 stainless steels; can supply any alloy
- Carbon steel blinds are painted black with a color coded handle to easily identify flange rating, and stamped with size and rating
- Can be made in RTJ
- Q/A & Q/C — manufactured under our ISO 9001: 2015 Quality Assurance Program



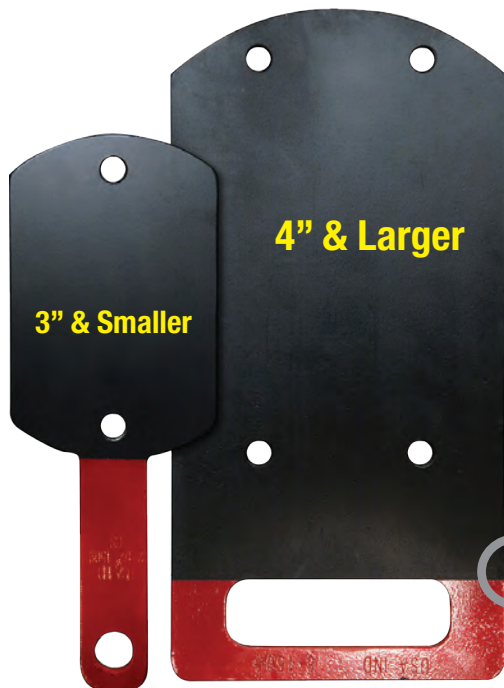
Special Handle Designating EZ Vent-Purge Slip Blind



### When Ordering Specify:

- Size
- Flange Rating
- Thickness (Isolation, Hydro or custom)
- Mill or Serrated Face
- # of Ports
- NPT or SW Port(s) Location(s)
- Material
- Quantity
- Delivery Date

## EZ GUILLOTINE™ SLIP BLINDS



**Guillotine Blinds** are used to provide an isolation source on the flare header side of a PSV prior to removal of the PSV for repair.

A blind flange is then placed over and bolted using remaining bolt holes to ensure pressure holding capabilities.

Available in Carbon Steel and Stainless Steel or other alloys to meet your specifications

HANDLE COLORS					
150#	RED	300#	BLUE	600#	YELLOW
900#	GREEN	1500#	WHITE	2500#	ORANGE

### When Ordering Specify:

- Size
- Flange Rating
- Thickness
- Color coded handle\*
- Material
- Quantity
- Delivery Date

**IN-STOCK ITEMS  
SHIP SAME DAY**

**(713) 941-3797 • Toll Free: (800) 456-8721**  
**www.USAIndustries.com**





# SUPERIOR TECHNOLOGY.



**The most significant innovation in piping isolation and testing technology in over 65 years!**

#### **INDEPENDENTLY ACTUATING WEDGE SYSTEM**

Equally distributed force across all wedges ensures optimal surface contact & holding abilities, regardless of pipe ovality or surface abnormalities. System features proprietary Auto-Locking technology on 2 of 3 plug models.

#### **TRI-PLY® SEALS**

Proprietary seal technology uses a urethane blend that maximizes sealing ability, requires less torque to seal, reduces seal creep, offers a wider sealing area and longer seal life than conventional urethane seals.

#### **GRITLOCK® GRIPPING WEDGES**

Manufactured using a highly dense, durable, and non-contaminating alloy, Gritlock contains thousands of microscopic gripping points that are engineered to mitigate pipe damage.

#### **ALUMINUM & STAINLESS ALLOY CHASSIS**

On average, GripSafe ST plugs weigh less than competitive products. Significant weight differences, reaching upwards of 50%, exist on larger plug sizes.

#### **APPLICATIONS INCLUDE:**

- Pipe Testing • Flange Weld Testing • Pipe Spool Testing • Line Purging
- Isolation • Positive Isolation Monitoring • Pre/Post Weld Operations



## GRIPSAFE<sup>®</sup> ST



INTRODUCING

# GRIPSAFE<sup>®</sup> ST

For over sixty years, industries have relied on conventional isolation and testing plug technology despite known incidents of ejections and plug movements. USA Industries now introduces its GripSafe ST line, revolutionizing plug technology with cutting-edge advancements. The GripSafe ST plugs boast a patented independent wedge gripping system, ensuring unparalleled holding strength while minimizing risks to personnel and equipment. This innovative redesign of traditional plug designs positions the GripSafe ST line as the global standard for safety, reliability, and technological sophistication.



**SUPERIOR**  
**TECHNOLOGY**



**GRIPSAFE<sup>®</sup> ST INNOVATION**

Manufactured Exclusively by USA Industries an ISO 9001:2015 Certified Company

For the latest patent and trademark information, go to:  
<https://www.USAIindustries.com/gripsafe-patents-trademarks>  
or scan QR code to the right with your mobile phone



**WARNING:**

**A SPECIAL WORD OF CAUTION:** Pressure testing can be an extremely hazardous operation and safety precautions should be strictly adhered to.

All connections, valves, flanges and other fittings should be checked for suitability to test pressure. Verify the line ID & Plug Range match. Most importantly — Never stand or pass in front of any test plug or other enclosure while test is in progress. If plug discharges during a test, serious injury or death could occur.

**IN-STOCK ITEMS  
SHIP SAME DAY**

**(713) 941-3797 • Toll Free: (800) 456-8721**  
**www.USAIindustries.com**



# GRIPSAFE<sup>®</sup> ST FAMILY OF ISOLATION & TEST PLUGS

## KEY FEATURES & BENEFITS

### 1 WORLDS MOST ADVANCED ENGINEERED PIPE PLUG



#### ■ Patented Technology Supercedes Old Fashioned Design Used For The Past 65+ Years\*

- US & International Patents - 14
- US & International Trademarks - 7
- Other US and Foreign Patents Pending

#### ■ 7 Years of Research & Development With In-House Engineering

- Over 4000 Load & Pressure Tests
- 67 Years of Professional Industrial Design Team Engineering Experience

#### ■ Proven Field Success Since 2017

#### ■ Confident GripSafe ST Will Be the New Industry Standard

\*Patent No. 2,855,003 - October 7, 1958; Ellis B. Thaxton

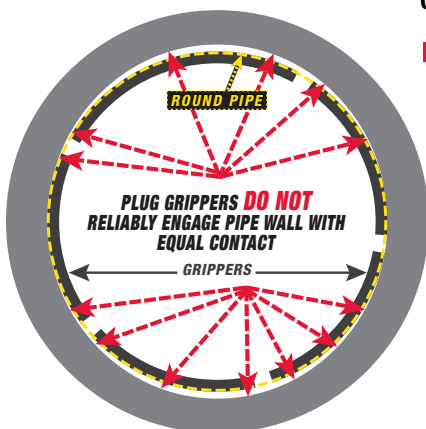
#### ■ Design Validation Testing

- 2017 - present
- 80 unique test plans conducted on various stocked sizes and schedules, equating to 1000's of repeatable tests



### 2 INDEPENDENTLY ACTUATING WEDGE SYSTEM

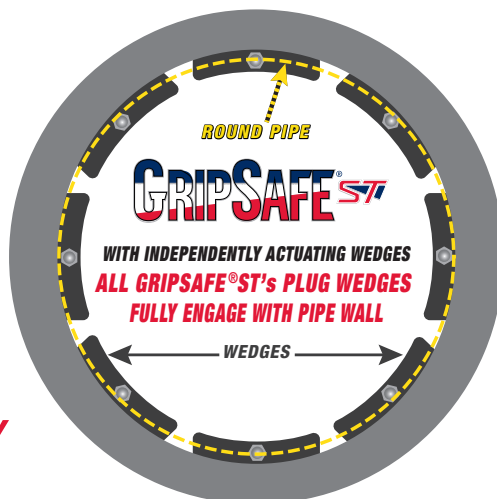
*Competitive Products*



#### ■ Equal Loading Across All Wedges Ensures Optimal Surface Contact & Holding Capabilities

#### ■ Overcomes Ovality (*out-of-round pipe*)

- Wedges self adjust to find pipe wall



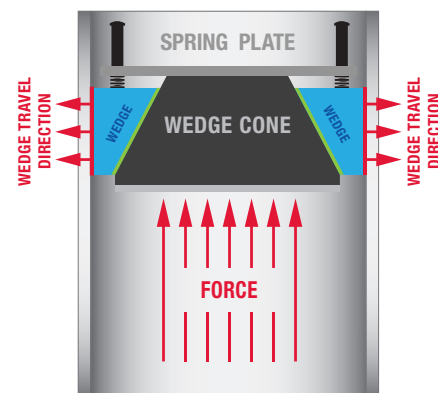
#### ■ Superior Self Gripping

- As force increases, the wedge's hold becomes stronger against the pipe wall

#### ■ No Damaging Pressure Points

- Force is distributed across entire wedge surface

#### ■ Automatic Gripping Upon Insertion On 2-Out-Of-3 Plug Models



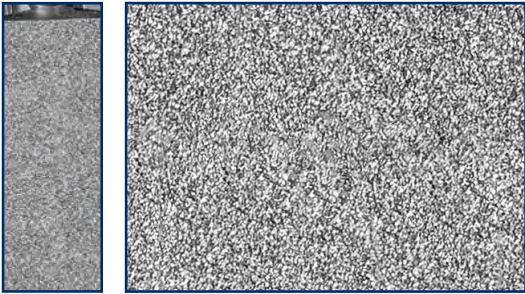
**SUPERIOR  
TECHNOLOGY**

**IN-STOCK ITEMS  
SHIP SAME DAY**

(713) 941-3797 • Toll Free: (800) 456-8721  
[www.USAIndustries.com](http://www.USAIndustries.com)



### 3 GRIPPING WEDGES

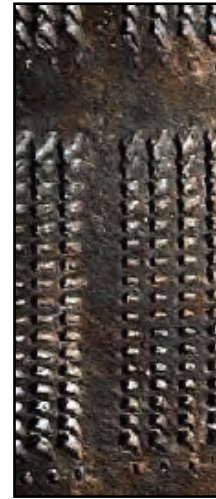


GripSafe ST uses a specially designed wedge system that grips the pipe, and leaves virtually no scarring on the surface.



GripSafe ST

Competitive products that use serrated jaw-like grippers must bite into the pipe wall in order to hold the load. Feasibly, this degrades the pipe's integrity. Additional costs and time to rework, or to add temporary piping to compensate for damages during testing results.



Competitor A



Competitor B

■ **Secure Gripping With Proprietary Gritlock® Technology**

- Thousands of microscopic points of surface contact
- Highly dense and durable material
- At most, micro indentations are left behind
- Perform thousands of full hydro test cycles without diminished performance

■ **Leaves Pipe With Virtually No Surface Damage**

■ **Non-Contaminating Coating**

- Wedges are compatible with any alloy piping\*

\*\*After use in carbon steel pipe, eliminate the chance for carbon remnants being passed on in passivated/clean stainless steel pipe by simply changing wedges or by using another GSST plug not previously introduced to carbon steel pipe.

#### COMPETITIVE WEDGE TESTING

TEST SPECS: SCH 80 PLUGS, ASTM A106 GRADE B STEEL PIPE, PRESSURIZED TO 3,246PSI (FULL HYDROTEST PRESSURE)

### 4 TRI-PLY® SEALS

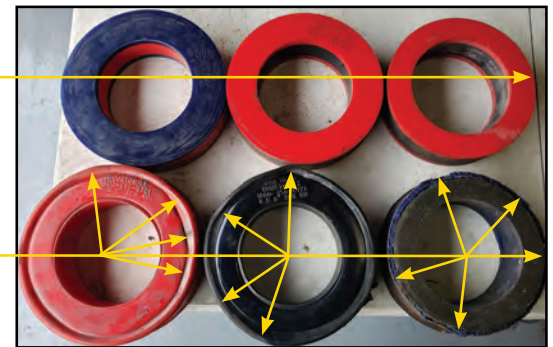


■ **Patented Proprietary Seal Technology**

- Reduces seal creep
- Less torque required to seal
- Proprietary urethane blend maximizes sealing ability
- Wider seal area over competitive designs
- Expansion range up to 3/8" for greater sealing capacity
- Longer seal life

#### TRI-PLY VS. TRADITIONAL URETHANE SEAL TESTS

• *Tri-Ply seals maintain their shape* when pushed beyond testing limits



• *Traditional urethane seals deform and flatten out* when pushed beyond testing limits. The flattening point is when seal expansion seizes, leaving the plug at higher risk for ejection at high pressures

### 5 ALUMINUM & STAINLESS STEEL BODY MATERIALS

■ **Less Weight (10" and larger plugs)**

- On average GripSafe ST plugs weigh less than competitive products. Significant weight differences exist as plug sizes increase, reaching upwards of **50% weight reductions**.



**IN-STOCK ITEMS  
SHIP SAME DAY**

(713) 941-3797 • Toll Free: (800) 456-8721  
[www.USAIndustries.com](http://www.USAIndustries.com)



# DOUBLE BLOCK AND BLEED (DBB) 3/4" TO 36"\*

RENTALS  
AVAILABLE!

## GRIPSAFE<sup>®</sup> ST

### SAFETY & RELIABILITY

**Instant Security.** With its exclusive patented design, GripSafe ST features an advanced self-gripping technology that mitigates the chance of plug ejection immediately upon insertion into the pipe, even before nuts are tightened.

**Superior Self-Gripping Performance.** The innovative system distributes equal loading across the gripping wedges ensuring maximum surface contact and holding capabilities. As pressure increases behind the plug, the wedges grip tighter. Even in pipe diameters that are asymmetrical, each wedge independently adapts to variances within the pipe. Coupled with its automatic gripping feature upon installation, GripSafe ST takes "self-gripping" to a new level.

**Lightweight Advantage.** GripSafe ST plugs weigh less on average than competitive products. Significant weight differences exist as plug sizes increase, reaching upwards of 50% weight reductions in larger sizes without sacrificing holding capabilities.

**Leaves Virtually No Surface Damage.** Unlike competitive products which rely on serrated jaws to bite into the pipe for holding purposes, GripSafe ST uses a specially designed wedge system that grips the pipe, while leaving virtually no surface scarring. GripSafe ST eliminates the need for a segment of sacrificial pipe, or the cleanup necessary to remove surface deformations other tools create.

**Non-Contaminating Solution.** GripSafe ST plugs utilize a proprietary texture on the gripping wedges that can be used on any metal type with no carbon contamination. Therefore, in contrast with other plugs, GripSafe ST requires no alternate parts for use in stainless and other alloy pipes where cross contamination is a concern.

### APPLICATIONS

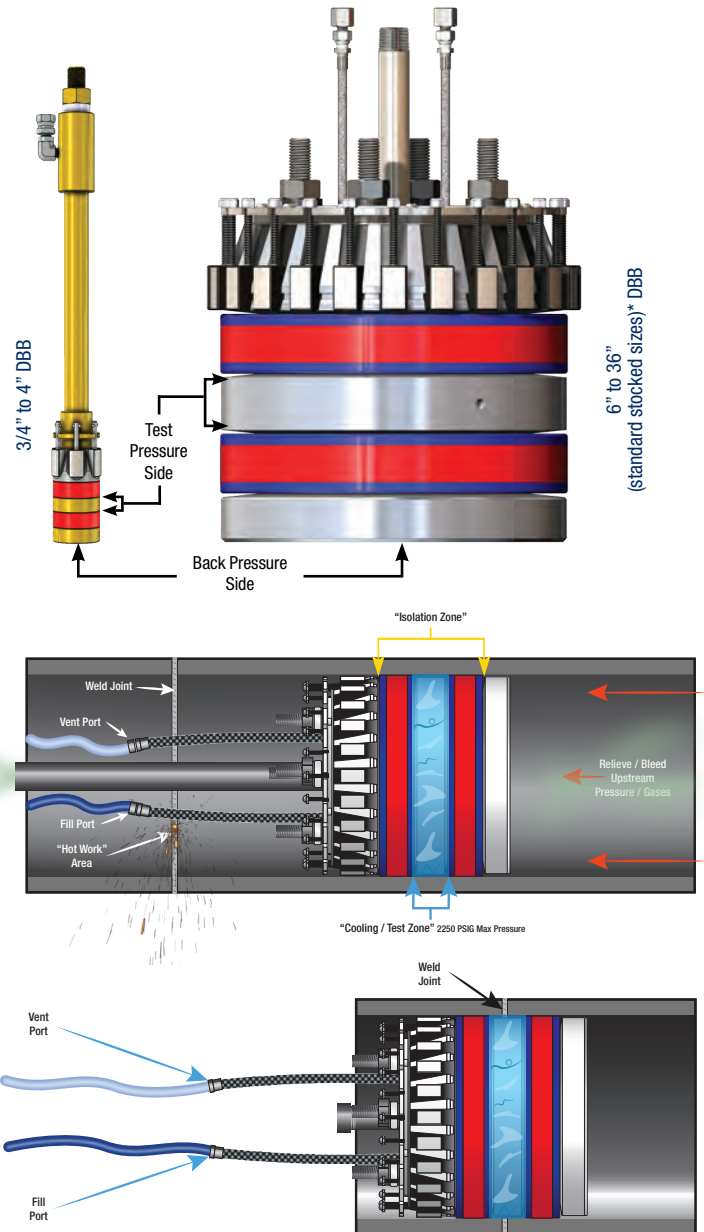
**Flange Weld Testing.** Pressure can be placed between the two seals to test weld-neck flanges by means of hydrostatic pressure, checking for hoop stress failure, weld leaks and/or pinhole leak paths while providing protection from any unexpected pressure discharge.

**Pre/Post Weld Operations.** Dual port design provides enhanced cooling by circulating water between the seals during pre/post weld processes (*on 6"+ models*).

**Isolation.** Increase safety by preventing exposure to hydrocarbon or other process leaks. Mitigate risk of injury to personnel in the event of inadvertent valve openings, valve leaks, or other pressure equipment failures upstream.

**Positive Isolation Monitoring.** Pressure between the two seals verifies seal integrity and ensures the plug's seals are effectively isolating the pipe.

**Line Purging.** Feed inert gases through the vent pipe, into a vessel, for back-purging welds or to remove oxygen for other processes.



**WARNING:**  
(See page PI-12)

\* Larger sizes and custom configurations available upon request

**When Ordering Specify:**

- GripSafe ST Plug Model Required
- Quantity
- Size
- Delivery Date
- Pipe Schedule

Scan QR code to go to GripSafe ST's webpage



IN-STOCK ITEMS  
SHIP SAME DAY

(713) 941-3797 • Toll Free: (800) 456-8721  
[www.USAIndustries.com](http://www.USAIndustries.com)



# OUTBOARD RETRACTION BLOCKING (ORB) 3/4" TO 36"\*



## SAFETY & RELIABILITY

**Instant Security.** With its exclusive patented design, GripSafe ST features an advanced self-gripping technology that mitigates the chance of plug ejection immediately upon insertion into the pipe, even before nuts are tightened.

**Superior Self Gripping Performance.** The innovative system distributes equal loading across the gripping wedges ensuring maximum surface contact and holding capabilities. As pressure increases behind the plug, the wedges grip tighter. Even in pipe diameters that are asymmetrical, each wedge independently adapts to variances within the pipe. Coupled with its automatic gripping feature upon installation, GripSafe ST takes "self-gripping" to a new level.

**Lightweight Advantage.** GripSafe ST plugs weigh less on average than competitive products. Significant weight differences exist as plug sizes increase, reaching upwards of 50% weight reductions in larger sizes without sacrificing holding capabilities.

**Leaves Virtually No Surface Damage.** Unlike competitive products which rely on serrated jaws to bite into the pipe for holding purposes, GripSafe ST uses a specially designed wedge system that grips the pipe, while leaving virtually no surface scarring. GripSafe ST eliminates the need for a segment of sacrificial pipe, or the cleanup necessary to remove surface deformations other tools create.

**Non-Contaminating Solution.** GripSafe ST plugs utilize a proprietary texture on the gripping wedges that can be used on any metal type with no carbon contamination. Therefore, in contrast with other plugs, GripSafe ST requires no alternate parts for use in stainless and other alloy pipes where cross contamination is a concern.

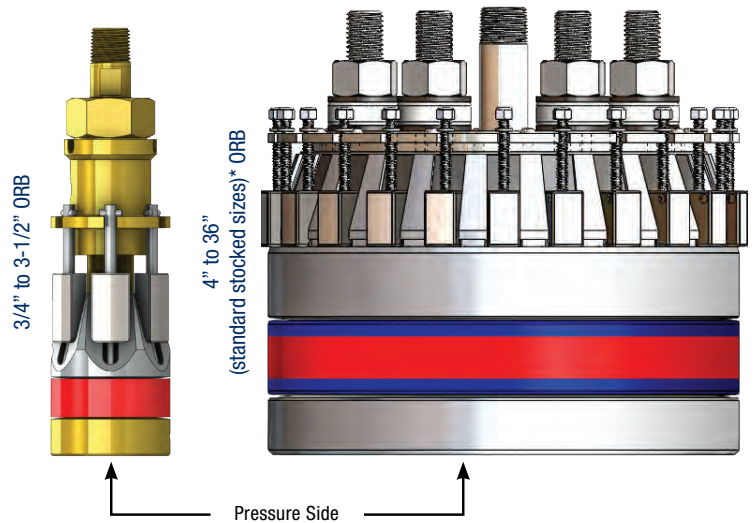
## APPLICATIONS

**Pipe Testing.** Test pipe sections without the need for flanges.

**Pipe Spool Testing.** Perform hydrostatic testing of pipe spools, eliminating the need for end caps and welding.

**Isolation.** Increase safety by preventing exposure to hydrocarbon or other process leaks. Mitigate risk of injury to personnel in the event of inadvertent valve openings, valve leaks, or other pressure equipment failures upstream.

**Line Purging.** Feed inert gases through the vent pipe, into a vessel, for back-purging welds or to remove oxygen for other processes.



Note: For 4" NPS, Pipe Schedules 120, 160, and XX require the smaller plug configuration.

\* Larger sizes and custom configurations available upon request



**WARNING:**  
(See page PI-12)

- When Ordering Specify:**
- GripSafe ST Plug Model Required
  - Size
  - Pipe Schedule
  - Quantity
  - Delivery Date

Scan QR code to go to GripSafe ST's webpage



**IN-STOCK ITEMS  
SHIP SAME DAY**

(713) 941-3797 • Toll Free: (800) 456-8721  
[www.USAIindustries.com](http://www.USAIindustries.com)





# INBOARD INSERTION BLOCKING (IIB) REVERSE PRESSURE 3/4" TO 24"\*

RENTALS  
AVAILABLE!

## SAFETY & RELIABILITY

**Unmatched Security.** With its exclusive patented design, GripSafe ST features an advanced self-gripping technology that mitigates the risk of plug movement downstream upon installation.

**Superior Self Gripping Performance.** The innovative system distributes equal loading across the gripping wedges ensuring maximum surface contact and holding capabilities. As pressure increases in front of the plug, the wedges grip tighter. Even in pipe diameters that are asymmetrical, each wedge independently adapts to variances within the pipe. GripSafe ST takes "self-gripping" to a new level.

**Leaves Virtually No Surface Damage.** Unlike competitive products which rely on serrated jaws to bite into the pipe for holding purposes, GripSafe ST uses a specially designed wedge system that grips the pipe, while leaving virtually no surface scarring. GripSafe ST eliminates the need for a segment of sacrificial pipe, or the cleanup necessary to remove surface deformations other tools create.

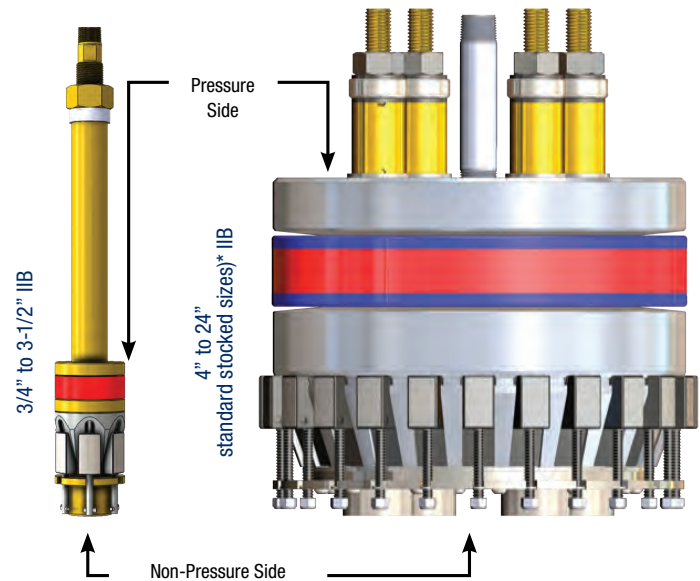
**Non-Contaminating Solution.** GripSafe ST plugs utilize a proprietary texture on the gripping wedges that can be used on any metal type with no carbon contamination. Therefore, in contrast with other plugs, GripSafe ST requires no alternate parts for use in stainless and other alloy pipes where cross contamination is a concern.

**Lightweight Advantage.** GripSafe ST plugs weigh less on average than competitive products. Significant weight differences exist as plug sizes increase, reaching upwards of 50% weight reductions in larger sizes without sacrificing holding capabilities.

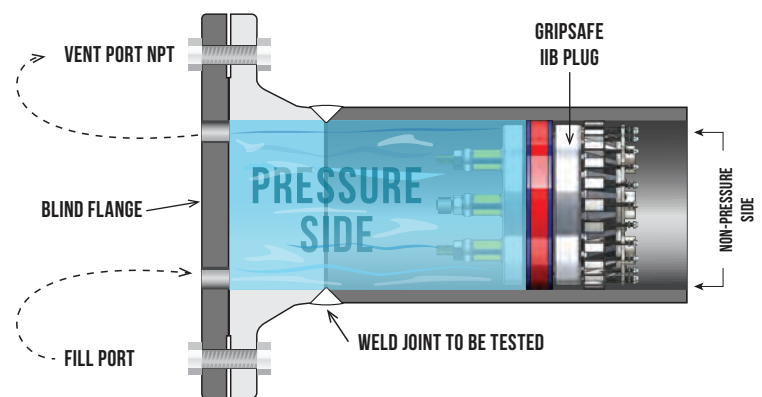
## APPLICATIONS

**Flange Weld Testing.** Used in conjunction with a ported blind flange, GripSafe ST IIB plugs stress the weld joint in longitudinal (axial), circumferential (hoop) and radial pressures identical to the stresses that would be induced when hydro-testing the entire piping system, making them superior to traditional flange test plugs (FTP) which apply hoop and radial stresses only.

**Pressure Vessels.** Block outlet piping in vessels to pressurize for cleaning or testing purposes.



\* Larger sizes and custom configurations available upon request



### When Ordering Specify:

- GripSafe ST Plug Model Required
- Size
- Pipe Schedule
- Quantity
- Delivery Date

Scan QR code to go to GripSafe ST's webpage



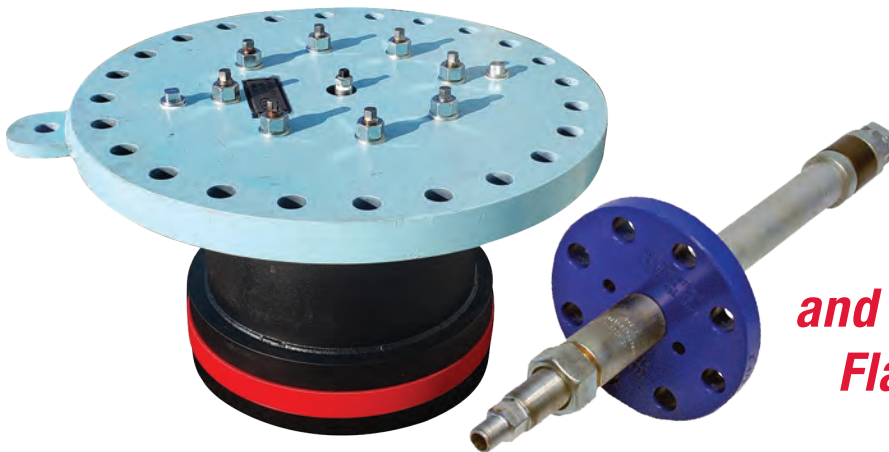
**WARNING:**  
(See page PI-12)

IN-STOCK ITEMS  
SHIP SAME DAY

(713) 941-3797 • Toll Free: (800) 456-8721  
[www.USAIndustries.com](http://www.USAIndustries.com)



## FLANGE WELD TEST PLUGS



**Clear, Purge, Weld  
and Test With Our Superior  
Flange Weld Test Plugs**

**Waste disposal is reduced to just a few gallons of water at most.**

### LARGEST RENTAL FLEET AVAILABLE



Insert the plug into the pipe to be welded, bolt the flanges together and tighten the large compression nut(s) to expand the seal — ***It's that Simple!***

The flange to pipe weld is ready to be tested. A complete test requires a minimum amount of water — from a few cups to a few gallons, depending on the line size — ***virtually eliminating your hazardous waste disposal costs.***

- Fast, safe and easy installation and testing
- Reduces testing, downtime, and waste disposal costs
- Stocked Line Sizes from 3/4" to 24"
- Flange ratings: 150# - 2500#
- Available in Raised-Face or Ring Type Joint Flanges
- Seals — **NEW CHEMISTRY** — easier to seal against Pitted Pipes — color coded for line schedule
- Seal and compression ring sets are easily changed to accommodate different pipe schedules - segmented compression tube allows adjustment of seal installation depth
- Testing pressures meeting ANSI B16.5 requirements
- Rugged, heavy duty construction
- Q/A & Q/C — manufactured under our strict ISO 9001:2015 Quality Assurance Program



### WARNING:

**A SPECIAL WORD OF CAUTION:** Pressure testing can be an extremely hazardous operation and safety precautions should be strictly adhered to.

All connections, valves, flanges and other fittings should be checked for suitability to test pressure. Verify the line ID & Plug Range match. Most importantly — Never stand or pass in front of any test plug or other enclosure while test is in progress. If plug discharges during a test, serious injury or death could occur.

#### When Ordering Specify:

- Size
- Flange Rating
- Pipe Schedule
- Gasket Type
- Quantity
- Rental or Purchase
- Delivery Date

**IN-STOCK ITEMS  
SHIP SAME DAY**

**(713) 941-3797 • Toll Free: (800) 456-8721**  
**www.USAIndustries.com**



## NON-GRIPPING DOUBLE BLOCK AND BLEED

**ONE PLUG,  
TWO FUNCTIONS!**



Line Sizes 4" & Smaller



Line Sizes 6" & Larger

USA Industries' **Non-Gripping Double Block & Bleed** plug will leave no damage to the interior pipe walls, and features two independent sealing areas, ensuring secure isolation of your internal piping for safe maintenance and repairs. A vent between the seals allows for verification of seal integrity and enables pressure testing of welds by positioning them between the two seals. Pressure testing uses less than a gallon of water, enabling the use of a hand pump, thereby reducing fill times, waste and treatment expenses. Additionally, these plugs can be customized with extended reach to accommodate specific piping requirements. The plugs are highly portable and is easy to position.

- Sizes: 3/4" to 24" NPS; larger sizes are available upon request
- Working pressures up to 2,500 PSI (172.4 Bar) between the seals
- Seal material: Urethane
- Lightweight aluminum/steel body construction
- Will reduce time and costs to repair and test welds
- Minimizes purge costs and associated waste
- Safety factor reduces non-destructive evaluation (NDE)
- Monitor the isolation zone and upstream pressure to prevent backpressure during test

**WARNING:**

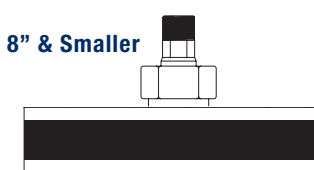
(See page PI-18 for important details)

## HEAVY DUTY INDUSTRIAL ISOLATION PLUGS

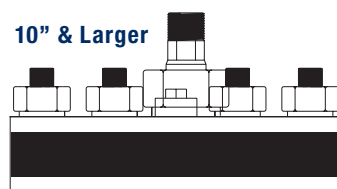
*Provides Rugged, Simple and Safe Isolation*

The **Heavy Duty Industrial Isolation Plugs** are maintenance free. The unique seals are capable of expansions exceeding 1" with minimal torque. To use, simply install into the open end of the pipe or tube and tighten the compression nut(s) to expand the seal element.

- Available in Standard, Extended Insertion, or Double Block configurations
- Heavy-Duty Construction — corrosion resistant finish — stainless steel parts available
- Urethane seals — **New Chemistry** — easier to seal against pitted pipes — color coded for line schedule
- Can be provided for any pipe size
- Manufactured under our strict ISO 9001:2015 Quality Assurance Program



8" & Smaller

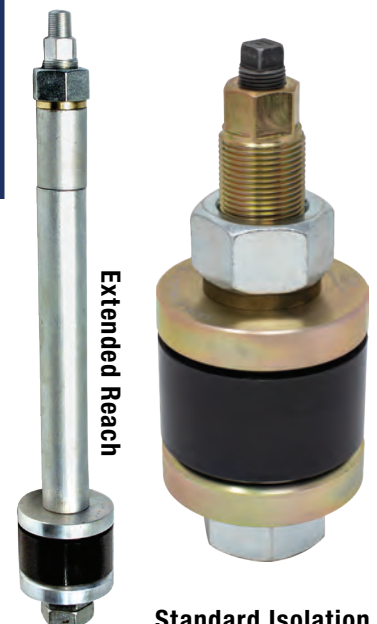


10" & Larger



**When Ordering Specify:**

- Size
- Pipe Schedule
- Quantity
- Rental or Purchase
- Delivery Date



Extended Reach

Standard Isolation

**IN-STOCK ITEMS  
SHIP SAME DAY**

**(713) 941-3797 • Toll Free: (800) 456-8721**  
**www.USAIndustries.com**



## MEDIUM DUTY INFLATABLE PIPE BALLOON PLUGS



The **Medium Duty Inflatable Pipe Balloon Plugs**, manufactured in the USA, are designed for high-expansion applications. These plugs effectively isolate piping ranging from 2" to 96" in diameter. Constructed with Nitrile Reinforced Ballistic Nylon, they offer hydrocarbon resistance and can withstand limited backpressure, setting them apart from standard inflatable plugs. Their synthetic materials provide a longer shelf life compared to molded rubber alternatives.

### When Ordering Specify:

- Size
- Quantity
- Rental or Purchase
- Delivery Date

## LOW PRESSURE INFLATABLE PIPE BALLOON PLUGS



**Inflatable Pipe Balloon Plugs** are for isolating piping in sizes 1.5" through 66." Special plugs can be provided with flow-through vents so upstream back pressure can be vented. Plug Includes 2 ft hose and pressure gauge. Custom length hose provided upon request.



**WARNING:**  
(See page PI-18 for important details)

## WING NUT ISOLATION PLUGS



To quickly and easily seal your pipe, tube or hole, USA Industries' Wing Nut Plumber's Type Isolation Plug is just what you're looking for. These plugs use neoprene seals with die cast bodies, and are available in line sizes 2" through 24". This plug is rated to hold back pressure up to 13 PSIG and is available with or without upstream venting capabilities.

### When Ordering Specify:

- Size
- Pipe Schedule
- Quantity
- Rental or Purchase
- Delivery Date

## "FOREMAN" ISOLATION PLUGS

Single bolt low pressure Isolation Type Plugs — These plugs use Neoprene seals with aluminum die cast bodies and are available in line sizes from 4" through 48". Available with or without upstream venting capabilities.



*We strive to provide our customers with exceptional USA manufacturing quality products, economically that adhere to our ISO 9001:2015 Quality Program.*

**IN-STOCK ITEMS  
SHIP SAME DAY**

**(713) 941-3797 • Toll Free: (800) 456-8721**  
**www.USAINdustries.com**



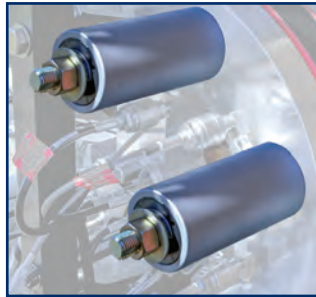
# CUSTOM ENGINEERED ISOLATION PLUG ACCESSORIES

**Custom 34" Non-Gripping DBB**



## EZ Turn Hydraulic Actuator Cylinders™

Synchronous hydraulic tightening and loosening of seal expansion nuts, which in turn expands and contracts the plug seals. No manual intervention is required, equaling a dramatic time and labor cost savings to you and your project budget.



## EZ Slide Heavy Duty Mounted Casters™

Casters provide fluid movement of oversized and heavy weighted isolation plug inside the pipe. Consequently, the casters require very little physical exertion to position or reposition pipe plug once seated in the pipe.



## EZ Align Fit-up Clamp™

Clamp latches onto 3rd party device in order to slide the oversized and heavy weighted isolation plug into place over short and long distances.



## Internally Mounted Digital Camera with Lighting

Internally mounted camera allows you perfectly locate weld-seam. There is no more guessing, or requiring you to measure short and long distances in order to seat the plug properly in place before beginning your project operation.



## Ultra-wide Tri-Ply® Seals

The patented multi-durometer Tri-Ply Seal provides a larger surface coverage area over the standard seal, resulting in a greater expansion range, and eliminates seal mushrooming that happens from over torquing the seal expansion nuts.



*We strive to provide our customers with exceptional USA manufacturing quality products, economically that adhere to our ISO 9001:2015 Quality Program.*



**(713) 941-3797 • Toll Free: (800) 456-8721**  
**www.USAINdustries.com**

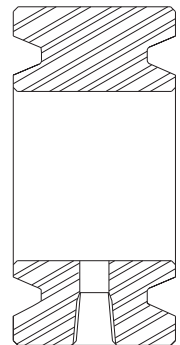
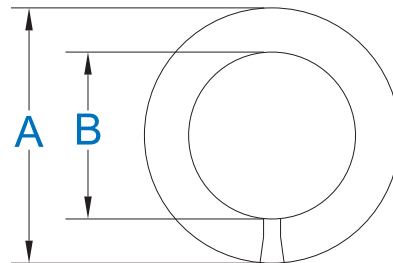


## BLEED RINGS | DRIP RINGS | VENT RINGS



- Standard Sizes: 1/2" to 14" (custom sizes available)
- Customizable! Material, size, tap connections and sizes, gasket types, # of ports
- Meets ASME/ANSI standards for: B16.5 and B16.20 for raised face and ring type joint (RTJ) dimensions and tolerances
- Standard materials: Carbon Steel (516-Gr70 & A105/LF-2) and Stainless Steel (304 & 316)
- Choose between 1/2" or 3/4" threaded (NPT) or socket-weld (SW) connections as well as raised-face (125-250 RMS) or ring type joint (RTJ) configurations (male or female)
  - Standard Ring Joints (RJ) feature female oval ring grooves (male joints are available upon request)
  - Carbon steel plate products receive one coat of black lacquer as standard, unless alternative specifications are provided

### RTJ Bleed Rings Available



#### When Ordering Specify:

- Size
- Flange Rating
- Material
- Gasket Surface Type
- Number, Size, & Type of Bleed Holes - Threaded or Socket-Weld
- Quantity
- Delivery Date

LINE SIZE	"A" CHART DIMENSIONS FOR RAISED FACE RINGS - ALL MEASUREMENTS IN INCHES					"B"	STD THICKNESS
	150#	300#	600#	900#	1500#		
1.00	2.50	2.75	2.75	3.00	3.00	1.32	1-1/2
1.50	3.25	3.625	3.625	3.75	3.75	1.90	
2.00	4.00	4.25	4.25	5.50	5.50	2.375	
2.50	4.75	5.00	5.00	6.375	6.375	2.875	
3.00	5.25	5.75	5.75	6.50	6.75	3.50	
4.00	6.75	7.00	7.50	8.00	8.125	4.50	
6.00	8.625	9.75	10.375	11.25	11.00	6.625	
8.00	10.875	12.00	12.50	14.00	13.75	8.625	
10.00	13.25	14.125	15.625	17.00	17.00	10.75	
12.00	16.00	16.50	17.75	19.375	20.25	12.75	
14.00	17.625	19.00	19.125	20.25	22.50	14.00	
16.00	20.125	21.125	22.00	22.375	25.00	16.00	
18.00	21.50	23.375	23.875	24.875	27.50	18.00	
20.00	23.75	25.625	26.625	27.25	29.50	20.00	
24.00	28.125	30.375	30.875	32.75	35.25	24.00	

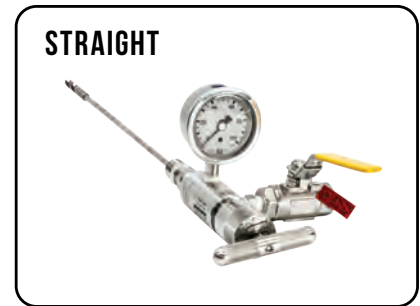
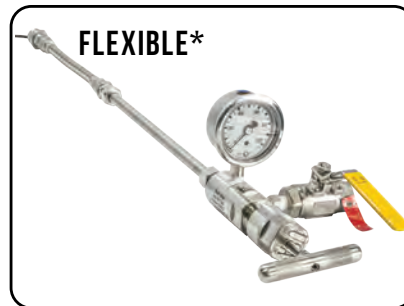
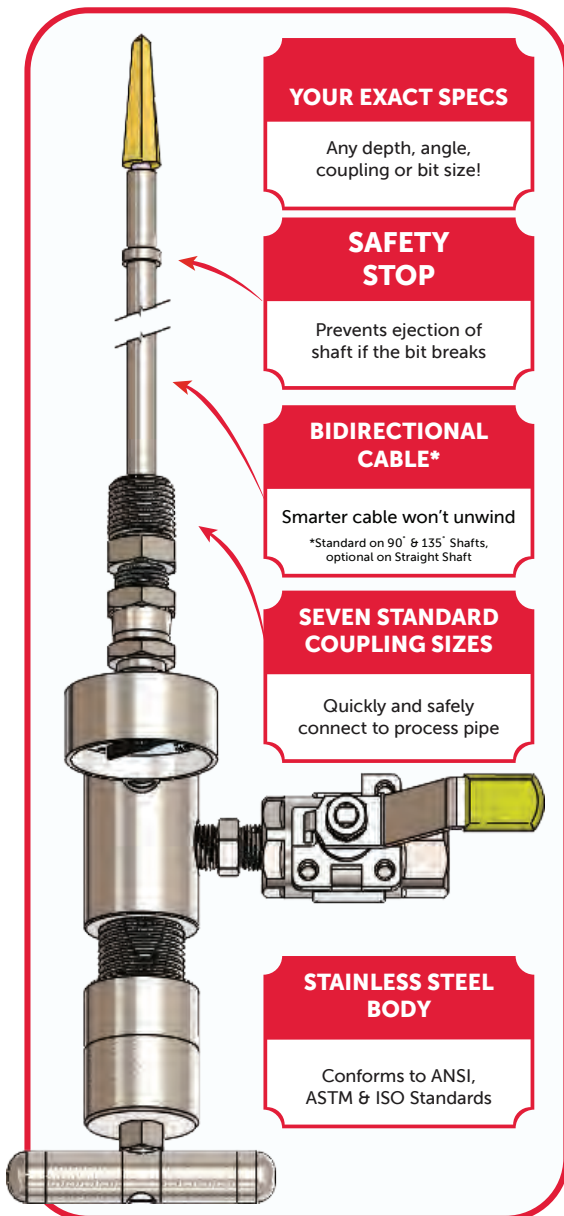
**IN-STOCK ITEMS  
SHIP SAME DAY**

**(713) 941-3797 • Toll Free: (800) 456-8721**  
**www.USAIndustries.com**



# BLEEDER CLEANER

Available in Four Shaft Types



*\* USA Industries' Bleeder Cleaners are the only ones on the market with a bi-directional cable that will not unwind if turned counter-clockwise.*

Bleeder Cleaners (aka rod-out device, orifice tap cleaner or tap reamer) allow clogged bleed, drain, vent and instrument tap valves to be cleaned during normal operations **SAFELY** and **EFFICIENTLY** while completely containing the product. Properly using our tool eliminates the possibility of dangerous product releases which can result in your personnel and others being exposed to unsafe and hazardous conditions. Our Bleeder Cleaners are rated up to 1,000° F and 1,000 PSIG and are available in four model types. If required, can be made to hold higher pressure.

**Simple to use:** 1. Screw the end connector onto the item needing cleaning. 2. Close the bleed valve. 3. Open the process valve. 4. Insert the shaft while rotating the handle. 5. After the line has been fully cleared, back out the shaft. 6. Close the process valve. 7. Open the bleed valve and disconnect the tool... **SAFELY CLEANED LINE!**

## Available Bit Types

Everlast Drill Bit



Twist Drill Bit



All components supplied conform to ANSI, ASME, ASTM Standards for Dimensions. Manufactured under our ISO 9001:2015 Quality Assurance Program.

- When Ordering Specify:**
- Length of Shaft (standard length is 14")
  - Shaft Type (Straight , 90, 135 or Flexible shaft)
  - Drill Bit Size
  - Coupling Size
  - Quantity
  - Delivery Date

**IN-STOCK ITEMS SHIP SAME DAY**

(713) 941-3797 • Toll Free: (800) 456-8721  
[www.USAINdustries.com](http://www.USAINdustries.com)







# ***PADDLE BLIND & BLIND FLANGE RACK STORAGE REVOLUTIONS!***



***Our patented, groundbreaking designs deliver unparalleled worker safety, asset protection, security, organization, and inventory management.***

***800-456-8721 | sales@USAIndustries.com***

RENT OR BUY FROM THE INDUSTRY LEADER IN PADDLE BLIND AND  
BLIND FLANGE RACK STORAGE SOLUTIONS!

## EZ LOCK BLIND RACK®

*Patented EZ Lock Blind Rack<sup>[1]</sup> for Storage of Paddle / Hydrotest Blinds*



**(Patent No. 9,546,889)**

January 17, 2017



**Blinds are secured by our patented, and innovative Indexing Retainers.**

[1] Tracy Sue and Casey Sue, "Lock rack for hydro, isolation or test blinds..."

- Weight accommodation: 12,000 lbs.
  - Storage capacity: up to 884 blinds\*
  - Accommodates "7" or "T" handles
  - Holds blinds up to 24-1/4" OD
  - Lockable lid security to reduce theft and blind loss
  - Patented Indexing Retainers for safety and blind security
  - Easily accessed from both sides of the unit
  - Overhead heavy lift crane lugs
  - Bottom accessible forklift cavities
  - Order fully stocked and receive discount
- \* = 884 blinds is dependent on blind sizes & thicknesses



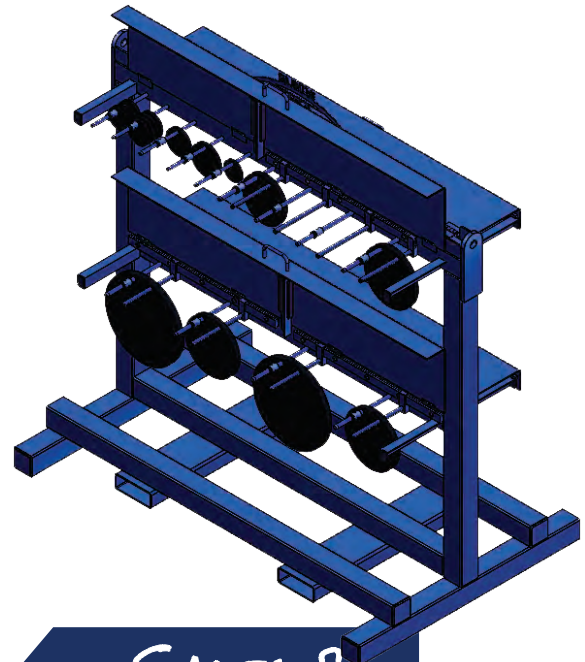
**IN-STOCK ITEMS  
SHIP SAME DAY**

**(713) 941-3797 • Toll Free: (800) 456-8721**  
**www.USAINdustries.com**



## EZ LOCK BLIND FLANGE RACK®

*Patented EZ Lock Blind Flange Rack<sup>[1]</sup> for Storage of Blind Flanges*



**SALES & RENTALS AVAILABLE!**

- |  |   |
|--|---|
| Max Weight Accommodation: <b>4,500 lbs</b> | Locking Security Collar Retainers: <b>Yes</b>   |
| Storage Capacity: <b>220 Blinds*</b>       | Bottom Accessible Forklift Cavities: <b>Yes</b> |
| Max Blind Size OD: <b>25"</b>              | Overhead Heavy Lifting Crane Lugs: <b>Yes</b>   |
| Lockable Lid: <b>Yes</b>                   | Rental Available: <b>Yes</b>                    |

**Adjustable Sliding Pins to Accomodate Multiple Blind Flange Sizes**



**Locking Safety Collars to Hold Blind Flanges in Place**



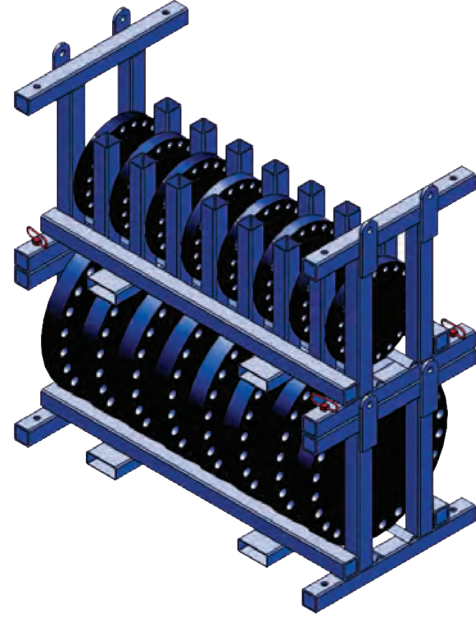
**IN-STOCK ITEMS  
SHIP SAME DAY**

**(713) 941-3797 • Toll Free: (800) 456-8721**  
**www.USAIndustries.com**



## EZ STORE BLIND FLANGE RACKS™

*Horizontal & Vertical Stacking Blind Flange Racks for Storage of Blind Flanges*



### STACKABLE HORIZONTAL RACK(S)

Top Rack Max Weight Accommodation: 3,000 lbs

Bottom Rack Max Weight Accommodation: 10,000 lbs

Storage Capacity: 8 Blinds

Max Blind Size OD: 39" (35" at Fork Tubes)

Stackable Racks: Yes

Bottom Accessible Forklift Cavities: Yes

Overhead Heavy Lifting Crane Lugs: Yes

Rental Available: Yes

**SALES &  
RENTALS  
AVAILABLE!**

### VERTICAL STACKING RACK for Oversized Blind Flanges

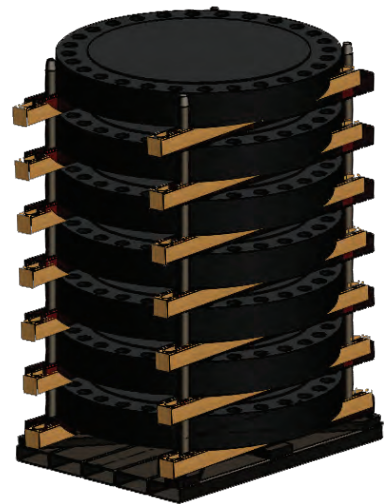
Max Weight Accommodation: 20,000 lbs

Storage Capacity: 8 Blinds\*

Max Blind Size OD: 60"

- dependent on blind flange sizes

**SALES &  
RENTALS  
AVAILABLE!**



**IN-STOCK ITEMS  
SHIP SAME DAY**

**(713) 941-3797 • Toll Free: (800) 456-8721**  
**www.USAIndustries.com**



## EZ STORE INVENTORY CONTAINERS

*Modular Inventory Containers offers convenience, security, and flexibility, making it an invaluable asset on location:*

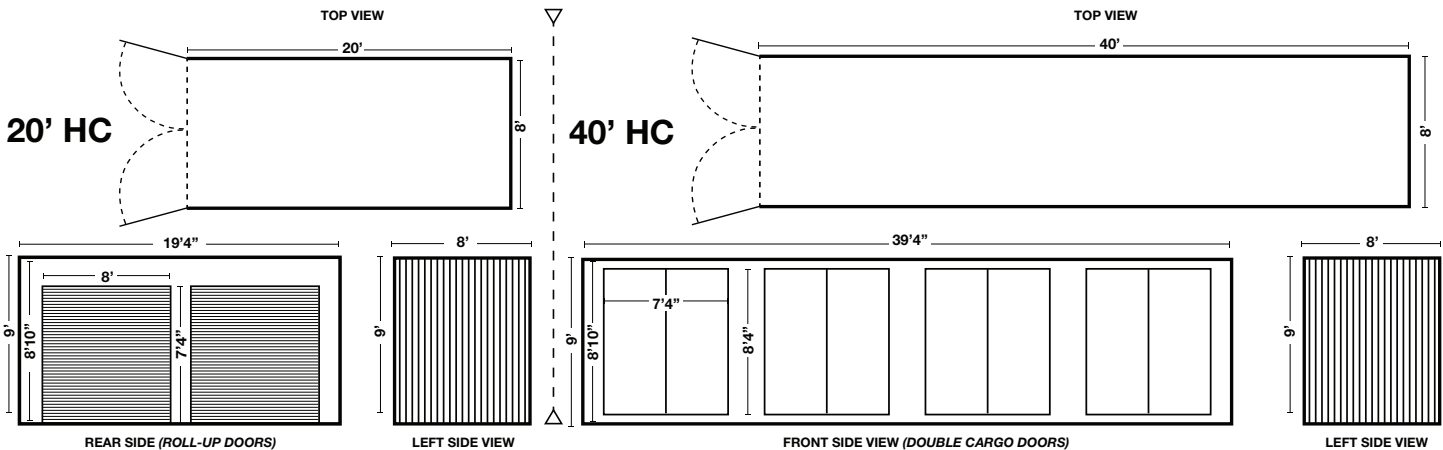


20' HC	EXTERIOR			INTERIOR		
	L	W	H	L	W	H
	20'	8'	9'	19'4"	7'8"	8'10"

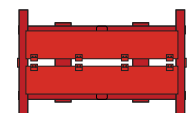
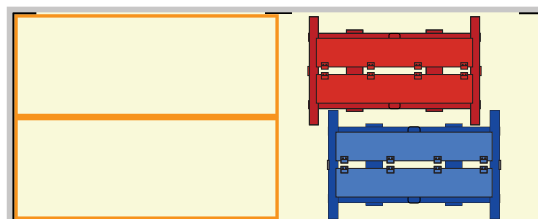
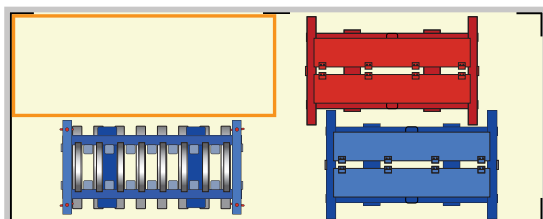
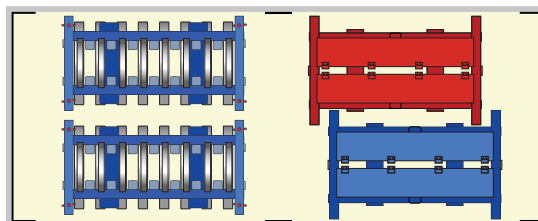
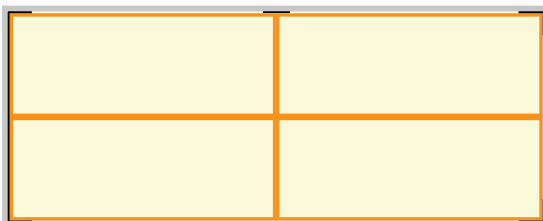
  

40' HC	EXTERIOR			INTERIOR		
	L	W	H	L	W	H
	40'	8'	9'	39'4"	7'8"	8'10"

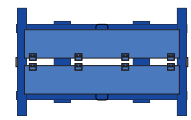
DOUBLE CARGO DOOR SIZING		ROLL-UP DOOR SIZING	
W	H	W	H
7'4"	8'4"	8'	7'4"



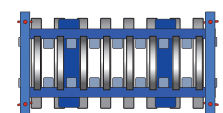
### MODULAR LAYOUT POSSIBILITIES



EZ Lock Blind Rack®



EZ Lock Blind Flange Rack®



EZ Store Horizontal Stacking Blind Flange Rack



Industrial Pallet Racks (2 Tiers)

## ON-SITE & REMOTE MANAGED INVENTORY SERVICES

USA Industries offers customized onsite and remote **Inventory Management Services** that enhance operations, cut costs, and allow businesses to focus on building, repairing, and maintaining their facilities.

Partnering with USA Industries for third-party inventory management allows you to streamline operations, focus on project goals, and enhance overall value. Our expertise ensures your project runs efficiently.



### Onsite Managed Inventory Service Cost Savings

#### Boosting Operational Efficiency

Our managed service ensures real-time inventory tracking, optimized stock levels, and enhanced accuracy, preventing stockouts and overstocking for seamless operations and reliable product availability.

#### Cost Savings and Flexibility

Outsourcing inventory management to USA Industries cuts warehousing, staffing, and technology costs while offering a scalable, cost-effective solution tailored to your needs.

#### Focus on Core Business Functions

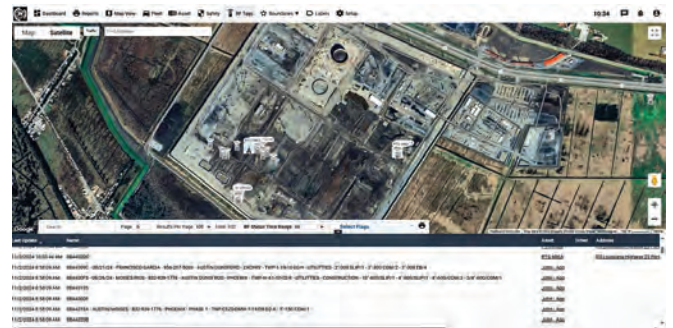
Outsource inventory management to USA Industries, freeing your team to focus on facility maintenance during turnarounds, shutdowns, repairs, and construction.

#### Scalability for Future Growth

As your business grows, USA Industries ensures seamless inventory scaling, handling increased volumes for smooth transitions and sustained progress without in-house management challenges.



### We Track Your Assets to Prevent Costly Losses!



**IN-STOCK ITEMS  
SHIP SAME DAY**

**(713) 941-3797 • Toll Free: (800) 456-8721**  
**www.USAIindustries.com**





## ORIFICE PLATES

*We specialize in Orifice Plates*  
**ANY SIZE - ANY MATERIAL - ANY THICKNESS**

USA Industries manufactures each plate to meet or exceed *A.G.A., I.S.A., A.N.S.I., A.S.M.E.* and *A.P.I.* standards and recommendations.

Stocked plates include 304 & 316 stainless steel in 1/8" and 1/4" thicknesses. Other materials and / or thicknesses are available upon request.

We typically bore plates to the customer's supplied sizing calculation, however, for an additional fee we can provide sizing calculation services to you.

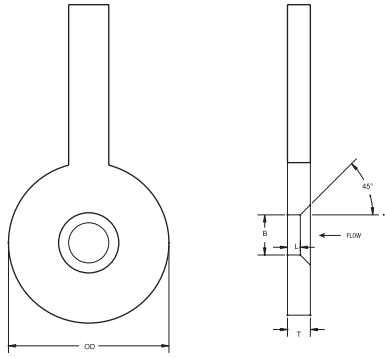
- **Series 500 Universal Plates** - for orifice fittings
- **Series 520 Paddle Plates** - for raised face flanges
- **Series 560 & 590 Plates** - Ring Type Joint Plates with male or female gasket area
- We also provide **Orifice Flanges** in both carbon and stainless steel, as well as orifice plate holder assemblies
- **Restriction Orifice Unions** from 1/4" to 2" in socket-weld or female NPT threads



**IN-STOCK ITEMS  
SHIP SAME DAY**

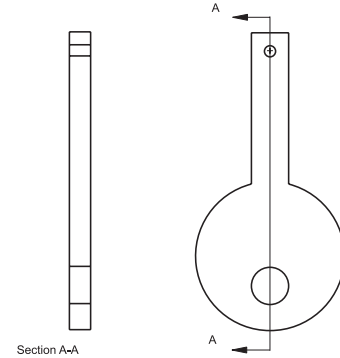
**(713) 941-3797 • Toll Free: (800) 456-8721**  
**www.USAIndustries.com**





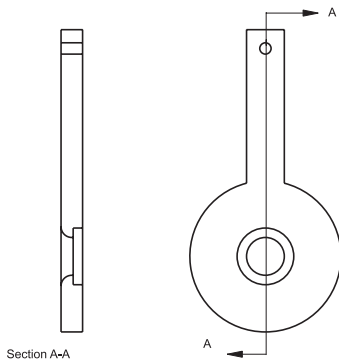
## \*Concentric Bore

Used primarily for clean liquids, gases, or vapors that are relatively non-viscous. When necessary, a bevel is machined at a 45 degree angle to attain the proper edge thickness. Accuracy range at +.6% for beta ratio between 0.2 to 0.75.



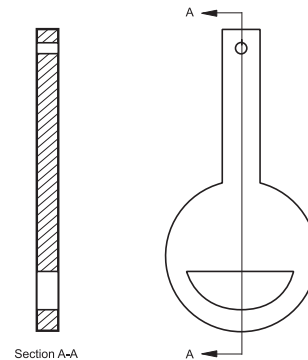
## Eccentric Bore

Primarily used for measurement of entrained solids or slurries of vapors and gases where condensation is present. The eccentric bore is offset to where the bore edge is inscribed in a circle that is 98% of line I.D. Accuracy range at +1.5% to +2% for beta ratio between 0.3 to 0.75.



## Quadrant Bore

This type of orifice bore is used primarily in the measurement of high viscosity flow, such as heavy crude, syrups, and slurries. The radius on the inlet side is equal to the plate thickness. The quadrant is always recommended where the Reynolds number factor is less than 100,000. Accuracy range is +2% for beta ratio between 0.24 to 0.6.



## Segmental Bore

The segmental bore is located in the same way that the eccentric bore is. These bores are used primarily for slurries or extremely dirty gases where the flow may contain impurities heavier than fluid. Accuracy range at +2% for beta ratio between 0.35 to 0.75.

*\*Plate Bevel determined per Instrument Engineers Handbook, Edition 3: Bela Lipták. All plates thicker than 1/8" should be beveled 45 degrees on the downstream side to a 1/8" edge thickness. Any orifice bore less than 1" to be beveled to 1/16" if plate thickness is 1/8".*

### Orifice Plate Installation

1. Install orifice plate and new gaskets between flanges.
2. Release the flanges by turning the two jack bolts counterclockwise.
3. Replace studs and tighten to spec.

### Orifice Plate Removal

1. Loosen all studs and remove the top half of the studs.
2. Spread flanges apart by turning the jack bolts clockwise.
3. Remove orifice plate for inspection or replacement.

### When Installing Orifice Plates

1. Orifice Bore must be centered within 3% of inside pipe diameter.

**Note: Writing on the Orifice Plate  
ALWAYS faces upstream**

2. Inside diameter of gaskets must not protrude beyond inside surface of pipe.\*
3. Tighten flange bolts evenly to prevent plate buckling.

\*Gaskets should be replaced at each orifice plate inspection.

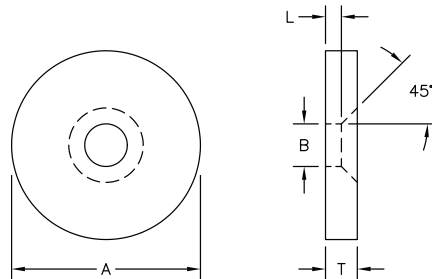


## SERIES 500 UNIVERSAL ORIFICE PLATES

Universal Orifice Plates are Manufactured for use in ALL standard orifice fitting assemblies or Ring Type Joint plate holders. Each plate is carefully manufactured to meet or exceed standards set by *A.G.A., I.S.A., A.N.S.I, A.S.M.E. & A.P.I.* recommendations. Stocked in 304 & 316 stainless steel and available in any material requested, such as monel, hastelloy, copper-nickel, etc. Coatings can also be provided.



Nominal Pipe Size (in.)	"A" (in.)	"L" (in.)	"T" (in.)
1	1.312	0.02	0.125
1.5	2	0.03	0.125
2	2.437	0.03	0.125
2.5	2.812	0.03	0.125
3	3.437	0.03	0.125
4	4.406	0.06	0.125
5	6	0.06	0.125
6	6.437	0.06	0.125
8	8.437	0.125	0.25
10	10.687	0.125	0.25
12	12.593	0.25	0.25
14	14	0.25	0.25
16	16	0.25	0.375
18	18	0.25	0.375
20	20	0.375	0.375
24	24	0.375	0.375



**Notes:**  
**Dimension "A" does not include seal ring.**  
**L = Thickness for Restriction Applications**

We offer Hycar® and Teflon® seal rings / o-rings that fit our universal orifice plates. Request with your next order to have them shipped together.

### When Ordering Specify:

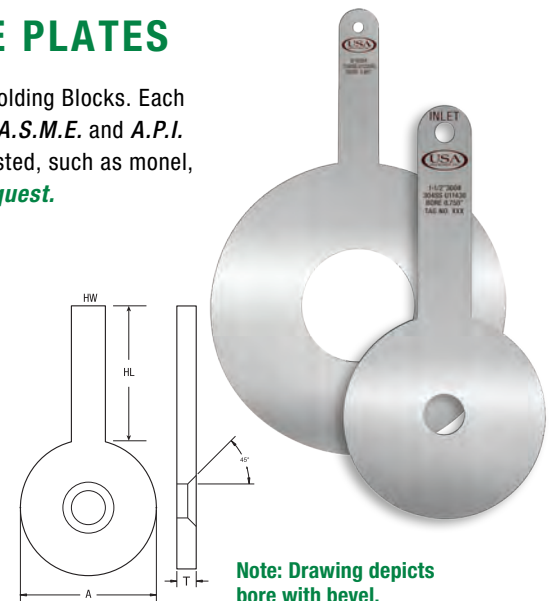
- Line Size
- Plate Thickness
- Bore Size
- Bevel / No Bevel
- Material
- Quantity
- Delivery Date

Hycar® is a registered Trademark of Lubrizol Advanced Materials. Teflon® is a registered Trademark of DuPont.

## SERIES 520 PADDLE-TYPE PLATES

Paddle-Type orifice plates are manufactured for use with Raised Face Orifice Flanges and Holding Blocks. Each plate is carefully manufactured to meet or exceed standards set by *A.G.A., I.S.A., A.N.S.I., A.S.M.E. and A.P.I.* recommendations. Stocked in 304 & 316 stainless steel and available in any material requested, such as monel, hastelloy, copper-nickel, etc. Coatings can also be provided. **Vent or drain available on request.**

Size (in.)	Flange Rating A (all dimensions are in inches. Add'l. sizes available)								HL (in.)	HW (in.)	T (in.)
	150#	300#	400#	600#	900#	1500#	2500#				
0.5	1.875	2.125	2.125	2.125	2.5	2.5	2.75	4	1	.125	
0.75	2.25	2.625	2.625	2.625	2.75	2.75	3				
1	2.625	2.875	2.875	2.875	3.125	3.125	3.375				
1.25	3	3.25	3.25	3.25	3.5	3.5	4.125				
1.5	3.375	3.75	3.75	3.75	3.875	3.875	4.625				
2	4.125	4.375	4.375	4.375	5.625	5.625	5.75				
2.5	4.875	5.125	5.125	5.125	6.5	6.5	6.625				
3	5.375	5.875	5.875	5.875	6.625	6.875	7.75				
4	6.875	7.125	7	7.625	8.125	8.25	9.25				
5	7.75	8.5	8.375	9.5	9.75	10	11				
6	8.75	9.875	9.75	10.5	11.375	11.125	12.125	6	1.5	.375	
8	11	12.125	12	12.625	14.125	13.875	15.25				
10	13.375	14.25	14.125	15.75	17.125	17.125	18.75				
12	16.125	16.625	16.5	18	19.625	20.5	21.625				
14	17.75	19.125	19	19.375	20.5	22.75	-				
16	20.25	21.25	21.125	22.25	22.625	25.25	-				
18	21.5	23.375	23.25	24	25	27.625	-				
20	23.75	25.625	25.375	26.75	27.375	29.625	-				
22	26	27.75	27.5	28.875	-	-	-				
24	28.125	30.735	30.125	31	32.875	35.5	-				
30	34.625	37.375	37.25	38.125	-	-	-				
36	41.125	43.875	43.875	44.375	-	-	-				



**Note: Drawing depicts bore with bevel.**

### When Ordering Specify:

- Line Size
- Plate Thickness
- Bore Size
- Bevel / No Bevel
- Material
- Quantity
- Delivery Date

**IN-STOCK ITEMS  
SHIP SAME DAY**

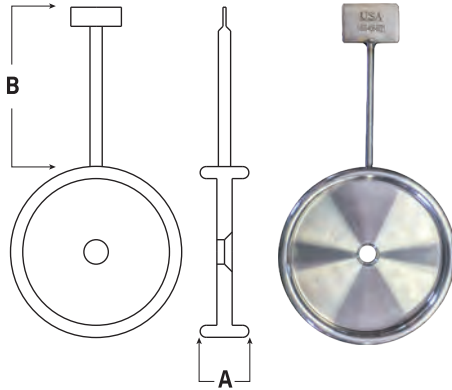
**(713) 941-3797 • Toll Free: (800) 456-8721**  
**www.USAIindustries.com**



## RING TYPE JOINT PLATES

Choose from Either Style of Plate to Suit your Particular Needs.

### SERIES 560

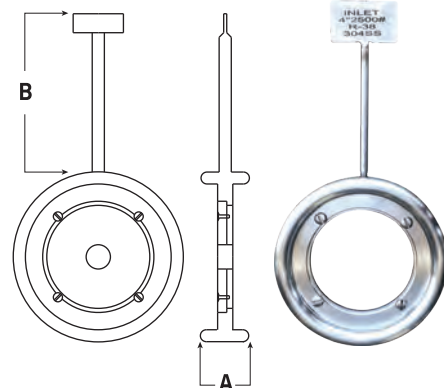


Series 560 plates are of a one-piece construction. Manufactured in any material requested such as 304 or 316 SS, monel, hastelloy, copper-nickel, etc.

**When Ordering Specify:**

- Line Size
- Plate Thickness
- Flange Rating
- Material
- Quantity
- Delivery Date

### SERIES 590



Series 590 plates are manufactured with hold-down screws and use Universal plates for the orifice bore. The 590 Series should be used where frequent replacement or sizing changes are expected. Manufactured in any material requested such as 304 or 316 SS, monel, hastelloy, copper-nickel, etc.

**When Ordering Specify:**

- Line Size
  - Flange Rating
  - API Rating
  - Material
  - Quantity
  - Delivery Date
- If Needed:**
- Series 500 plate thickness
  - Bore Size
  - Quantity

Note: 560 Plate Holders 2" - 8" have a standard plate thickness of 1/4"

Line Size (in.)	FLANGE RATING													
	300# - 600#			900#			1500#			2500#				
	RING SIZE	A	B	RING SIZE	A	B	RING SIZE	A	B	RING SIZE	A	B		
1/2	R-11	29/32	4-1/4	R-12	1	4-1/4	R-12	1	6-1/2	R-13	1	6-1/2		
3/4	R-13	1		R-14			R-14			R-16			R-16	R-18
1	R-16			R-20			R-20			R-23			R-23	R-26
1-1/2	R-20			R-24			R-24			R-26			R-26	R-28
2	R-23	1-1/16	5-1/4	R-27	1-1/16	5-1/4	R-27	1-1/16	6-1/2	R-32	1-1/16	6-1/2		
2-1/2	R-26			R-31			R-31			R-28	1-3/16			
3	R-31		6-1/4	-		R-37	R-35			R-35	R-32		R-38	1-5/16
3-1/2	R-34			R-41		R-37	R-39			R-38	R-42		1-7/16	
4	R-37	7-1/2	6-1/4	R-41	1-1/16	6-1/4	R-44	1-3/16	7-1/2	R-47	1-7/16	7-1/2		
5	R-41			R-45			R-46			R-47	1-9/16			
6	R-45		6-1/2	R-49		R-50	R-51			1-9/16	8-1/2			
8	R-49			R-53		R-54	R-55			2				
10	R-53	1-3/16	7-1/2	R-53	1-3/16	7-1/2	R-54	1-7/16	7-1/2	R-60	2-1/8	9-1/2		
12	R-57			R-57			R-58			1-11/16	8-1/2			
14	R-61			R-62			R-63			1-7/8	-		-	
16	R-65			R-66			R-67			2	9-1/2		-	-
18	R-69	1-1/4	1-9/16	R-70	1-9/16	9-1/2	R-71	2-1/8	10-1/2	-	-	-		
20	R-73			R-74			R-75			-	-			
24	R-77			R-78			R-79			-	-			

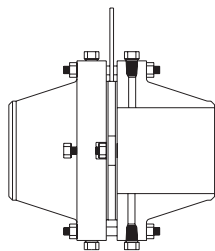
**IN-STOCK ITEMS  
SHIP SAME DAY**

**(713) 941-3797 • Toll Free: (800) 456-8721**  
**www.USAIndustries.com**



# FLANGES & HOLDING BLOCKS

## ORIFICE FLANGES



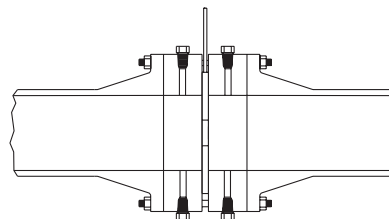
Available in carbon or stainless steel and manufactured to meet *A.G.A., A.P.I., A.S.M.E., I.S.A.* standards. In addition, available for all flange ratings and line sizes.

### When Ordering

#### Specify:

- Line Size
- Pipe Schedule
- Gasket Type
- Flange Rating
- Material
- Quantity
- Delivery Date

## ORIFICE HOLDING BLOCKS



Meets *A.G.A./A.S.M.E./I.S.A.* flange tap location requirements. Available in 150# *A.N.S.I.* rating in all line sizes, ideal for “lined piping” in caustic service. More economical than using orifice flanges in particular applications. Available in carbon, stainless steel, monel, brass, nickel as well as many other alloys. Coated with Teflon® or Kynar®.

**If requested, each orifice flange assembly comes complete with (2) Jackscrews & (2) 1/2” Plugs**

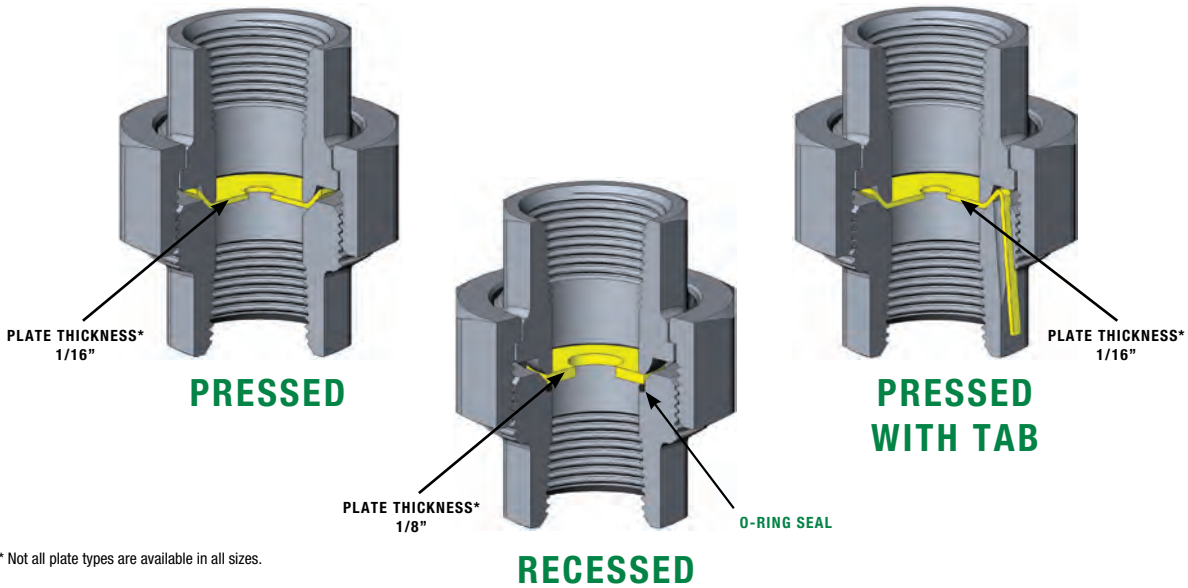
	NOMINAL PIPE SIZE	DIAMETER OF FLANGE	MIN FLANGE THICKNESS	DIAMETER OF RAISED FACE	LENGTH THROUGH HUB	PRESSURE TAP HOLE SIZE	DIAMETER BOLT CIRCLE	# OF HOLES	SIZE OF HOLES	SIZE & LENGTH OF STUDS	SIZE & LENGTH OF JACK SCREW	APPROX WT PER UNION (LBS)
	SIZE	O	T	R	L	P	BC	#□	□	S	J	W
CLASS 300, DIMENSIONAL DATA (in.)	*0.5	3.75	1.5	1.38	3	0.12	2.62	4	0.56	0.5 X 4.75	0.5 X 3	10
	*0.75	4.62	1.5	1.69	3.12	0.12	3.25	4	0.69	0.625 X 5	0.5 X 3	11
	1	4.88	1.5	2	3.25	0.25	3.5	4	0.69	0.625 X 5	0.625 X 3	18
	*1.25	5.25	1.5	2.5	3.31	0.25	3.88	4	0.69	0.625 X 5	0.625 X 3	21
	1.5	6.12	1.5	2.88	3.38	0.25	4.5	4	0.81	0.75 X 5.25	0.625 X 3	28
	2	6.5	1.5	3.62	3.38	0.25	5	8	0.69	0.625 X 5	0.625 X 3	33
	2.5	7.5	1.5	4.12	3.5	0.25	5.88	8	0.81	0.75 X 5.25	0.625 X 3	43
	3	8.25	1.5	5	3.5	0.375	6.62	8	0.81	0.75 X 5.25	0.75 X 3	48
	4	10	1.5	6.19	3.62	0.5	7.88	8	0.81	0.75 X 5.25	0.75 X 3	68
	6	12.5	1.5	8.5	3.94	0.5	10.62	12	0.88	0.75 X 5.25	0.75 X 3	100
	8	15	1.62	10.62	4.38	0.5	13	12	1	0.875 X 5.75	0.75 X 3	155
	10	17.5	1.88	12.75	4.62	0.5	15.25	16	1.12	1 X 6.5	1 X 4.5	220
	12	20.5	2	15	5.12	0.5	17.75	16	1.25	1.125 X 7	1 X 4.5	330
	14	23	2.12	16.25	5.62	0.5	20.25	20	1.25	1.125 X 7.25	1 X 4.5	425
	16	25.5	2.25	18.5	5.75	0.5	22.25	20	1.38	1.25 X 7.75	1 X 4.5	590
	18	28	2.38	21	6.25	0.5	24.75	24	1.38	1.25 X 8	1 X 4.5	750
	20	30.5	2.5	23	6.38	0.5	27	24	1.38	1.25 X 8.5	1 X 4.5	910
	22	33	2.69	25.25	6.5	0.5	29.25	24	1.62	1.5 X 9.25	1 X 5.5	1125
24	36	2.75	27.25	6.62	0.5	32	24	1.62	1.5 X 9.5	1 X 5.5	1350	
36	50	4.18	40.25	9.5	0.5	46	32	2.12	2 X 13.25	1 X 6.5	3200	
CLASS 600, DIMENSIONAL DATA (in.)	1	4.88	1.5	2	3.25	0.25	3.5	4	0.75	0.625 X 5	0.625 X 3	19
	1.5	6.12	1.5	2.88	3.375	0.25	4.5	4	0.875	0.75 X 5.25	0.625 X 3	23
	2	6.5	1.5	3.625	3.375	0.25	5	8	0.75	0.625 X 5	0.625 X 3	25
	2.5	7.5	1.5	4.125	3.5	0.25	5.875	8	0.875	0.75 X 5.25	0.625 X 3	33
	3	8.25	1.5	5	3.5	0.375	6.625	8	0.875	0.75 X 5.25	0.75 X 3	45
	4	10.75	1.5	6.19	4	0.5	8.5	8	1	0.875 X 6	0.75 X 4	97
	6	14	1.88	8.5	4.62	0.5	11.5	12	1.12	1 X 7	0.75 X 4	195
	8	16.5	2.19	10.62	5.25	0.5	13.75	12	1.25	1.125 X 7.75	0.75 X 4.5	285
	10	20	2.5	12.75	6	0.5	17	16	1.38	1.25 X 8.75	1 X 5.5	450
	12	22	2.62	15	6.12	0.5	19.25	20	1.38	1.25 X 9	1 X 5.5	540
	14	23.75	2.75	16.25	6.5	0.5	20.75	20	1.5	1.375 X 9.5	1 X 4.5	820
	16	27	3	18.5	7	0.5	23.75	20	1.625	1.5 X 10.25	1 X 5.5	1110
	18	29.25	3.25	21	7.25	0.5	25.75	20	1.75	1.625 X 11	1 X 5.5	1305
	20	32	3.5	23	7.5	0.5	28.5	24	1.75	1.625 X 11.75	1 X 5.5	1624
24	37	4	27.25	8	0.5	33	24	2	1.875 X 13.25	1 X 6.5	2322	

**IN-STOCK ITEMS  
SHIP SAME DAY**

**(713) 941-3797 • Toll Free: (800) 456-8721**  
**www.USAIndustries.com**



## RESTRICTION ORIFICE UNIONS



\* Not all plate types are available in all sizes.

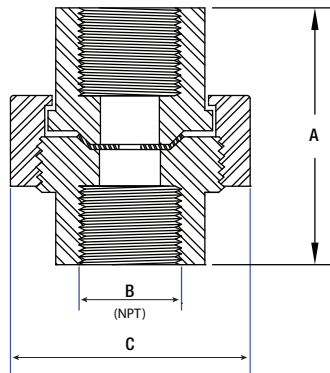


Carbon & stainless steel bodies stocked in pressure ratings of 3,000 psig. Available in line sizes from 1/4" through 2" in both female NPT and Socket-Weld connections. Other sizes and materials available.

Orifices bored to your specifications. All plates are stainless steel and can be ordered separately.

- Available with or without tabbed plate
- Female NPT or Socket-weld Connections
- From 1/4" through 2"
- All recessed plates sealed with a Rubber O-Ring
- Pressed plates are metal to metal sealing

Line Size (in.)	A OAL (in.)	B NPT or SW (in.)	C Hex Size (in.)
1/4	1-3/4	1/4	1-3/8
3/8	1-7/8	3/8	1-5/8
1/2	2	1/2	1-3/4
3/4	2-1/4	3/4	2-3/16
1	2-9/16	1	2-9/16
1-1/4	2-7/8	1-1/4	3-1/6
1-1/2	3-1/8	1-1/2	3-7/16
2	3-1/2	2	4



### When Ordering Specify:

- Line Size
- NPT Thread Size OR Socket Weld Connection
- Plate Type - Recessed (1), Pressed (2), or Pressed with Tab (3)
- Material
- Orifice Bore
- Quantity
- Delivery Date



USA Industries, based in Houston, TX since 1982, is a leading manufacturer of Heat Exchanger Tools & Tooling in the Southern United States. Our extensive inventory includes products for building, repairing, replacing, testing, cleaning, or plugging heat exchangers, condensers, boilers, and air-cooled exchangers. We prioritize both product quality and exceptional customer service, offering quick shipping, typically within 2 hours of a phone call, for stocked items. Since most of our customers work 24/7, we do too. Moreover, we provide cost-effective solutions with our extensive rental fleet, indicated by the RENTAL AVAILABLE symbol in our catalog or by contacting our Rental Department.

**This section includes:**

**EXPANDERS**  
Pages HE-41 — HE-50



**INSTALLATION TOOLS**  
Pages HE-51



**ROLL MOTORS**  
HE-52 — HE-53



**TESTING EQUIPMENT**  
Pages HE-54 — HE-57



**TUBE PULLERS**  
Pages HE-58 — HE-60



**TUBE CUTTERS**  
Pages HE-60 - HE-61



**COLLAPSING/  
KNOCKOUT  
TOOLS**  
Page HE- 62



**BEVELING MACHINES**  
Page HE-63



**CLEANING EQUIPMENT**  
Pages HE-64 — HE-68



**TUBE & HEADER PLUGS**  
SECTION 5



**IN-STOCK ITEMS  
SHIP SAME DAY**

(713) 941-3797 • Toll Free: (800) 456-8721  
[www.USAINdustries.com](http://www.USAINdustries.com)

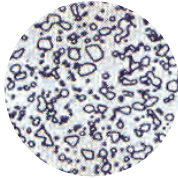


## HEAT EXCHANGER, CONDENSER AND BOILER TOOLS

Whether rolling 1/4" copper tube or 5" boiler tubes, we have a complete line to suit your every need.

*Improvements in the design and manufacture of our tube expanders have been implemented recently.*

Recent advancements have been made in the design and production of our tube expanders. Our expanders offer unparalleled value, combining exceptional tool longevity with competitive pricing. We use top-quality tool steel to craft the Mandrels and Roll Sets, subjecting them to heat treatment followed by cryogenic processing to significantly enhance durability and lifespan.



Before



After

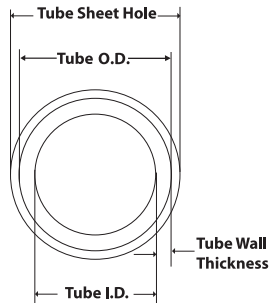
Our Mandrels and Roll Sets undergo state-of-the-art cryogenic and heat treatment procedures, setting them apart as the most robust options on the market. The cryogenic process involves deep chilling for an extended duration, prompting alloy carbides in the steel to precipitate, resulting in a remarkably resilient martensite matrix. This process ensures increased toughness, making the

tools highly resistant to unexpected shocks, while fine carbide precipitates minimize wear. Research indicates a potential doubling in the tool's lifespan, making cryogenic treatment the ultimate choice for tool steels.

## HEAT EXCHANGER, CONDENSER AND BOILER EXPANDERS

### TUBE EXPANDERS - *Tube Expanding Basics*

Tube expanding involves compressing the outer diameter (O.D.) of a tube against a tube sheet or boiler drums to reduce the tube wall. To ensure an effective seal, the tube wall must be reduced by a specified percentage. For precise guidance on Tube Wall Reduction, refer to the chart below.



#### TUBE WALL REDUCTION SET-UP GUIDE

Step A	Measure Tube Sheet Hole	
Step B	Measure Tube OD	
Step C	Calculate Clearance (A-B)	
Step D	Measure Tube ID	
Step E	Calculate Total Tube Wall Thickness (B-D)	
Step F	Calculate 7% Wall Reduction (.07 X E)	
Step G	Calculate Finished Rolled Tube ID (C+D+F)	

Note: Example is for a 7% tube reduction

Some important factors to consider when rolling certain alloys: When rolling 3003 or 4004 Aluminum you should not reduce the walls over 5%. When rolling 6061-T Aluminum, you can reduce the wall 10% to 12%.

**Admiralty Brass** - Tube Wall Reduction is approximately 7-8% and should be well lubricated. Reduction in excess of 15% may cause leaking, splits or flaked tubes.

IN-STOCK ITEMS  
SHIP SAME DAY

(713) 941-3797 • Toll Free: (800) 456-8721  
[www.USAIndustries.com](http://www.USAIndustries.com)

VISA

mastercard

AMERICAN EXPRESS

### Carbon Steel

Tube wall reduction should be approximately 4% to 5%, use a lot of lubrication. It is possible to roll tubes up to 150 Brinell (90 - 120 optimal hardness) with flaking and cracking more likely to occur as the tube hardness increases.

### Copper and Cupro Nickel

Approximately 8% - 10% wall reduction. Copper is easily rolled; however, use plenty of lubrication as it has an abrasive action on tube expanders.

### Stainless Steel and Titanium

Approximately 7% to 8% wall reduction in a serrated hole using 4 or 5 Roll Expanders. When rolling these alloys, the entire wall reduction should be done quickly as materials have a greater tendency to work harden.

### Major Causes of Tube Leaks

Tube joint leakage is usually caused by under-rolling, over-rolling or improper preparation of tube sheets. It is very important to have a clean tube sheet.

#### Under-Rolling

Not enough wall reduction (the tube is not expanded to fill the tube sheet hole). However, it is better to under-roll than to over-roll.

#### Over-Rolling

Too much wall reduction. Over-rolling can do considerable damage to a vessel and causes distortion of tube sheet ligaments and decreases the strength of adjacent tubes, creating premature leaks.

#### Improper Preparation of Tube Holes

The smoother the tube sheet, the easier it is to roll an optimum tube joint. The ligaments and light tube walls make it more important that the finish of the tube hole be in the low micro finish range. Reaming and sizing or burnishing is recommended to get the micro finish desired for tube holes.

#### Preparation of Tube Holes

Preparation of tube holes in heat exchangers and condensers is as follows:

1. Drill and ream tube sheet holes to .006" to .010" over the outside diameter of the tube to be used:  
 $5/8" = .006$   
 $3/4" = .008$   
 $1" = .010$
2. Be certain the ligaments are sufficient to guarantee a safe and permanent tube joint.
3. When conditions permit, utilize a sizing or burnishing tool to further assure a high quality finish in the tube hole. This will also increase the tensile strength of the ligament.
4. The serrations (grooves) to be used will determine the holding power of the tube.
5. It is extremely important when re-tubing that the grooves be clean.

## Quality, Care, Maintenance and Storage of Tube Expanders

### Quality

The tube expanders from USA Industries are crafted from special alloy tool steels, meticulously heat-treated to endure rigorous operating conditions. These tools are manufactured by a highly skilled workforce using cutting-edge machinery and state-of-the-art manufacturing technology.

### Care

Tube expanders are precision tools. After rolling several tubes, immerse the tools in solvent for cleaning and cooling, then dip them in lightweight oil for lubrication. For optimal tube rolling, it's recommended to use two or more tube expanders interchangeably. Replace any worn or chipped mandrels and rolls promptly. For storage, meticulously clean the tools in solvent, replace any worn components, and apply a rust preventive coating or keep them submerged in lightweight oil.

IN-STOCK ITEMS  
SHIP SAME DAY

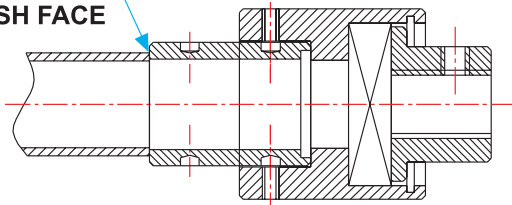
(713) 941-3797 • Toll Free: (800) 456-8721  
[www.USAIndustries.com](http://www.USAIndustries.com)



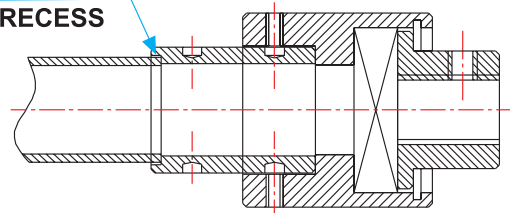
## HEAT EXCHANGER, CONDENSER AND BOILER EXPANDERS

*Reversible Thrust Collar Assembly Provided Standard and in All Tube Expanders*

**COLLAR WITH  
FLUSH FACE**



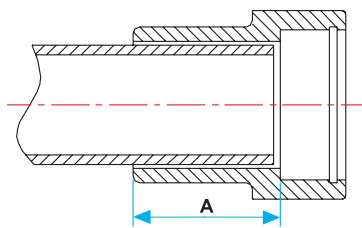
**COLLAR WITH  
FIX RECESS**



Nose portion can be 'reversed' to expand tubes flush with tube sheet and also tubes that are projecting  $\frac{1}{8}$ " from tube sheet. This collar is supplied standard on all tube expanders.

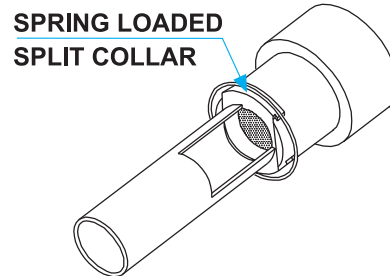
### Thin Wall Thrust Collars

**FULL RECESS THRUST COLLAR**



Used when tubes project varying distances from the tube sheet.

**SPRING LOADED SPLIT COLLAR**



Has an expandable front nose that expands along with the rolls and eliminates the tube from being sucked into the collar.

**IN-STOCK ITEMS  
SHIP SAME DAY**

**(713) 941-3797 • Toll Free: (800) 456-8721**  
**www.USAIndustries.com**





## TUBE EXPANDER INDEX

### Condenser and Heat Exchanger Expanders



**800-3 Series**  
HE-42 - HE-43



**800-5 Series**  
HE-44 - HE-45



**1200-3 Series**  
HE-46 - HE-47



**1200-5 Series**  
HE-48



**8012 Series**  
HE-49 - HE-50

**IN-STOCK ITEMS  
SHIP SAME DAY**

**(713) 941-3797 • Toll Free: (800) 456-8721**  
**[www.USAIndustries.com](http://www.USAIndustries.com)**



## "800" SERIES 3-ROLL TUBE EXPANDER



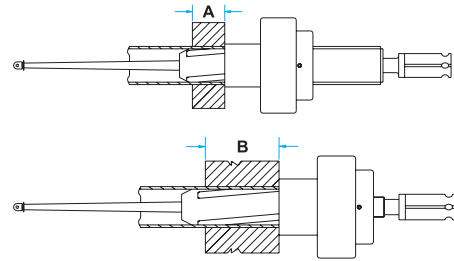
### Features

The most economical tool for Heat Exchangers and Condensers. The **800 Series 3-Roll Expanders** are the most popular worldwide. For tube sizes 1/2" 14 gauge to 1-1/2" 20 gauge, roll sets 1-1/2" or 2-1/4" and roll depths adjustable from 1/2" to 1-1/2" or 1-1/4" to 2-1/4".

*Note: Model 797-856 expanders come with 3/8" square mandrel drives and Model 857-900 expanders come with 1/2" square mandrel drives.*

Tube I.D. Sizes
.334" - 1.43" (8.4mm - 36.3mm)

Roller Length	Roll Depth	
	min "A"	max "B"
1-1/2" (38.1mm)	1/2" (12.7mm)	1-1/2" (38.1mm)
2-1/4" (57.1mm)	1/4" (31.7mm)	2-1/4" (57.1mm)



Tube O.D. (in) (mm)	BWG	Tube I.D.		Expander with 1-1/2" (38.1mm) Long Rollers			Expander with 2-1/4" (57.1mm) Long Rollers			Minimum I.D. Tool Enters		Maximum Expansion of Tool	
		(in)	(mm)	Complete Tool	Mandrel	Roll Set	Complete Tool	Mandrel	Roll Set	(in)	(mm)	(in)	(mm)
1/2" 12.70mm	14	.334	8.4	797	M-797	R-797	-	-	-	.324	8.2	.374	9.5
	15	.356	9.0	799	M-799	R-1	-	-	-	.348	8.8	.398	10.1
	16	.370	9.4	801	M-1	R-1	-	-	-	.360	9.1	.410	10.4
	17	.384	9.7	803	M-1	R-2	-	-	-	.374	9.5	.424	10.7
	18	.402	10.2	805	M-2	R-3	-	-	-	.392	9.9	.447	11.3
5/8" 15.88mm	20	.430	10.9	805 S	M-3	R-3	-	-	-	.406	10.3	.461	11.7
	12	.407	10.3	805	M-2	R-3	-	-	-	.392	9.9	.447	11.3
	13	.435	11.0	807	M-3	R-4	-	-	-	.425	10.8	.480	12.1
	14	.459	11.6	809	M-4	R-4	810	M-4	R-4-A	.449	11.4	.509	12.9
	15	.481	12.2	811	M-5	R-5	812	M-5	R-5-A	.471	11.9	.536	13.6
	16	.495	12.5	813	M-5	R-6	814	M-5	R-6-A	.485	12.3	.550	13.9
	17	.509	12.9	815	M-6	R-6	816	M-6	R-6-A	.499	12.6	.564	14.3
	18	.527	13.3	817	M-7	R-7	818	M-7	R-7-A	.517	13.1	.572	14.5
	19	.541	13.7	819	M-6	R-7	820	M-6	R-7-A	.522	13.2	.582	14.7
	20	.555	14.1	819 S	M-8	R-7	820 S	M-8	R-7-A	.536	13.6	.596	15.1
3/4" 19.05mm	21	.561	14.2	819 S	M-8	R-7	820 S	M-8	R-7-A	.536	13.6	.596	15.1
	22	.569	14.4	819 S	M-8	R-7	820 S	M-8	R-7-A	.536	13.6	.596	15.1
	10	.482	12.2	811	M-5	R-5	812	M-5	R-5-A	.471	11.9	.536	13.6
	11	.510	12.9	815	M-6	R-6	816	M-6	R-6-A	.499	12.6	.564	14.3
	12	.532	13.5	819	M-6	R-7	820	M-6	R-7-A	.522	13.2	.582	14.7
	13	.560	14.2	821	M-8	R-8	822	M-8	R-8-A	.550	13.9	.615	15.6
	14	.584	14.8	823	M-8	R-9	824	M-8	R-9-A	.574	14.5	.639	16.2
	15	.606	15.3	825	M-8	R-10	826	M-8	R-10-A	.596	15.1	.661	16.7
	16	.620	15.7	827	M-9	R-10	828	M-9	R-10-A	.605	15.3	.685	17.4
	17	.634	16.1	829	M-9	R-11	830	M-9	R-11-A	.619	15.7	.699	17.7
	18	.652	16.5	829	M-9	R-11	830	M-9	R-11-A	.619	15.7	.699	17.7
	19	.666	16.9	831	M-9	R-12	832	M-9	R-12-A	.642	16.3	.722	18.3
	20	.680	17.2	831	M-9	R-12	832	M-9	R-12-A	.642	16.3	.722	18.3
7/8" 22.22mm	21	.686	17.4	831	M-9	R-12	832	M-9	R-12-A	.642	16.3	.722	18.3
	22	.694	17.6	831	M-9	R-12	832	M-9	R-12-A	.642	16.3	.722	18.3
	10	.607	15.4	825	M-8	R-10	826	M-8	R-10-A	.596	15.1	.661	16.7
	11	.635	16.1	829	M-9	R-11	830	M-9	R-11-A	.619	15.7	.699	17.7
	12	.657	16.6	831	M-9	R-12	832	M-9	R-12-A	.642	16.3	.722	18.3
	13	.685	17.4	833	M-10	R-13	834	M-10	R-13-A	.670	17.0	.750	19.0
	14	.709	18.0	835	M-11	R-14	836	M-11	R-14-A	.685	17.4	.774	19.6
	15	.731	18.5	837	M-11	R-15	838	M-11	R-15-1	.712	18.0	.801	20.3
16	.745	18.9	839	M-12	R-15	840	M-12	R-15-A	.726	18.4	.815	20.7	
17	.759	19.2	843	M-12	R-16	844	M-12	R-16-A	.740	18.8	.829	21.0	
18	.777	19.7	843	M-12	R-16	844	M-12	R-16-A	.740	18.8	.829	21.0	

**IN-STOCK ITEMS  
SHIP SAME DAY**

(713) 941-3797 • Toll Free: (800) 456-8721  
[www.USAINdustries.com](http://www.USAINdustries.com)





## "800" SERIES 3-ROLL TUBE EXPANDER

Tube O.D. (in) (mm)	BWG	Tube I.D.		Expander with 1-1/2" (38.1mm) Long Rollers			Expander with 2-1/4" (57.1mm) Long Rollers			Minimum I.D. Tool Enters		Maximum Expansion of Tool	
		(in)	(mm)	Complete Tool	Mandrel	Roll Set	Complete Tool	Mandrel	Roll Set	(in)	(mm)	(in)	(mm)
1" 25.40mm	8	.670	17.0	841	M-9	R-13	842	M-9	R-13-A	.655	16.6	.735	18.6
	9	.704	17.8	835	M-11	R-14	836	M-11	R-14-A	.685	17.4	.774	19.6
	10	.732	18.5	837	M-11	R-15	838	M-11	R-15-A	.712	18.0	.801	20.3
	11	.760	19.3	843	M-12	R-16	844	M-12	R-16-A	.740	18.8	.829	21.1
	12	.782	19.8	845	M-12	R-17	846	M-12	R-17-A	.763	19.3	.852	21.6
	13	.810	20.5	847	M-12	R-18	848	M-12	R-18-A	.791	20.0	.880	22.3
	14	.834	21.1	849	M-13	R-18	850	M-13	R-18-A	.810	20.5	.909	23.1
	15	.856	21.7	851	M-13	R-19	852	M-13	R-19-A	.837	21.2	.936	23.7
	16	.870	22.1	851	M-13	R-19	852	M-13	R-19-A	.837	21.2	.936	23.7
	17	.884	22.4	855	M-13	R-21	856	M-13	R-21-A	.865	21.9	.964	24.4
	18	.902	22.9	855	M-13	R-21	856	M-13	R-21-A	.865	21.9	.964	24.4
19	.916	23.2	855	M-13	R-21	856	M-13	R-21-A	.865	21.9	.964	24.4	
20	.930	23.6	855	M-13	R-21	856	M-13	R-21-A	.865	21.9	.964	24.4	
1-1/8" 28.58mm	8	.795	20.1	853	M-13	R-20	854	M-13	R-20-A	.776	19.7	.875	22.2
	9	.829	21.0	849	M-13	R-18	850	M-13	R-18-A	.810	20.5	.909	23.1
	10	.857	21.7	851	M-13	R-19	852	M-13	R-19-A	.837	21.2	.936	23.7
	11	.885	22.4	855	M-13	R-21	856	M-13	R-21-A	.865	21.9	.964	24.4
	12	.907	23.0	857	M-14	R-21	858	M-14	R-21-A	.883	22.4	.982	24.9
	13	.935	23.7	859	M-14	R-22	860	M-14	R-22-A	.916	23.2	1.015	25.7
	14	.959	24.3	861	M-15	R-23	862	M-15	R-23-A	.935	23.7	1.044	26.5
	15	.981	24.9	863	M-15	R-24	864	M-15	R-24-A	.962	24.4	1.071	27.2
	16	.995	25.2	863	M-15	R-24	864	M-15	R-24-A	.962	24.4	1.071	27.2
	17	1.010	25.6	867	M-16	R-26	868	M-16	R-26-A	.990	25.1	1.009	27.9
	18	1.027	26.0	867	M-16	R-26	868	M-16	R-26-A	.990	25.1	1.009	27.9
1-1/4" 31.75mm	8	.920	23.3	865	M-15	R-25	866	M-15	R-25-A	.901	22.8	1.010	25.6
	9	.954	24.2	861	M-15	R-23	862	M-15	R-23-A	.935	23.7	1.044	26.5
	10	.982	24.9	863	M-15	R-24	864	M-15	R-24-A	.962	24.4	1.071	27.2
	11	1.010	25.6	867	M-16	R-26	868	M-16	R-26-A	.990	25.1	1.099	27.9
	12	1.032	26.2	869	M-16	R-27	870	M-16	R-27-A	1.013	25.7	1.122	28.5
	13	1.060	26.9	871	M-17	R-28	872	M-17	R-28-A	1.039	26.4	1.150	29.2
	14	1.084	27.5	873	M-17	R-29	874	M-17	R-29-A	1.060	26.9	1.169	29.6
	15	1.106	28.0	875	M-17	R-30	876	M-17	R-30-A	1.087	27.6	1.196	30.3
	16	1.120	28.4	875	M-17	R-30	876	M-17	R-30-A	1.087	27.6	1.196	30.3
	17	1.134	28.8	879	M-18	R-30	880	M-18	R-30-A	1.115	28.3	1.224	31.0
	18	1.152	29.2	879	M-18	R-30	880	M-18	R-30-A	1.115	28.3	1.224	31.0
1-3/8" 34.92mm	8	1.045	26.5	877	M-17	R-31	878	M-17	R-31-A	1.026	26.0	1.135	28.8
	9	1.079	27.4	873	M-17	R-29	874	M-17	R-29-A	1.060	26.9	1.169	29.6
	10	1.107	28.1	875	M-17	R-30	876	M-17	R-30-A	1.087	27.6	1.196	30.3
	11	1.135	28.8	879	M-18	R-30	880	M-18	R-30-A	1.115	28.3	1.224	31.0
	12	1.157	29.3	881	M-18	R-32	882	M-18	R-32-A	1.133	28.7	1.242	31.5
	13	1.185	30.1	883	M-19	R-33	884	M-19	R-33-A	1.160	29.4	1.275	32.3
	14	1.209	30.7	885	M-20	R-34	886	M-20	R-34-A	1.179	29.9	1.294	32.8
	15	1.231	31.2	887	M-20	R-35	888	M-20	R-35-A	1.206	30.6	1.321	33.5
	16	1.245	31.6	887	M-20	R-35	888	M-20	R-35-A	1.206	30.6	1.321	33.5
	17	1.270	32.3	889	M-21	R-37	890	M-21	R-37-A	1.235	31.3	1.350	34.2
	18	1.282	32.5	893	M-20	R-37	894	M-20	R-37-A	1.257	31.9	1.372	34.8
1-1/2" 38.1mm	8	1.170	29.7	889	M-19	R-34	890	M-19	R-34-A	1.145	29.0	1.260	32.0
	9	1.204	30.5	885	M-20	R-34	886	M-20	R-34-A	1.177	29.9	1.294	32.8
	10	1.232	31.2	887	M-20	R-35	888	M-20	R-35-A	1.206	30.6	1.321	33.5
	11	1.260	32.0	891	M-20	R-36	892	M-20	R-36-A	1.235	31.3	1.350	34.2
	12	1.282	32.5	893	M-20	R-37	894	M-20	R-37-A	1.257	31.9	1.372	34.8
	13	1.310	33.2	895	M-21	R-37	896	M-21	R-37-A	1.285	32.6	1.400	35.5
	14	1.334	33.8	895	M-21	R-37	896	M-21	R-37-A	1.285	32.6	1.400	35.5
	15	1.356	34.4	897	M-21	R-38	898	M-21	R-38-A	1.331	33.8	1.446	36.7
	16	1.370	34.8	897	M-21	R-38	898	M-21	R-38-A	1.331	33.8	1.446	36.7
	17	1.384	35.1	899	M-22	R-38	900	M-22	R-38-A	1.331	33.8	1.472	37.3
	18	1.402	35.6	899	M-22	R-38	900	M-22	R-38-A	1.331	33.8	1.472	37.3
19	1.416	35.9	899	M-22	R-38	900	M-22	R-38-A	1.331	33.8	1.472	37.3	
20	1.430	36.3	899	M-22	R-38	900	M-22	R-38-A	1.331	33.8	1.472	37.3	

**IN-STOCK ITEMS  
SHIP SAME DAY**

(713) 941-3797 • Toll Free: (800) 456-8721  
[www.USAIndustries.com](http://www.USAIndustries.com)



## "800" SERIES 5-ROLL TUBE EXPANDER



### Features

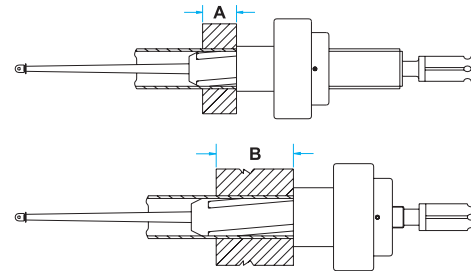
**800 Series 5-Roll Expanders** are ideally suited to expand thin wall tubes (19 through 24 gauge walls) of titanium, stainless steel, incoloy and other exotic metals.

For tube sizes 5/8" 17 gauge to 1-1/2" 24 gauge, with roll depths adjustable from 1/2" to 1-1/2" for 1-1/2" rollers and 1-1/4" to 2-1/4" for 2-1/4" rollers.

*Note: Model 815-5 to 858-5 come with 3/8" square mandrel drives and Model 859-5 to 900-5 come with 1/2" square mandrel drives.*

Tube I.D. Sizes
.509" - 1.44" (12.9mm - 37.0mm)

Roller Length	Roll Depth	
	min "A"	max "B"
1-1/2" (38.1mm)	1/2" (12.7mm)	1-1/2" (38.1mm)
2-1/4" (57.1mm)	1/4" (31.7mm)	2-1/4" (57.1mm)



Tube O.D.	BWG	Tube I.D.		Expander with 1-1/2" (38.10mm) Long Rollers			Expander with 2-1/4" (57.15mm) Long Rollers			Minimum I.D. Tool Enters		Maximum Expansion of Tool	
		(in)	(mm)	Complete Tool	Mandrel	Roll Set	Complete Tool	Mandrel	Roll Set	(in)	(mm)	(in)	(mm)
5/8" 15.88mm	17	.509	12.9	815-5	M-816-5	R-4-5	816-5	M-816-5	R-4-A-5	.499	12.6	.564	14.3
	18	.527	13.3	817-5	M9	R-4-5	-	-	-	.517	13.1	.576	14.6
	19	.541	13.7	819-5	M-820-5	R-4-5	820-5	M-820-5	R-4-A-5	.522	13.2	.582	14.8
	20	.555	14.1	819-5 S	M-820-5 S	R-4-5	820-5 S	M-820-5 S	R-4-A-5	.536	13.6	.596	15.1
	21	.561	14.2	819-5 S	M-820-5 S	R-4-5	820-5 S	M-820-5 S	R-4-A-5	.536	13.6	.596	15.1
	22	.569	14.4	819-5 S	M-820-5 S	R-4-5	820-5 S	M-820-5 S	R-4-A-5	.536	13.6	.596	15.1
3/4" 19.65mm	13	.560	14.2	821-5	M-822-5	R-5-5	822-5	M-822-5	R-5-A-5	.550	13.9	.615	15.6
	14	.584	14.8	823-5	M-824-5	R-6-5	824-5	M-824-5	R-6-A-5	.574	14.5	.629	15.9
	15	.606	15.3	825-5	M-826-5	R-7-5	826-5	M-826-5	R-7-A-5	.590	14.9	.661	16.8
	16	.620	15.7	827-5	M-13	R-7-5	828-5	M-13	R-7-A-5	.605	15.3	.680	17.2
	17	.634	16.1	829-5	M-830-5	R-7-5	830-5	M-830-5	R-7-A-5	.619	15.7	.699	17.8
	18	.652	16.5	829-5	M-830-5	R-7-5	830-5	M-830-5	R-7-A-5	.619	15.7	.699	17.8
	19	.666	16.9	831-5	M-13	R-9-5	832-5	M-13	R-9-A-5	.642	16.3	.729	18.5
	20	.680	17.2	831-5	M-13	R-9-5	832-5	M-13	R-9-A-5	.642	16.3	.729	18.5
	21	.686	17.4	831-5	M-13	R-9-5	832-5	M-13	R-9-A-5	.642	16.3	.729	18.5
	22	.694	17.6	831-5	M-13	R-9-5	832-5	M-13	R-9-A-5	.642	16.3	.729	18.5
	23	.700	17.8	833-5	M-14-3/8	R-9-5	834-5	M-14-3/8	R-9-A-5	.670	17.0	.747	18.9
24	.706	17.9	833-5	M-14-3/8	R-9-5	834-5	M-14-3/8	R-9-A-5	.670	17.0	.747	18.9	
7/8" 22.22mm	25	.710	18.0	833-5	M-840-5	R-10-5	836-5	M-840-5	R-10-A-5	.685	17.4	.750	19.0
	13	.685	17.4	833-5	M-14-3/8	R-9-5	834-5	M-14-3/8	R-9-A-5	.670	17.0	.747	18.9
	14	.709	18.0	835-5	M-15-3/8	R-10-5	836-5	M-15-3/8	R-10-A-5	.685	17.4	.750	19.0
	16	.745	18.9	839-5	M-840-5	R-11-5	840-5	M-840-5	R-11-A-5	.726	18.4	.800	20.3
	17	.759	19.2	843-5	M-17-3/8	R-11-5	844-5	M-17-3/8	R-11-A-5	.740	18.8	.824	20.9
	18	.777	19.7	843-5	M-17-3/8	R-11-5	844-5	M-17-3/8	R-11-A-5	.740	18.8	.824	20.9
	19	.791	20.1	845-5	M-18-3/8	R-11-5	846-5	M-18-3/8	R-11-A-5	.763	19.4	.851	21.6
	20	.805	20.4	845-5	M-18-3/8	R-11-5	846-5	M-18-3/8	R-11-A-5	.763	19.4	.851	21.6
	21	.811	20.6	845-5	M-18-3/8	R-11-5	846-5	M-18-3/8	R-11-A-5	.763	19.4	.851	21.6
	22	.819	20.8	845-5	M-18-3/8	R-11-5	846-5	M-18-3/8	R-11-A-5	.763	19.4	.851	21.6
	23	.825	20.9	847-5	M-18-3/8	R-13-5	848-5	M-18-3/8	R-13-A-5	.791	20.1	.880	22.4
24	.831	21.1	847-5	M-18-3/8	R-13-5	848-5	M-18-3/8	R-13-A-5	.791	20.1	.880	22.4	

**IN-STOCK ITEMS  
SHIP SAME DAY**

**(713) 941-3797 • Toll Free: (800) 456-8721**  
**www.USAINdustries.com**





## "800" SERIES 5-ROLL TUBE EXPANDER

Tube O.D.	BWG	Tube I.D.		Expander with 1-1/2" (38.10mm) Long Rollers			Expander with 2-1/4" (57.15mm) Long Rollers			Minimum I.D. Tool Enters		Maximum Expansion of Tool	
		(in)	(mm)	Complete Tool	Mandrel	Roll Set	Complete Tool	Mandrel	Roll Set	(in)	(mm)	(in)	(mm)
1" 25.40mm	12	.782	19.8	845-5	M-18-3/8	R-11-5	846-5	M-18-3/8	R-11-A-5	.763	19.3	.852	21.6
	13	.810	20.5	847-5	M-18-3/8	R-13-5	848-5	M-18-3/8	R-13-A-5	.791	20.0	.880	22.4
	14	.834	21.2	849-5	M-850-5	R-12-5	850-5	M-18-3/8	R-12-A-5	.810	20.5	.909	23.2
	15	.856	21.7	851-5	M-852-5	R-13-5	852-5	M-852-5	R-13-A-5	.837	21.2	.936	23.8
	16	.870	22.1	851-5	M-852-5	R-13-5	852-5	M-852-5	R-13-A-5	.837	21.2	.936	23.8
	17	.884	22.4	855-5	M-856-5	R-13-5	856-5	M-856-5	R-13-A-5	.865	21.9	.965	24.5
	18	.902	22.9	855-5	M-856-5	R-13-5	856-5	M-856-5	R-13-A-5	.865	21.9	.965	24.5
	19	.916	23.2	855-5	M-856-5	R-13-5	856-5	M-856-5	R-13-A-5	.865	21.9	.965	24.5
	20	.930	23.6	855-5	M-856-5	R-13-5	856-5	M-856-5	R-13-A-5	.865	21.9	.965	24.5
	21	.936	23.8	857-5	M-21-3/8	R-15-5	858-5	M-21-3/8	R-15-A-5	.883	22.4	.997	25.3
	22	.944	24.0	857-5	M-21-3/8	R-15-5	858-5	M-21-3/8	R-15-A-5	.883	22.4	.997	25.3
	23	.950	24.1	857-5	M-21-3/8	R-15-5	858-5	M-21-3/8	R-15-A-5	.883	22.4	.997	25.3
	24	.956	24.3	857-5	M-21-3/8	R-15-5	858-5	M-21-3/8	R-15-A-5	.883	22.4	.997	25.3
1-1/8" 28.58mm	25	.960	24.4	857-5	M-21-3/8	R-15-5	858-5	M-21-3/8	R-15-A-5	.883	22.4	.997	25.3
	12	.907	23.0	857-5	M-21-3/8	R-15-5	858-5	M-21-3/8	R-15-A-5	.883	22.4	.997	25.3
	13	.935	23.7	859-5	M-860-5	R-16-5	860-5	M-860-5	R-16-A-5	.916	23.2	1.000	25.4
	14	.959	24.3	861-5	M-862-5	R-17-5	862-5	M-862-5	R-17-A-5	.935	23.7	1.039	26.4
1-1/4" 31.75mm	22	1.069	27.2	871-5	M-872-5	R-19-5	872-5	M-872-5	R-19-A-5	1.039	26.4	1.157	29.4
	24	1.081	27.5	871-5	M-872-5	R-19-5	872-5	M-872-5	R-19-A-5	1.039	26.4	1.157	29.4
	15	1.106	28.1	875-5	M-876-5	R-21-5	876-5	M-876-5	R-21-A-5	1.087	27.6	1.196	30.4
	16	1.120	28.4	875-5	M-876-5	R-21-5	876-5	M-876-5	R-21-A-5	1.087	27.6	1.196	30.4
	17	1.134	28.8	879-5	M-880-5	R-21-5	880-5	M-880-5	R-21-A-5	1.115	28.3	1.231	31.3
	18	1.152	29.3	879-5	M-880-5	R-21-5	880-5	M-880-5	R-21-A-5	1.115	28.3	1.231	31.3
	19	1.166	29.6	879-5	M-880-5	R-21-5	880-5	M-880-5	R-21-A-5	1.115	28.3	1.231	31.3
	20	1.180	30.0	879-5	M-880-5	R-21-5	880-5	M-880-5	R-21-A-5	1.115	28.3	1.231	31.3
	21	1.186	30.1	879-5	M-880-5	R-21-5	880-5	M-880-5	R-21-A-5	1.115	28.3	1.231	31.3
	22	1.194	30.3	879-5	M-880-5	R-21-5	880-5	M-880-5	R-21-A-5	1.115	28.3	1.231	31.3
1-3/8" 34.92mm	23	1.200	30.5	881-5	M-882-5	R-21-5	882-5	M-882-5	R-21-A-5	1.133	28.8	1.242	31.5
	24	1.206	30.6	881-5	M-882-5	R-21-5	882-5	M-882-5	R-21-A-5	1.133	28.8	1.242	31.5
	12	1.154	29.3	881-5	M-882-5	R-21-5	880-5	M-880-5	R-21-A-5	1.133	28.8	1.242	31.5
	14	1.209	30.7	885-5	M-882-5	R-23-5	886-5	M-882-5	R-23-A-5	1.179	29.9	1.296	32.9
	20	1.305	33.2	893-5	M-894-5	R-26-5	894-5	M-894-5	R-26-A-5	1.257	31.9	1.385	35.2
1-1/2" 38.10mm	22	1.319	33.5	895-5	M-896-5	R-26-5	896-5	M-896-5	R-26-A-5	1.285	32.6	1.417	36.0
	24	1.331	33.8	895-5	M-896-5	R-26-5	896-5	M-896-5	R-26-A-5	1.285	32.6	1.417	36.0
	17	1.384	35.1	899-5	M-900-5	R-29-5	900-5	M-900-5	R-29-A-5	1.331	33.8	1.489	37.8
	18	1.402	35.6	899-5	M-900-5	R-29-5	900-5	M-900-5	R-29-A-5	1.331	33.8	1.489	37.8
	19	1.416	36.0	899-5	M-900-5	R-29-5	900-5	M-900-5	R-29-A-5	1.331	33.8	1.489	37.8
	20	1.430	36.3	899-5	M-900-5	R-29-5	900-5	M-900-5	R-29-A-5	1.331	33.8	1.489	37.8
	21	1.436	36.5	899-5	M-900-5	R-29-5	900-5	M-900-5	R-29-A-5	1.331	33.8	1.489	37.8
	22	1.444	36.7	899-5	M-900-5	R-29-5	900-5	M-900-5	R-29-A-5	1.331	33.8	1.489	37.8
23	1.450	36.8	899-5	M-900-5	R-29-5	900-5	M-900-5	R-29-A-5	1.331	33.8	1.489	37.8	
24	1.456	37.0	899-5	M-900-5	R-29-5	900-5	M-900-5	R-29-A-5	1.331	33.8	1.489	37.8	

**IN-STOCK ITEMS  
SHIP SAME DAY**

(713) 941-3797 • Toll Free: (800) 456-8721  
[www.USAIndustries.com](http://www.USAIndustries.com)



## "1200" SERIES 3-ROLL TUBE EXPANDER

### Features

The **1200 Series 3-Roll Tube Expanders** are the most versatile for thick tubesheets, available. There are 4 different length options, and they can be provided in lengths up to 60" (& longer) upon request.

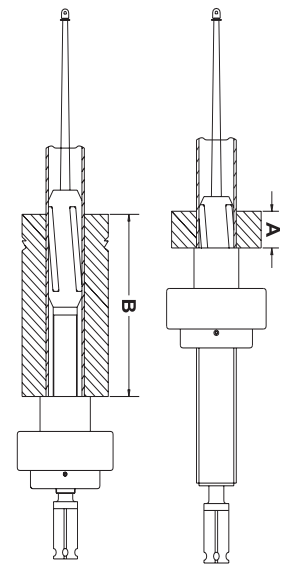
For tube sizes 1/2" 14 gauge to 1-1/2" 20 gauge, roll sets 1-1/2" or 2-1/4" and roll depths adjustable from: STD reach 1-1/2" to 6" - A reach from 1-1/2" to 8" - B reach from 1-1/2" to 10" - C reach from 1-1/2" to 12" for 1-1/2" roller lengths; STD reach from 2-1/4 to 6-3/4" - A reach from 2-1/4" to 8-3/4" - B reach from 2-1/4" to 10-3/4" - C reach from 2-1/4" to 12-3/4" for 2-1/4" roller lengths.

*Note: Model 1197-1256 expanders come with 3/8" mandrel drives and Model 1257-1300 expanders come with 1/2" square mandrel drives.*

Tube I.D. Sizes
.334" - 1.43" (8.4mm - 36.3mm)

Roller Length		Roll Depth	
		min "A"	max "B"
1-1/2" (38.1mm)	STD Reach	1-1/2" (38.1mm)	6" (152.4mm)
	A Reach	1-1/2" (38.1mm)	8" (203.2mm)
	B Reach	1-1/2" (38.1mm)	10" (253.8mm)
	C Reach	1-1/2" (38.1mm)	12" (304.6mm)
2-1/4" (57.1mm)	STD Reach	2-1/4" (57.1mm)	6-3/4" (171.4mm)
	A Reach	2-1/4" (57.1mm)	8-3/4" (221.1mm)
	B Reach	2-1/4" (57.1mm)	10-3/4" (272.8mm)
	C Reach	2-1/4" (57.1mm)	12-3/4" (323.6mm)

Tube O.D.	BWG	Tube I.D.		Expander with 1-1/2" (38.1mm) Long Rollers			Expander with 2-1/4" (57.1mm) Long Rollers			Minimum I.D. Tool Enters		Maximum Expansion of Tool	
		(in)	(mm)	Complete Tool	Mandrel	Roll Set	Complete Tool	Mandrel	Roll Set	(in)	(mm)	(in)	(mm)
1/2" 12.70mm	14	.334	8.4	1197	M-1197	R-797	-	-	-	.324	8.2	.374	9.5
	15	.356	9.0	1199	M-1199	R-1	-	-	-	.348	8.8	.398	10.1
	16	.370	9.4	1201	M-51	R-1	-	-	-	.360	9.1	.410	10.4
	17	.384	9.7	1203	M-51	R-2	-	-	-	.374	9.5	.424	10.7
	18	.402	10.2	1205	M-52	R-3	-	-	-	.392	9.9	.447	11.3
	20	.430	10.9	1205 S	M-53	R-3	-	-	-	.406	10.3	.461	11.7
5/8" 15.88mm	12	.407	10.3	1205	M-52	R-3	-	-	-	.392	9.9	.447	11.3
	13	.435	11.0	1207	M-53	R-4	-	-	-	.425	10.8	.480	12.1
	14	.459	11.6	1209	M-54	R-4	1210	M-54	R-4-A	.449	11.4	.509	12.9
	15	.481	12.2	1211	M-55	R-5	1212	M-55	R-5-A	.471	11.9	.536	13.6
	16	.495	12.5	1213	M-55	R-6	1214	M-55	R-6-A	.485	12.3	.550	13.9
	17	.509	12.9	1215	M-56	R-6	1216	M-56	R-6-A	.499	12.6	.564	14.3
	18	.527	13.3	1217	M-57	R-7	1218	M-57	R-7-A	.517	13.1	.572	14.5
	19	.541	13.7	1219	M-56	R-7	1220	M-56	R-7-A	.522	13.2	.582	14.7
	20	.555	14.1	1219 S	M-58	R-7	1220 S	M-58	R-7-A	.536	13.6	.596	15.1
	21	.561	14.2	1219 S	M-58	R-7	1220 S	M-58	R-7-A	.536	13.6	.596	15.1
	22	.569	14.4	1219 S	M-58	R-7	1220 S	M-58	R-7-A	.536	13.6	.596	15.1
	3/4" 19.05mm	10	.482	12.2	1211	M-55	R-5	1212	M-55	R-5-A	.471	11.9	.536
11		.510	12.9	1215	M-56	R-6	1216	M-56	R-6-A	.499	12.6	.564	14.3
12		.532	13.5	1219	M-56	R-7	1220	M-56	R-7-A	.522	13.2	.582	14.7
13		.560	14.2	1221	M-58	R-8	1222	M-58	R-8-A	.550	13.9	.615	15.6
14		.584	14.8	1223	M-58	R-9	1224	M-58	R-9-A	.574	14.5	.639	16.2
15		.606	15.3	1225	M-58	R-10	1226	M-58	R-10-A	.596	15.1	.661	16.7
16		.620	15.7	1227	M-59	R-10	1228	M-59	R-10-A	.605	15.3	.685	17.4
17		.634	16.1	1229	M-59	R-11	1230	M-59	R-11-A	.619	15.7	.699	17.7
18		.652	16.5	1229	M-59	R-11	1230	M-59	R-11-A	.619	15.7	.699	17.7
19		.666	16.9	1231	M-59	R-12	1232	M-59	R-12-A	.642	16.3	.722	18.3
20		.680	17.2	1231	M-59	R-12	1232	M-59	R-12-A	.642	16.3	.722	18.3
21		.686	17.4	1231	M-59	R-12	1232	M-59	R-12-A	.642	16.3	.722	18.3
22	.694	17.6	1231	M-59	R-12	1232	M-59	R-12-A	.642	16.3	.722	18.3	
7/8" 22.22mm	10	.607	15.4	1225	M-58	R-10	1226	M-58	R-10-A	.596	15.1	.661	16.7
	11	.635	16.1	1229	M-59	R-11	1230	M-59	R-11-A	.619	15.7	.699	17.7
	12	.657	16.6	1231	M-59	R-12	1232	M-59	R-12-A	.642	16.3	.722	18.3
	13	.685	17.4	1233	M-60	R-13	1234	M-60	R-13-A	.670	17.0	.750	19.0
	14	.709	18.0	1235	M-61	R-14	1236	M-61	R-14-A	.685	17.4	.774	19.6
	15	.731	18.5	1237	M-61	R-15	1238	M-61	R-15-1	.712	18.0	.801	20.3
	16	.745	18.9	1239	M-62	R-15	1240	M-62	R-15-A	.726	18.4	.815	20.7
	17	.759	19.2	1243	M-62	R-16	1244	M-62	R-16-A	.740	18.8	.829	21.0
18	.777	19.7	1243	M-62	R-16	1244	M-62	R-16-A	.740	18.8	.829	21.0	



**IN-STOCK ITEMS  
SHIP SAME DAY**

**(713) 941-3797 • Toll Free: (800) 456-8721**  
**www.USAINdustries.com**





## "1200" SERIES 3-ROLL TUBE EXPANDER

Tube O.D. (in) (mm)	BWG	Tube I.D.		Expander with 1-1/2" (38.1mm) Long Rollers			Expander with 2-1/4" (57.1mm) Long Rollers			Minimum I.D. Tool Enters		Maximum Expansion of Tool	
		(in)	(mm)	Complete Tool	Mandrel	Roll Set	Complete Tool	Mandrel	Roll Set	(in)	(mm)	(in)	(mm)
1" 25.40mm	8	.670	17.0	1241	M-59	R-13	1242	M-59	R-13-A	.655	16.6	.735	18.6
	9	.704	17.8	1235	M-61	R-14	1236	M-61	R-14-A	.685	17.4	.774	19.6
	10	.732	18.5	1237	M-61	R-15	1238	M-61	R-15-A	.712	18.0	.801	20.3
	11	.760	19.3	1243	M-62	R-16	1244	M-62	R-16-A	.740	18.8	.829	21.1
	12	.782	19.8	1245	M-62	R-17	1246	M-62	R-17-A	.763	19.3	.852	21.6
	13	.810	20.5	1247	M-62	R-18	1248	M-62	R-18-A	.791	20.0	.880	22.3
	14	.834	21.1	1249	M-63	R-18	1250	M-63	R-18-A	.810	20.5	.909	23.1
	15	.856	21.7	1251	M-63	R-19	1252	M-63	R-19-A	.837	21.2	.936	23.7
	16	.870	22.1	1251	M-63	R-19	1252	M-63	R-19-A	.837	21.2	.936	23.7
	17	.884	22.4	1255	M-63	R-21	1256	M-63	R-21-A	.865	21.9	.964	24.4
	18	.902	22.9	1255	M-63	R-21	1256	M-63	R-21-A	.865	21.9	.964	24.4
1-1/8" 28.58mm	9	.829	21.0	1249	M-63	R-18	1250	M-63	R-18-A	.810	20.5	.909	23.1
	10	.857	21.7	1251	M-63	R-19	1252	M-63	R-19-A	.837	21.2	.936	23.7
	11	.885	22.4	1255	M-63	R-21	1256	M-63	R-21-A	.865	21.9	.964	24.4
	12	.907	23.0	1257	M-64	R-21	1258	M-64	R-21-A	.883	22.4	.982	24.9
	13	.935	23.7	1259	M-64	R-22	1260	M-64	R-22-A	.916	23.2	1.015	25.7
	14	.959	24.3	1261	M-65	R-23	1262	M-65	R-23-A	.935	23.7	1.044	26.5
	15	.981	24.9	1263	M-65	R-24	1264	M-65	R-24-A	.962	24.4	1.071	27.2
	16	.995	25.2	1263	M-65	R-24	1264	M-65	R-24-A	.962	24.4	1.071	27.2
	17	1.010	25.6	1267	M-66	R-26	1268	M-66	R-26-A	.990	25.1	1.009	27.9
	18	1.027	26.0	1267	M-66	R-26	1268	M-66	R-26-A	.990	25.1	1.009	27.9
	19	.920	23.3	1265	M-65	R-25	1266	M-65	R-25-A	.901	22.8	1.010	25.6
1-1/4" 31.75mm	9	.954	24.2	1261	M-65	R-23	1262	M-65	R-23-A	.935	23.7	1.044	26.5
	10	.982	24.9	1263	M-65	R-24	1264	M-65	R-24-A	.962	24.4	1.071	27.2
	11	1.010	25.6	1267	M-66	R-26	1268	M-66	R-26-A	.990	25.1	1.099	27.9
	12	1.032	26.2	1269	M-66	R-27	1270	M-66	R-27-A	1.013	25.7	1.122	28.5
	13	1.060	26.9	1271	M-67	R-28	1272	M-67	R-28-A	1.039	26.4	1.150	29.2
	14	1.084	27.5	1273	M-67	R-29	1274	M-67	R-29-A	1.060	26.9	1.169	29.6
	15	1.106	28.0	1275	M-67	R-30	1276	M-67	R-30-A	1.087	27.6	1.196	30.3
	16	1.120	28.4	1275	M-67	R-30	1276	M-67	R-30-A	1.087	27.6	1.196	30.3
	17	1.134	28.8	1279	M-68	R-30	1280	M-68	R-30-A	1.115	28.3	1.224	31.0
	18	1.152	29.2	1279	M-68	R-30	1280	M-68	R-30-A	1.115	28.3	1.224	31.0
	19	1.045	26.5	1277	M-67	R-31	1278	M-67	R-31-A	1.026	26.0	1.135	28.8
1-3/8" 34.92mm	9	1.079	27.4	1273	M-67	R-29	1274	M-67	R-29-A	1.060	26.9	1.169	29.6
	10	1.107	28.1	1275	M-67	R-30	1276	M-67	R-30-A	1.087	27.6	1.196	30.3
	11	1.135	28.8	1279	M-68	R-30	1280	M-68	R-30-A	1.115	28.3	1.224	31.0
	12	1.157	29.3	1281	M-68	R-32	1282	M-68	R-32-A	1.133	28.7	1.242	31.5
	13	1.185	30.1	1283	M-69	R-33	1284	M-69	R-33-A	1.160	29.4	1.275	32.3
	14	1.209	30.7	1285	M-70	R-34	1286	M-70	R-34-A	1.179	29.9	1.294	32.8
	15	1.231	31.2	1287	M-70	R-35	1288	M-70	R-35-A	1.206	30.6	1.321	33.5
	16	1.245	31.6	1287	M-70	R-25	1288	M-70	R-25-A	1.206	30.6	1.321	33.5
	17	1.170	29.7	1289	M-69	R-34	1290	M-69	R-34-A	1.145	29.0	1.260	32.0
	18	1.204	30.5	1285	M-70	R-34	1286	M-70	R-34-A	1.177	29.9	1.294	32.8
	19	1.232	31.2	1287	M-70	R-35	1288	M-70	R-35-A	1.206	30.6	1.321	33.5
1-1/2" 38.1mm	10	1.260	32.0	1291	M-70	R-36	1292	M-70	R-36-A	1.235	31.3	1.350	34.2
	11	1.282	32.5	1293	M-70	R-37	1294	M-70	R-37-A	1.257	31.9	1.372	34.8
	12	1.310	33.2	1295	M-71	R-37	1296	M-71	R-37-A	1.285	32.6	1.400	35.5
	13	1.334	33.8	1295	M-71	R-37	1296	M-71	R-37-A	1.285	32.6	1.400	35.5
	14	1.356	34.4	1297	M-71	R-38	1298	M-71	R-38-A	1.331	33.8	1.446	36.7
	15	1.370	34.8	1297	M-71	R-38	1298	M-71	R-38-A	1.331	33.8	1.446	36.7
	16	1.384	35.1	1299	M-72	R-38	1300	M-72	R-38-A	1.331	33.8	1.472	37.3
	17	1.402	35.6	1299	M-72	R-38	1300	M-72	R-38-A	1.331	33.8	1.472	37.3
	18	1.416	35.9	1299	M-72	R-38	1300	M-72	R-38-A	1.331	33.8	1.472	37.3
	19	1.430	36.3	1299	M-72	R-38	1300	M-72	R-38-A	1.331	33.8	1.472	37.3
	20	1.430	36.3	1299	M-72	R-38	1300	M-72	R-38-A	1.331	33.8	1.472	37.3

**IN-STOCK ITEMS  
SHIP SAME DAY**

(713) 941-3797 • Toll Free: (800) 456-8721  
[www.USAINdustries.com](http://www.USAINdustries.com)



## "1200" SERIES 5-ROLL TUBE EXPANDER



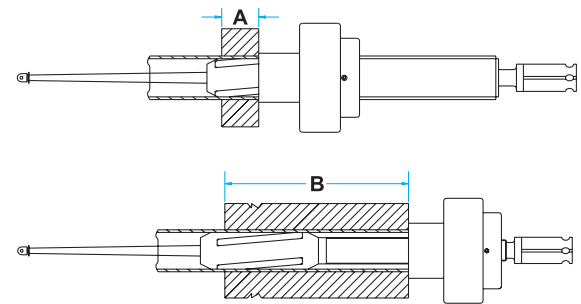
### Features

The **1200 Series 5-Roll Expanders** are ideally suited to expand thin wall tubes of titanium, stainless steel, incoloy and other exotic metals with thick tube sheets. It gives a more concentric and even expansion when expanding thin wall tubes vs. conventional 3-roll expanders.

For tube sizes 3/4" 14 gauge to 1 1/2" 20 gauge, roll sets 1 1/2" or 2 1/4" and roll depths adjustable from: STD reach 1 1/2" to 6" - A reach from 1 1/2" to 8" - B reach from 1-1/2" to 10" - C reach from 1-1/2" to 12" for 1-1/2" roller lengths; STD reach from 2-1/4" to 6-3/4" - A reach from 2-1/4" to 8-3/4" - B reach from 2-1/4" to 10-3/4" - C reach from 2-1/4" to 12-3/4" for 2-1/4" roller lengths.

*Note: Model 1223-5 to 1258-5 expanders come with 3/8" square mandrel drives and Model 1263-5 to 1300-5 expanders come with 1/2" square mandrel drives.*

Tube I.D. Sizes
.584" - 1.43" (14.8mm - 36.3mm)



Tube O.D. (in) (mm)	BWG	Tube I.D.		Expander with 1-1/2" (38.1mm) Long Rollers			Expander with 2-1/4" (57.1mm) Long Rollers			Minimum I.D. Tool Enters		Maximum Expansion of Tool	
		(in)	(mm)	Complete Tool	Mandrel	Roll Set	Complete Tool	Mandrel	Roll Set	(in)	(mm)	(in)	(mm)
3/4" 19.05mm	14	.584	14.8	1223-5	M-1224-5	R-6-5	1224-5	M-1224-5	R-6-A-5	.574	14.5	.639	16.2
	15	.606	15.3	1225-5	M-1226-5	R-7-5	1226-5	M-1226-5	R-7-A-5	.596	15.1	.661	16.7
	16	.620	15.7	1227-5	M-63	R-7-5	1228-5	M-63	R-7-A-5	.605	15.3	.685	17.4
	17	.634	16.1	1229-5	M-1230-5	R-7-5	1230-5	M-1230-5	R-7-A-5	.619	15.7	.699	17.7
	18	.652	16.5	1229-5	M-1230-5	R-7-5	1230-5	M-1230-5	R-7-A-5	.619	15.7	.699	17.7
	19	.666	16.9	1231-5	M-63	R-9-5	1232-5	M-63	R-9-A-5	.642	16.3	.722	18.3
	20	.680	17.2	1231-5	M-63	R-9-5	1232-5	M-63	R-9-A-5	.642	16.3	.722	18.3
	21	.686	17.4	1231-5	M-63	R-9-5	1232-5	M-63	R-9-A-5	.642	16.3	.722	18.3
1" 25.40mm	14	.834	21.1	1249-5	M-1250-5	R-12-5	1250-5	M-1250-5	R-12-A-5	.810	20.5	.909	23.1
	15	.856	21.7	1251-5	M-1251-5	R-13-5	1252-5	M-1251-5	R-13-A-5	.837	21.2	.936	23.7
	16	.870	22.1	1251-5	M-1251-5	R-13-5	1252-5	M-1251-5	R-13-A-5	.837	21.2	.936	23.7
	17	.884	22.4	1255-5	M-1256-5	R-13-5	1256-5	M-1256-5	R-13-A-5	.865	21.9	.964	24.4
	18	.902	22.9	1255-5	M-1256-5	R-13-5	1256-5	M-1256-5	R-13-A-5	.865	21.9	.964	24.4
	19	.916	23.2	1255-5	M-1256-5	R-13-5	1256-5	M-1256-5	R-13-A-5	.865	21.9	.964	24.4
	20	.930	23.6	1255-5	M-1256-5	R-13-5	1256-5	M-1256-5	R-13-A-5	.865	21.9	.964	24.4
	21	.936	23.8	1257-5	M-71-3/8	R-15-5	1258-5	M-71-3/8	R-15-A-5	.833	22.4	.982	24.9
1-1/8" 28.58mm	12	.907	23.0	1257-5	M-71-3/8	R-15-5	1258-5	M-71-3/8	R-15-A-5	.883	22.4	.982	24.9
	15	.981	24.9	1263-5	M-1263-5	R-18-5	-	-	-	.962	24.4	1.071	27.2
	16	.995	25.2	1263-5	M-1263-5	R-18-5	-	-	-	.962	24.4	1.071	27.2
1-1/2" 38.10mm	17	1.384	35.1	1299-5	M-1299-5	R-29-5	M-1300-5	M-1299-5	R-29-A-5	1.331	33.8	1.472	37.3
	18	1.402	35.6	1299-5	M-1299-5	R-29-5	M-1300-5	M-1299-5	R-29-A-5	1.331	33.8	1.472	37.3
	19	1.416	36.0	1299-5	M-1299-5	R-29-5	M-1300-5	M-1299-5	R-29-A-5	1.331	33.8	1.472	37.3
	20	1.430	36.3	1299-5	M-1299-5	R-29-5	M-1300-5	M-1299-5	R-29-A-5	1.331	33.8	1.472	37.3

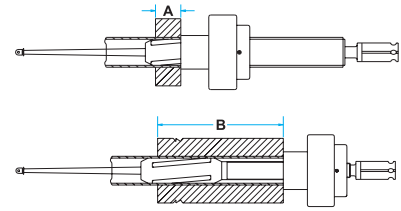
**IN-STOCK ITEMS  
SHIP SAME DAY**

(713) 941-3797 • Toll Free: (800) 456-8721  
[www.USAINdustries.com](http://www.USAINdustries.com)





# "8012" SERIES TUBE EXPANDER



## Features

A great choice for larger diameter tubes and thick tube sheets. To expand tubes in Air Heaters, Boilers and Refinery Tubes. Can be used to expand thick tube sheets (up to 8").

Tube sizes 1-3/4" 8 Gauge to 5" 16 Gauge and Roll Depth Adjustable: STD Reach from 1/2" to 4"; 6" Reach from 1/2" to 6"; 8" Reach from 1/2" to 8".

TUBE I.D. SIZES:
1.420" - 4.870" (36.1mm - 123.7 mm)

ROLLER LENGTH:	ROLL DEPTH:	
	MINIMUM	MAXIMUM
2-1/4" (57.1mm)	A	B
	STD. REACH	1/2" (12.7mm) 4" (101.4mm)
	- 6" REACH	1/2" (12.7mm) 6" (152.4mm)
- 8" REACH	1/2" (12.7mm) 8" (203.2mm)	

\*For Mandrels in 6" & 8" reach - ADD suffix 6 or 8 to Mandrel Model No.

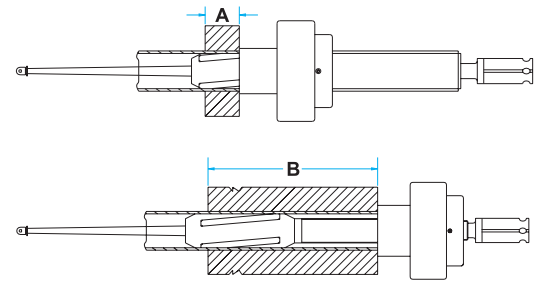
Tube O.D.	BWG	Tube I.D.		Expander with 2 1/4" (57.15 mm) Long Rollers			Minimum I.D.Tool Enters		Maximum Expansion of Tool	
		(in)	(mm)	Complete Tool	Mandrel	Roll Set	(in)	(mm)	(in)	(mm)
1 3/4" (44.45mm)	8	1.420	(36.1)	8012-1.3/4-8	M-90	R-33-A	1.368	(34.7)	1.550	(39.3)
	10	1.482	(37.6)	8012-1.3/4-10	M-90	R-37-A	1.420	(36.0)	1.607	(40.8)
	11	1.510	(38.3)	8012-1.3/4-11	M-90	R-42	1.454	(36.9)	1.635	(41.5)
	12	1.532	(38.9)	8012-1.3/4-12	M-90	R-44	1.482	(37.6)	1.657	(42.0)
	13	1.560	(39.6)	8012-1.3/4-13	M-90	R-46	1.510	(38.3)	1.685	(42.7)
2" (50.80mm)	14	1.584	(40.2)	8012-1.3/4-14	M-90	R-48	1.532	(38.9)	1.709	(43.4)
	7	1.640	(41.6)	8012-2-7	M-91	R-46	1.570	(39.8)	1.770	(45.0)
	8	1.670	(42.4)	8012-2-8	M-91	R-48	1.595	(40.5)	1.795	(45.6)
	10	1.732	(43.9)	8012-2-10	M-91	R-50	1.640	(41.6)	1.857	(47.1)
	11	1.760	(44.7)	8012-2-11	M-91	R-52	1.670	(42.4)	1.885	(47.8)
	12	1.782	(45.2)	8012-2-12	M-91	R-54	1.704	(43.2)	1.907	(48.4)
	13	1.810	(45.9)	8012-2-13-18	M-91	R-56	1.732	(43.9)	1.956	(49.6)
	14	1.834	(46.5)	8012-2-13-18	M-91	R-56	1.732	(43.9)	1.956	(49.6)
	15	1.856	(47.1)	8012-2-13-18	M-91	R-56	1.732	(43.9)	1.956	(49.6)
	16	1.870	(47.4)	8012-2-13-18	M-91	R-56	1.732	(43.9)	1.956	(49.6)
2 1/4" (57.15mm)	17	1.884	(47.9)	8012-2-13-18	M-91	R-56	1.732	(43.9)	1.956	(49.6)
	18	1.902	(48.3)	8012-2-13-18	M-91	R-56	1.732	(43.9)	1.956	(49.6)
	10	1.982	(50.3)	8012-2.1/4-10	M-92	R-56	1.890	(48.0)	2.107	(53.5)
	11	2.010	(51.0)	8012-2.1/4-11	M-92	R-58	1.920	(48.7)	2.135	(54.2)
	12	2.032	(51.6)	8012-2.1/4-12	M-92	R-60	1.954	(49.6)	2.157	(54.7)
	13	2.060	(52.3)	8012-2.1/4-13-16	M-92	R-62	1.982	(50.3)	2.185	(55.4)
2 1/2" (63.50mm)	14	2.084	(52.9)	8012-2.1/4-13-16	M-92	R-62	1.982	(50.3)	2.185	(55.4)
	15	2.106	(53.4)	8012-2.1/4-13-16	M-92	R-62	1.982	(50.3)	2.185	(55.4)
	16	2.120	(53.8)	8012-2.1/4-13-16	M-92	R-62	1.982	(50.3)	2.185	(55.4)
	7-8	2.146	(54.5)	8012-2.1/2-7-8	M-92	R-45-A	2.050	(52.0)	2.335	(59.3)
	9	2.204	(56.0)	8012-2.1/2-9	M-93	R-46-A	2.106	(53.5)	2.380	(60.4)
	10	2.232	(56.6)	8012-2.1/2-10-12	M-93	R-64	2.140	(54.3)	2.407	(61.1)
	11	2.260	(57.4)	8012-2.1/2-10-12	M-93	R-64	2.140	(54.3)	2.407	(61.1)
	12	2.282	(57.9)	8012-2.1/2-10-12	M-93	R-64	2.140	(54.3)	2.407	(61.1)
	13	2.310	(58.6)	8012-2.1/2-13-18	M-94	R-64	2.232	(56.6)	2.450	(62.2)
	14	2.334	(59.2)	8012-2.1/2-13-18	M-94	R-64	2.232	(56.6)	2.450	(62.2)
2 3/4" (69.85mm)	15	2.356	(59.8)	8012-2.1/2-13-18	M-94	R-64	2.232	(56.6)	2.450	(62.2)
	16	2.370	(60.1)	8012-2.1/2-13-18	M-94	R-64	2.232	(56.6)	2.450	(62.2)
	17	2.384	(60.6)	8012-2.1/2-13-18	M-94	R-64	2.232	(56.6)	2.450	(62.2)
	18	2.402	(61.0)	8012-2.1/2-13-18	M-94	R-64	2.232	(56.6)	2.450	(62.2)
	10	2.482	(63.0)	8012-2.3/4-10-16	M-96	R-66	2.390	(60.7)	2.702	(68.6)
	11	2.510	(63.7)	8012-2.3/4-10-16	M-96	R-66	2.390	(60.7)	2.702	(68.6)
	12	2.532	(64.3)	8012-2.3/4-10-16	M-96	R-66	2.390	(60.7)	2.702	(68.6)
13	2.560	(65.0)	8012-2.3/4-10-16	M-96	R-66	2.390	(60.7)	2.702	(68.6)	
14	2.584	(65.6)	8012-2.3/4-10-16	M-96	R-66	2.390	(60.7)	2.702	(68.6)	
15	2.606	(66.1)	8012-2.3/4-10-16	M-96	R-66	2.390	(60.7)	2.702	(68.6)	
16	2.620	(66.5)	8012-2.3/4-10-16	M-96	R-66	2.390	(60.7)	2.702	(68.6)	

**IN-STOCK ITEMS  
SHIP SAME DAY**

**(713) 941-3797 • Toll Free: (800) 456-8721**  
**www.USAIndustries.com**



# "8012" SERIES TUBE EXPANDER



Note: Model 8012-1.3/4-8 to 8012-2.1/2-13-18 expanders come with 3/4" square mandrel drives. Model 8012-2.3/4-10-16 to 8012-5-10-18 expanders come with 1" square mandrel drives.

Tube O.D.	BWG	Tube I.D.		Expander with 2 1/4" (57.15 mm) Long Rollers			Minimum I.D. Tool Enters		Maximum Expansion of Tool	
		inch	mm	Complete Tool	Mandrel	Roll Set	inch	mm	inch	mm
3" (76.20mm)	8	2.670	(67.8)	8012-3-8-9	M-97	R-67	2.560	(65.0)	2.829	(71.8)
	9	2.704	(68.6)	8012-3-8-9	M-97	R-67	2.560	(65.0)	2.829	(71.8)
	10	2.732	(69.3)	8012-3-10-18	M-96	R-67	2.640	(67.0)	2.952	(74.9)
	11	2.760	(70.1)	8012-3-10-18	M-96	R-67	2.640	(67.0)	2.952	(74.9)
	12	2.782	(70.6)	8012-3-10-18	M-96	R-67	2.640	(67.0)	2.952	(74.9)
	13	2.810	(71.3)	8012-3-10-18	M-96	R-67	2.640	(67.0)	2.952	(74.9)
	14	2.834	(71.9)	8012-3-10-18	M-96	R-67	2.640	(67.0)	2.952	(74.9)
	15	2.856	(72.5)	8012-3-10-18	M-96	R-67	2.640	(67.0)	2.952	(74.9)
	16	2.870	(72.8)	8012-3-10-18	M-96	R-67	2.640	(67.0)	2.952	(74.9)
3 1/2" (88.9mm)	13	3.311	(84.1)	8012-3.1/2-10-18	M-99	R-70	3.190	(81.0)	3.464	(88.0)
	14	3.334	(84.7)	8012-3.1/2-10-18	M-99	R-70	3.190	(81.0)	3.464	(88.0)
	15	3.354	(85.2)	8012-3.1/2-10-18	M-99	R-70	3.190	(81.0)	3.464	(88.0)
	16	3.370	(85.6)	8012-3.1/2-10-18	M-99	R-70	3.190	(81.0)	3.464	(88.0)
	17	3.385	(86.0)	8012-3.1/2-10-18	M-99	R-70	3.190	(81.0)	3.464	(88.0)
	18	3.401	(86.4)	8012-3.1/2-10-18	M-99	R-70	3.190	(81.0)	3.464	(88.0)
4" (101.6mm)	3	3.480	(88.4)	8012-4-3-4	M-100	R-71	3.425	(87.0)	3.780	(96.0)
	4	3.527	(89.6)	8012-4-3-4	M-100	R-71	3.425	(87.0)	3.780	(96.0)
	8	3.670	(93.2)	8012-4-8-9	M-101	R-71	3.582	(91.0)	3.940	(100.0)
	9	3.704	(94.1)	8012-4-8-9	M-101	R-71	3.582	(91.0)	3.940	(100.0)
	10	3.732	(94.8)	8012-4-10-18	M-101	R-72	3.661	(93.0)	3.960	(100.6)
	11	3.760	(95.5)	8012-4-10-18	M-101	R-72	3.661	(93.0)	3.960	(100.6)
	12	3.783	(96.1)	8012-4-10-18	M-101	R-72	3.661	(93.0)	3.960	(100.6)
	13	3.811	(96.8)	8012-4-10-18	M-101	R-72	3.661	(93.0)	3.960	(100.6)
	14	3.834	(97.4)	8012-4-10-18	M-101	R-72	3.661	(93.0)	3.960	(100.6)
4 1/2" (114.3mm)	16	3.870	(98.3)	8012-4-10-18	M-101	R-72	3.661	(93.0)	3.960	(100.6)
	3	3.980	(101.1)	8012-4.1/2-3-4	M-102	R-73	3.940	(100.0)	4.291	(109.0)
	4	4.030	(102.3)	8012-4.1/2-3-4	M-102	R-73	3.940	(100.0)	4.291	(109.0)
	8	4.170	(105.9)	8012-4.1/2-8-9	M-102	R-74	4.020	(102.0)	4.370	(111.0)
	9	4.204	(106.8)	8012-4.1/2-8-9	M-102	R-74	4.020	(102.0)	4.370	(111.0)
	10	4.232	(107.5)	8012-4.1/2-10-18	M-103	R-74	4.100	(104.0)	4.450	(113.0)
5" (127.0mm)	12	4.283	(108.8)	8012-4.1/2-10-18	M-103	R-74	4.100	(104.0)	4.450	(113.0)
	16	4.370	(111.0)	8012-4.1/2-10-18	M-103	R-74	4.100	(104.0)	4.450	(113.0)
	3	4.480	(113.8)	8012-5-3-4	M-105	R-76	4.410	(112.0)	4.763	(121.0)
	4	4.527	(115.0)	8012-5-3-4	M-105	R-76	4.410	(112.0)	4.763	(121.0)
	8	4.670	(118.6)	8012-5-8-9	M-105	R-77	4.566	(116.0)	4.921	(125.0)
	9	4.704	(119.5)	8012-5-8-9	M-105	R-77	4.566	(116.0)	4.921	(125.0)
	10	4.732	(120.2)	8012-5-10-18	M-105	R-78	4.606	(117.0)	4.960	(126.0)
	11	4.763	(121.0)	8012-5-10-18	M-105	R-78	4.606	(117.0)	4.960	(126.0)
	12	4.783	(121.5)	8012-5-10-18	M-105	R-78	4.606	(117.0)	4.960	(126.0)
14	4.834	(122.8)	8012-5-10-18	M-105	R-78	4.606	(117.0)	4.960	(126.0)	
16	4.870	(123.7)	8012-5-10-18	M-105	R-78	4.606	(117.0)	4.960	(126.0)	

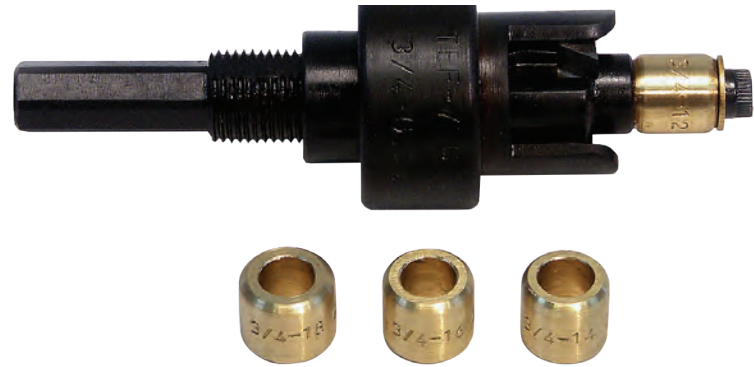
**IN-STOCK ITEMS  
SHIP SAME DAY**

**(713) 941-3797 • Toll Free: (800) 456-8721**  
**www.USAIndustries.com**



## TUBE END FACERS

Tube O.D.		Tube Thickness	Complete Tool	Spare Tool Bits
inch	(mm)	BWG		
3/8	(9.53)	16-22	TEF-375	TEF-375-BIT
1/2	(12.70)	15-20	TEF-500	TEF-500-BIT
5/8	(15.87)	14-18	TEF-625	TEF-625-BIT
3/4	(19.05)	10-18	TEF-750	TEF-750-BIT
7/8	(22.22)	13-18	TEF-875	TEF-875-BIT
1	(25.40)	11-18	TEF-1000	TEF-1000-BIT
1 1/8	(28.57)	11-18	TEF-1125	TEF-1125-BIT
1 1/4	(31.75)	11-18	TEF-1250	TEF-1250-BIT
1 3/8	(34.92)	11-18	TEF-1375	TEF-1375-BIT
1 1/2	(38.10)	11-18	TEF-1500	TEF-1500-BIT
1 5/8	(41.27)	11-18	TEF-1625	TEF-1625-BIT
1 3/4	(44.45)	11-18	TEF-1750	TEF-1750-BIT
1 7/8	(47.62)	11-18	TEF-1875	TEF-1875-BIT
2	(50.80)	11-18	TEF-2000	TEF-2000-BIT
2 1/4	(57.15)	11-18	TEF-2250	TEF-2250-BIT
2 1/2	(63.50)	11-18	TEF-2500	TEF-2500-BIT



Different Pilots for each I.D.

### Features

- Ideal for quick facing of tube ends with the bits easily replaced
- One Tool for each tube OD with pilots provided for the different gauges
- Tool bits coated with Titanium Nitride to give 3 times the life of uncoated HSS bits

*\*Specify gauge on 3/8" End Facers*

*NOTE: Tube End Facers include pilots, except 3/8"*

## TUBE GUIDES

### Features

Tube Guides are designed to protect the tube ends from damage while guiding them thru the tube sheet and baffles. They are lightweight and fit easily into the tube end with a replaceable nylon brush which also cleans the inside of the tube prior to expanding.

- Available for 1/2" thru 3" OD tubes and all Gauges



#### When Ordering Specify:

- Tube O.D.
- Tube Gauge
- Quantity
- Delivery Date

## TUBE SHEET HOLE BRUSH POWER 200 SERIES

### Features

- Used to clean tube sheet holes to provide a clean surface prior to expanding the tube
- For Tube O.D.'s 1/4" thru 3"
- Available in Carbon or Stainless Steel



#### When Ordering Specify:

- Tube O.D.
- Brush Material Type
- Quantity
- Delivery Date

## TUBE END FLARING

### Features

- Used to flare tube ends after expanding
- Available for tube sizes from 1/4" - 5" OD



#### When Ordering Specify:

- Tube O.D.
- Shank Type - 01 or 06
- Shank
- Quantity
- Delivery Date

IN-STOCK ITEMS  
SHIP SAME DAY

(713) 941-3797 • Toll Free: (800) 456-8721  
[www.USAINdustries.com](http://www.USAINdustries.com)



## TUBE ROLLING SYSTEMS PNEUMATIC ROLL MOTORS



### Model 720 Series



**Features**

Torque controlled expansion

Available in the following sizes:

- 550 RPM - Torque 2 to 75 in-lbs - 1/4" Sq Drive  
Recommended Max Tube Size - 1/2"
- 1,800 RPM - Torque 2 to 27 in-lbs - 1/4" Sq Drive  
Recommended Max Tube Size - 3/8"
- 2,500 RPM - Torque 2 to 75 in-lbs - 1/4" Sq Drive  
Recommended Max Tube Size - 1/4"

### Model 850 Push/Pull Series



**Features**

Torque controlled expansion

Available in the following sizes:

- 1,250 RPM - Torque 9.6 to 126 in-lbs - 3/8" Sq Drive  
Recommended Tube Size - 3/4"
- 600 RPM - Torque 14.4 to 230 in-lbs - 3/8" Sq Drive  
Recommended Tube Size - 1"

### Model 1050 Series



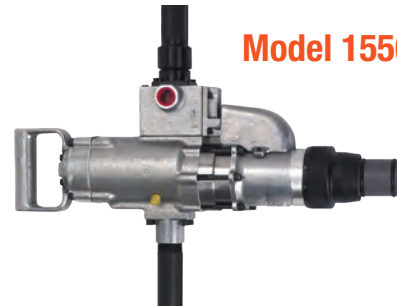
**Features**

Torque controlled expansion

Available in the following sizes:

- 400 RPM - Torque 3.3 to 26.4 ft-lbs - 1/2" Sq Drive  
Recommended Tube Size - 1-1/4"

### Model 1550 Series



**Features**

Torque controlled expansion

Available in the following sizes:

- 900 RPM - Torque 4.7 to 30.7 ft-lbs - 1/2" Sq Drive  
Recommended Tube Size - 1-1/2"
- 250 RPM - Torque 14.3 to 109.9 ft-lbs - 1/2" Sq Drive  
Recommended Tube Size - 2-1/2"

### Right Angle Drive Roll Motor



**Features**

Designed for expanding boiler tubes in steam, mud drums, fire tube & related equipment.

- 190 RPM - Torque 70 to 140 ft-lbs - 5/8" Sq Drive  
Recommended Tube Size - 2-1/2"
- 90 RPM - Torque 150 to 305 ft-lbs - 3/4" Sq Drive  
Recommended Tube Size - 4"

**IN-STOCK ITEMS  
SHIP SAME DAY**

**(713) 941-3797 • Toll Free: (800) 456-8721**  
**www.USAIndustries.com**



## ELECTRIC DRIVE ROLL MOTORS

All our Electric Drive Roll Motors are built by "Milwaukee" to provide maximum life and double insulated for safety.



**Model MPB-0**



**Model MPB-1**



**Model MPB-2**



**Model MPB-3**



Supply Voltage Single Phase	Drive Model	Speed I/II	No Load R.P.M.	Expansion Range				Drive Weight lbs
				Steel Tube O.D.		Copper Tube O.D.		
				inch	mm	inch	mm	
230 V	MPB-0N	I	2200	1/4" - 3/8"	6 - 10	1/4" - 1/2"	6 - 12	4.5
	MPB-1N	I	1000	3/8" - 5/8"	10 - 16	3/8" - 3/4"	13 - 20	5.5
		II	1900	5/16" - 3/8"	8 - 13	5/16" - 1/2"	8 - 13	
	MPG-2N	I	480	5/8" - 1 3/4"	16 - 45	5/8" - 2"	16 - 50	16.5
		II	1080	5/8" - 1 1/4"	16 - 32	5/8" - 1 1/2"	16 - 38	
	MPG-3N	I	130	1" - 3"	25 - 76	1" - 4"	25 - 102	19
II		430	1" - 2"	25 - 50	1" - 3"	25 - 76		
110 V	MPB-0L	I	2200	1/4" - 3/8"	6 - 10	1/4" - 1/2"	6 - 12	4.5
	MPB-1L	I	1000	3/8" - 5/8"	10 - 16	3/8" - 3/4"	13 - 20	5.5
		II	1900	5/16" - 3/8"	8 - 13	5/16" - 1/2"	8 - 13	
	MPG-2L	I	480	5/8" - 1 3/4"	16 - 45	5/8" - 2"	16 - 50	16.5
		II	1080	5/8" - 1 1/4"	16 - 32	5/8" - 1 1/2"	16 - 38	
	MPG-3L	I	130	1" - 3"	25 - 76	1" - 4"	25 - 102	19
II		430	1" - 2"	25 - 50	1" - 3"	25 - 76		

**IN-STOCK ITEMS  
SHIP SAME DAY**

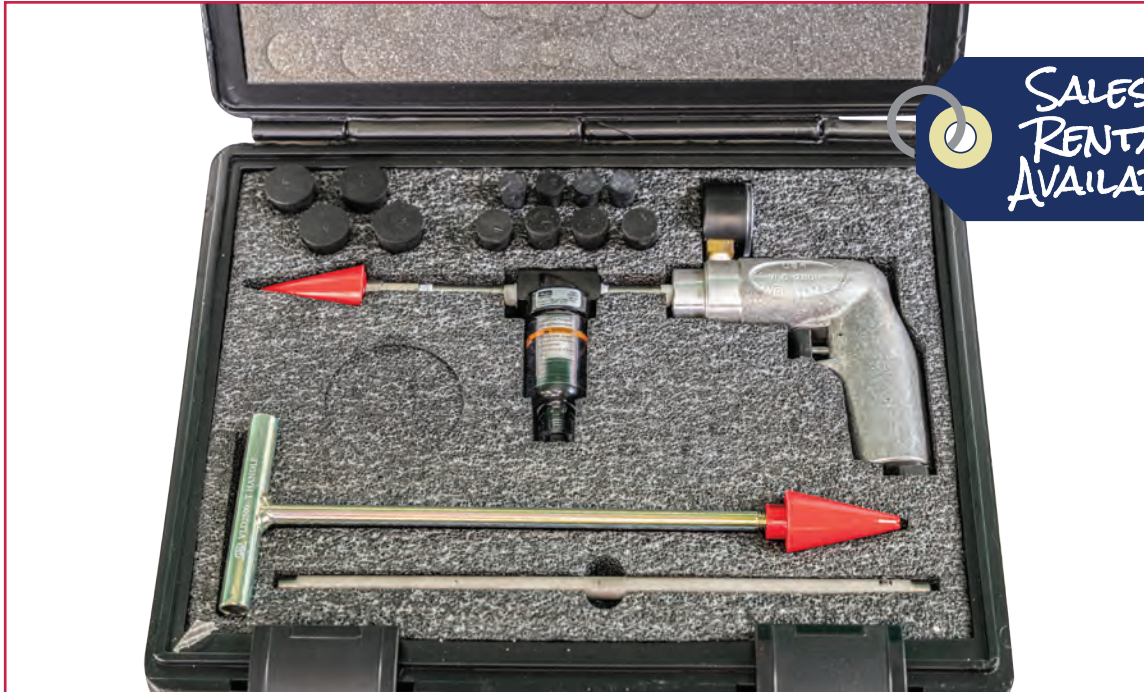
**(713) 941-3797 • Toll Free: (800) 456-8721**  
**www.USAIndustries.com**



## TESTING EQUIPMENT

### VLD 2500 VACUUM LEAK DETECTOR

*Pin points leaks in tubes 3/16" to 3" OD*



The **Vacuum Leak Detector VLD-2500** sets the industry standard for locating leaking tubes with its attributes of being Quick, Reliable, Durable, and featuring a Proven Design. Crafted with the end user in mind, it offers virtually foolproof operation and exceptional durability. To utilize, seal off one end of the suspect tube(s) using either a rubber tube plug (available in our Tube Plug section) or the T-Handle equipped with an attached nozzle. Then, insert the Vacuum Leak Detector into the tube to be tested and depress the trigger; any loss of vacuum indicates a leaking tube. The VLD-2500 incorporates a filter system to prevent debris from clogging the tool while in use.

- Easy to operate
- Detects leaks in tubes ranging from 1/4" to 3" OD within seconds
- Optional pads enable testing of tubes up to 6" OD
- Kit comprises VLD-2500 detector gun, 2 nozzles, T-handle, rubber plugs, and carrying case
- Uses standard plant air supplies ranging from 70 psi to 100 psi
- Nozzles are highly flexible for effortless seating onto tubes



**IN-STOCK ITEMS  
SHIP SAME DAY**

**(713) 941-3797 • Toll Free: (800) 456-8721**  
**www.USAINdustries.com**



## TESTING EQUIPMENT

### VLD 2500 VACUUM LEAK DETECTOR

*Pin points leaks in tubes 3/16" to 3" OD*

**SALES &  
RENTALS  
AVAILABLE!**



**Spare nozzles work with Gun and T Handle**

**Complete VLD-2500 consists of:**

- VLD-2500 Vacuum Leak Detector w/Carrying Case
- Nozzle - for 3/16" - 1 1/8" ID Tubes (other sizes Available)
- Extension Tube - 12"
- T-Handle
- Rubber Tube Plugs (Qty 4) - to fit 5/8" 13-24 gauge tubes
- Rubber Tube Plugs (Qty 4) - to fit 3/4" 14-24 gauge tubes
- Rubber Tube Plugs (Qty 4) - to fit 1" 11-24 gauge tubes



Spare Nozzles/Disks		
For Tube ID's	Size	
3/16" - 1 1/8"	1	Nozzle
1 1/8" - 2"	2	
2 - 3"	3	

VLD-2500 VACUUM LEAK DETECTOR ACCESSORIES		
<p><b>Rubber Plugs</b> used to plug opposite end of tube being tested. See Chart Sec. 4, page TP-93.</p>	<p><b>VLD Nozzles</b> - works with VLD and T-Handle for tube sizes:</p> <ul style="list-style-type: none"> <li>• Nozzle for 3/16" to 1-1/8" ID</li> <li>• Nozzle for 1-1/8" to 2" ID</li> <li>• Nozzle for 2" to 3" ID</li> </ul>	<p><b>T-Handle</b> - for use with Nozzles to plug tube end being tested.</p>

**IN-STOCK ITEMS  
SHIP SAME DAY**

(713) 941-3797 • Toll Free: (800) 456-8721  
[www.USAINdustries.com](http://www.USAINdustries.com)



## TLD-2500 USA TUBE LEAK DETECTOR PRESSURE GUNS



### Features

Detect leaks by pressurizing the tube with air while sealing the other end. Insert the guns into the tube to be tested. Activate the pressurizing gun by depressing the trigger; the plugging gun automatically seals the supply when pressurizing. Once the supply pressure is reached, or 100 PSIG (whichever is less), release the trigger. If the pressure holds, the tube is fine; if it drops, the tube is leaking - it's that simple.

- Achieve quick and safe pressure testing of 7 to 8 tubes per minute
- Interchangeable seal sets enable testing of tube IDs from .310" (7.75mm) to 1.2" (30.63mm)
- Utilizes standard plant air supplies from 70 psi to 100 psi
- Operates silently and features an ergonomic design for effortless testing.
- Each Kit packed in easy to carry case & includes:
  - 1 - Pressure & Plugging Gun
  - 1 - Set of Compression Tube / Nozzle for All Tube Sizes
  - 3 - Tube Seal sizes of your choice



**Additional Tube Seals purchased separately must be used with proper compression tube / nozzle.**

## JLD-6500 USA VACUUM JOINT LEAK DETECTOR



### Features

Tests rolled or welded tube sheet joints by vacuum pressure.

Insert nozzle into the tube and press face of the gun into the clean tube sheet joint being tested. Actuate gun to generate the vacuum, if pressure fails to hold...there is a leak.

- Simple, Quick and Reliable testing of up to 7 to 8 tube joints per minute
- Interchangeable seal sets allow testing of tube ID's from .310" (7.75mm) to 1.21" (30.63mm)
- Uses standard plant air supplies from 70 psi to 100 psi
- Silent during use and Ergonomic design makes testing effortless
- Each Kit packed in easy to carry case & includes:
  - 1 - Joint Leak Detector Gun
  - 1 - Set of Compression Collars for All Tube Sizes
  - 3 - Tube Seal sizes of your choice



**Additional Tube Seals purchased separately must be used with proper compression tube / nozzle.**

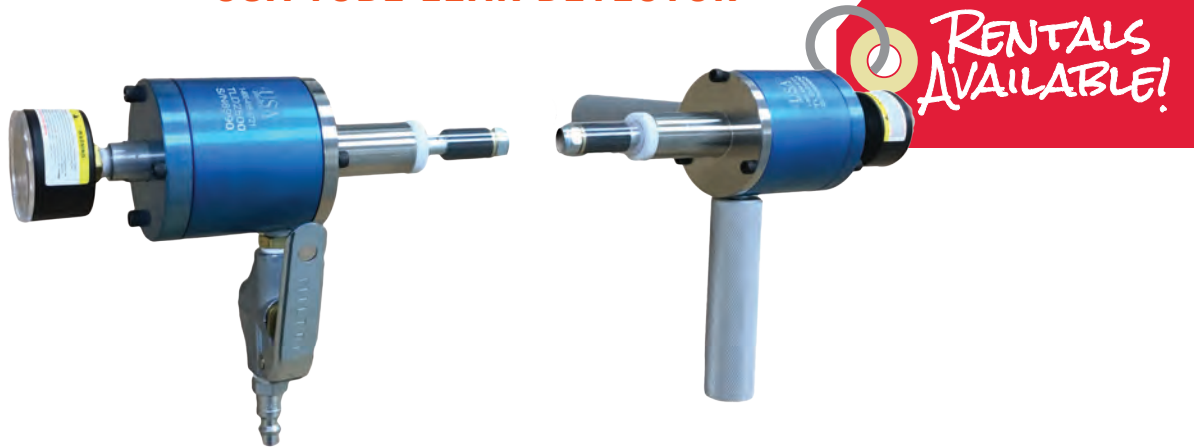
**IN-STOCK ITEMS  
SHIP SAME DAY**

**(713) 941-3797 • Toll Free: (800) 456-8721**  
**www.USAIndustries.com**





## USA TUBE LEAK DETECTOR



Part Number	TUBE I.D. RANGE				Seal O.D.		Washer O.D.		Compression Tube/Nozzle
	Begin		End		in	mm	in	mm	
	in	mm	inch	mm					
TLD-C-SK-0300	0.300	(7.62)	0.405	(10.287)	0.295	(7.493)	0.287	(7.290)	1
TLD-C-SK-0375	0.375	(9.525)	0.475	(12.065)	0.354	(8.992)	0.346	(8.788)	
TLD-C-SK-0480	0.480	(12.192)	0.540	(13.716)	0.457	(11.608)	0.449	(11.405)	
TLD-C-SK-0445	0.445	(11.303)	0.515	(13.081)	0.425	(10.795)	0.417	(10.592)	2
TLD-C-SK-0500	0.500	(12.7)	0.570	(14.478)	0.480	(12.192)	0.472	(11.989)	
TLD-C-SK-0563	0.563	(14.3)	0.630	(16.002)	0.543	(13.792)	0.535	(13.589)	
TLD-C-SK-0626	0.626	(15.9)	0.685	(17.399)	0.606	(15.392)	0.598	(15.189)	
TLD-C-SK-0670	0.670	(17.018)	0.735	(18.669)	0.649	(16.485)	0.642	(16.307)	
TLD-C-SK-0728	0.728	(18.491)	0.795	(20.193)	0.708	(17.983)	0.701	(17.805)	
TLD-C-SK-0795	0.795	(20.193)	0.845	(21.463)	0.775	(19.695)	0.768	(19.507)	
TLD-C-SK-0815	0.815	(20.701)	0.866	(21.996)	0.791	(20.091)	0.783	(19.888)	3
TLD-C-SK-0690	0.690	(17.526)	0.755	(19.177)	0.669	(16.993)	0.611	(16.789)	
TLD-C-SK-0752	0.752	(19.101)	0.810	(20.574)	0.732	(18.593)	0.724	(18.390)	
TLD-C-SK-0874	0.874	(22.200)	0.935	(23.749)	0.854	(21.692)	0.846	(21.488)	
TLD-C-SK-0922	0.922	(23.419)	0.980	(24.872)	0.901	(22.885)	0.894	(22.708)	
TLD-C-SK-0937	0.937	(23.8)	1.001	(25.425)	0.917	(23.292)	0.909	(23.089)	
TLD-C-SK-1010	1.010	(25.654)	1.070	(27.178)	0.992	(25.197)	0.984	(24.994)	
TLD-C-SK-1065	1.065	(27.051)	1.120	(28.448)	1.055	(26.797)	1.047	(26.594)	
TLD-C-SK-1100	1.100	(27.94)	1.160	(29.464)	1.082	(27.483)	1.075	(27.305)	
TLD-C-SK-1160	1.160	(29.464)	1.206	(30.632)	1.149	(29.185)	1.142	(29.007)	

Set comprises 2 seals and 2 washers

*Please call our factory for more information on our Vacuum Joint Leak Detector.*

**IN-STOCK ITEMS  
SHIP SAME DAY**

**(713) 941-3797 • Toll Free: (800) 456-8721**  
**www.USAIndustries.com**



# RHINO JR. HYDRAULIC SPEAR TUBE PULLER CAPTAIN AMERICA PULLER — HTPS 1000

## Features

This is really a GREAT Puller and is a fully self-contained Workhorse Designed & Proven to provide years of trouble free service.

- Our “Captain America” puller - Fast, Easy, Dependable pulling unit used to pull stubs or entire tubes with 10 tons of “Power”
- Single person operation and full self-contained system
- Ideally suited for removing 1/4” to 1” OD tubes of all gauges in up to 4” thick tube sheets
- Unit comes complete with Pulling Gun and Hydraulic pump
- Hydraulic Power Unit operates off of 110VAC
- Spring Balancer for “weightless” support of the Pulling Gun (*optional*)

**RENTALS AVAILABLE!**



## Consumables include the following:



Tube O.D.	BWG	Spears	Nose Piece	Nose Piece Holder	Spearlock	Spearlock Removal Tool	Releasing Tool	Square Drive Connector
1/4"	20-21	HTPS-0250-20/21	HTPS-NP-0250	HTPS-NPH-0250	HTPS-SL-0250	HTPS-SRT	HTPS-RT	HTPS-DS
	22-24	HTPS-0250-22/24						
	28-29	HTPS-0250-28/29						
3/8"	20-21	HTPS-0375-20/21	HTPS-NP-0375	HTPS-NPH-0375	HTPS-SL-0375			
	22-23	HTPS-0375-22/24						
1/2"	16-17	HTPS-0500-16/17	HTPS-NP-0500	HTPS-NPH-0500	HTPS-SL-0500			
	18-19	HTPS-0500-18/19						
	20-21	HTPS-0500-20/21						
5/8"	14-15	HTPS-0625-14/15	HTPS-NP-0625	HTPS-NPH-0625	HTPS-SL-0625			
	16-17	HTPS-0625-16/17						
	18-19	HTPS-0625-18/19						
	20-21	HTPS-0625-20/21						
3/4"	12-13	HTPS-0750-12/13	HTPS-NP-0750	HTPS-NPH-0750	HTPS-SL-0750			
	14-15	HTPS-0750-14/15						
	16-17	HTPS-0750-16/17						
	18-19	HTPS-0750-18/19						
	20-21	HTPS-0750-20/21						
1"	12-13	HTPS-1000-12/13	HTPS-NP-1000	HTPS-NPH-1000	HTPS-SL-1000			
	14-15	HTPS-1000-14/15						
	16-17	HTPS-1000-16/17						
	18-19	HTPS-1000-18/19						
	20-21	HTPS-1000-20/21						

**IN-STOCK ITEMS  
SHIP SAME DAY**

**(713) 941-3797 • Toll Free: (800) 456-8721**  
**www.USAIndustries.com**



# RHINO JR. PINE JENNY HOLLOW CORE RAM PULLER

## Features

- One of the most commonly used style of pullers around, used to pull stubs or entire tubes with 30 tons of "Power"
- 6" of pull in single stroke, when used with the "Double Horseshoe Adaptor" can pull up to 12" without resetting
- Proven in performance and usefulness
- Can be used to pull tubes from 1/2" up to 3" of all gauges and tube sheet up to 8" thick
- Foolproof construction and simple to operate



## PINE JENNY HOLLOW CORE RAM, STUB TUGGER ACCESSORIES

### SPECIAL NOTE

*These items will REPLACE & INTERCHANGE with the "Stub Tugger" OR "Pine Jenny" Pullers from other companies*

# PINE JENNY STYLE TUBE PULLER SPEARS

## Features

- Compatible with other manufacturers same style (Pine Jenny, Hollow Core Ram, etc...)
- Manufactured to enhance performance & increase longevity
- Available for 1/2" thru 3" tubes of all gauges



**IN-STOCK ITEMS  
SHIP SAME DAY**

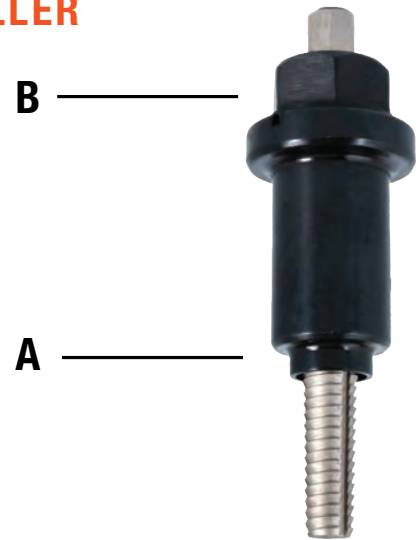
**(713) 941-3797 • Toll Free: (800) 456-8721**  
**www.USAIndustries.com**



## RHINO JR. MANUAL TUBE PULLER

### Features

- Used for small, light duty pulling jobs
- Using a wrench screw, screw the spear "A" into the tube then begin pulling by turning nut "B". After tube is free from the tube sheet, remove by unscrewing the spear "A" while holding the tube with channellocks or a pipe wrench.
- Available for 1/4" thru 13/8" tubes of all Gauges.



**Order PN's by the following: Example is for 1/2" 16 gauge tube**

**For Complete Tool: MTP-(Tube O.D.)-(Tube Gauge) = MTP-1/2"-16**  
**For Spare Spears: MTPS-(Tube O.D.)-(Tube Gauge) = MTPS-1/2"-16**

## ONE REV INTERNAL TUBE CUTTER & REPLACEMENT BITS

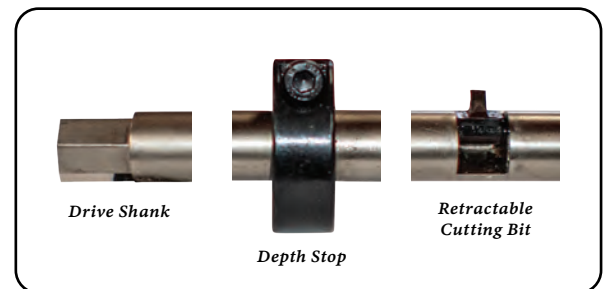


**One Revolution Internal Tube Cutters** are used for the following applications:

1. The "Piercing" of tubes prior to inserting tube plugs
2. The "Complete Cutting" of ferrous or copper tubes on one end prior to tube removal - can include nonferrous light wall tubes. Used with a wrench, simply adjust the depth collar stop so the cutter bit is past the tube sheet, then rotate in a clockwise direction. After the bit starts cutting, make 1/4 revolution to puncture or one full revolution to cut

### PRODUCT FEATURES:

- Available for 1/2" thru 2-1/2" tubes of all gauges
- Standard reach of 10", longer reaches available
- Bits are made from high quality tool steel and hardened to provide the maximum cutting edge retention
- Available for 1/2" thru 2-1/2" tube cutters
- Directly interchangeable with Airetool Bits



Order product number by the following:

For Complete Cutter Tool: OR-T-(Tube O.D.)-(Tube Gauge) = OR-T-1/2"-16  
 For Cutter Bits: OR-C-(Tube O.D.)-BIT = OR-C-1/2"-BIT

**IN-STOCK ITEMS  
SHIP SAME DAY**

**(713) 941-3797 • Toll Free: (800) 456-8721**  
**www.USAIndustries.com**

VISA

mastercard

AMERICAN EXPRESS

## PUSH CUTTER INTERNAL TUBE CUTTER AND REPLACEMENTS



### Features

The **Push Type Cutter** is used to quickly cut tubes in large numbers, they are especially suited for toughest tube cutting applications such as Stainless Steel, Inconel, Monel, Titanium, etc.

The unit can be used with any drill or one of our driving units with the cutting speed regulated for your particular tube material to maximize the cutters life.

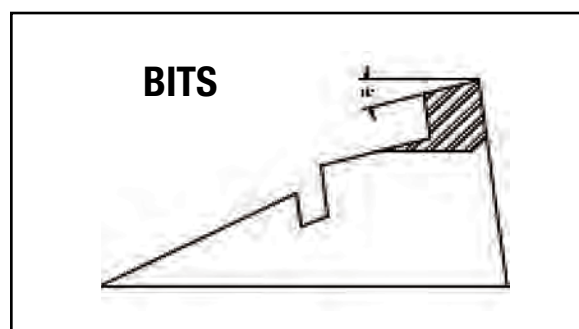
To operate, adjust the collar depth, insert it into the tube, apply power, press inward and the tube will be cut in a few seconds.

- Available for 5/8" thru 1-1/2" tubes of all Gauges
- Bits are easily removed
- Adjustable reaches available: "STD" = 4",  
"A" = 6", "B" = 8", "C" = 10"

Our bits are made from high quality tool steel, hardened, and Titanium Nitrate coated to provide the maximum cutting edge retention.

*Longer reach available upon request.*

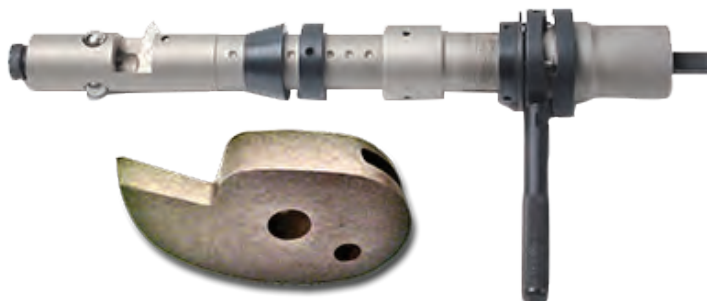
Tube O.D.	Tube Gauge (BWG)	Tube Cutter Model No. (Std. Reach)	Spare Cutting Bit Model No.
5/8"	14 - 22	ATP-625	ATP-625-BIT
3/4"	14 - 22	ATP-750	ATP-750-BIT
7/8"	14 - 22	ATP-875	ATP-875-BIT
1"	12 - 22	ATP-1000	ATP-1000-BIT
1 1/4 "	12 - 22	ATP-1250	ATP-1250-BIT
1 1/2"	12 - 22	ATP-1500	ATP-1500-BIT



## BOILER TUBE CUTTER & REPLACEMENT BITS

### Features

- PR-68 tube cutters are ideal for cutting thick walled boiler tubes of 2" O.D. and higher
- The unit can be operated with any drill
- For Boiler tube sizes 2" thru 4-1/2" all Gauges
- Available in standard reach of 4", Additionally reaches in increments of 4" are available up to 16"



Tube I.D. Range		Part Number (Reach = 4" 8" 12" or 16") Example: 4" Reach BTC-T-04-1.181-1.378	Tool Model Number	Spare Bit Part Number	Spare Bit Model Number	Max. Tube O.D.		Body Diameter		Drive Square Male
in	mm					in	mm	in	mm	
1.181 - 1.378	(30 - 35)	BTC-T-(REACH)-1.181-1.378	0682901	BTC-C-BIT-1	1682901	1.693	-43	1.142	-29	1/2"
1.378 - 1.575	(35 - 40)	BTC-T-(REACH)-1.378-1.575	0683301			1.890	(48)	1.299	(33)	
1.575 - 1.969	(40 - 50)	BTC-T-(REACH)-1.575-1.969	0683801			2.126	(58)	1.496	(38)	
1.969 - 2.362	(50 - 60)	BTC-T-(REACH)-1.969-2.362	0684801	BTC-C-BIT-2	1684801	2.677	(68)	1.890	(48)	3/4"
2.165 - 2.559	(55 - 65)	BTC-T-(REACH)-2.165-2.559	0685301			2.874	(73)	2.087	(53)	
2.559 - 2.953	(65 - 75)	BTC-T-(REACH)-2.559-2.953	0686301			3.268	(83)	2.480	(63)	
2.953 - 3.346	(75 - 85)	BTC-T-(REACH)-2.953-3.346	0687301	BTC-C-BIT-3	1687301	3.661	(93)	2.874	(73)	
3.346 - 3.740	(85 - 95)	BTC-T-(REACH)-3.346-3.740	0688301			4.055	(103)	3.268	(83)	
3.740 - 4.134	(95 - 105)	BTC-T-(REACH)-3.740-4.134	0689301			4.449	(113)	3.661	(93)	

**IN-STOCK ITEMS  
SHIP SAME DAY**

(713) 941-3797 • Toll Free: (800) 456-8721  
[www.USAIndustries.com](http://www.USAIndustries.com)





## COLLAPSING/KNOCKOUT TOOLS CHIPPING HAMMER

### Features

**Chipping Hammer** (15 lb. Gun) for use with Tube Drifts/Collapsing Tools using the 01 or 06 Shank Style.



## JUMBO RIVET BUSTER

### Features

**Jumbo Rivet Buster** (30 lb. Gun) for use with Tube Drifts/ Knockout Punches using the 15 Shank Style.



## COLLAPSING TOOL



Order PN's by the following: Example is for 3/4" tube with a 06 Shank

CT-	(Tube OD)-	(Shank)
CT-	3/4"	06

### Features

Collapsing Tools are designed to collapse tubes for removal from the tube sheet using a Chipping Hammer. Manufactured using the highest quality metal and heat treatment available.

- Available in 01 or 06 type shanks
- Stocked sizes from 3/8" thru 2" tube OD's
- Use Reamers for reducing the tube thickness when collapsing heavy gauge tubes.

#### When Ordering Specify:

- Tube O.D.
- Shank Style — 01 or 06
- Quantity
- Delivery Date

## TUBE DRIFTS / KNOCKOUT PUNCHES



Order PN's by the following: Example is for 1" 14 Gauge tube with a 15 Shank

TD-	(Tube OD)-	(Tube Gauge)-	(Shank)
TD-	1"	14-	15

### Features

Tube Drifts/Knockout Punches are designed to knockout tubes from tube sheets using either a Chipping Hammer or Jumbo Rivet Buster. Our Drifts are manufactured using the highest quality metal and heat treatment available, PERIOD!

- Available in 01 or 06 or 15 Shank tool holders
- Stocked sizes from 1/2" thru 2-1/2" tube OD's and all gauges.

#### When Ordering Specify:

- Tube O.D.
- Shank Style — 01, 06 or 15
- Gauge
- Quantity
- Delivery Date

**IN-STOCK ITEMS  
SHIP SAME DAY**

(713) 941-3797 • Toll Free: (800) 456-8721  
[www.USAINdustries.com](http://www.USAINdustries.com)



## BEVELING MACHINES



Portable and easy to use.

### USA Mini

The USA MINI machine is a lightweight yet powerful pipe beveller. A favorite in areas such as power station and Petrochemical plant shut-down work, due to its ease of set-up and speed of operation. This unit is available with the unique “**auto-lock**” function, to set the jaws, just flip the switch — it’s that simple!

**Range:** .78” — 1.65” ID Standard (reduced shaft option from .49’ to .82” ID)

**Functions:** Weld Removal, Beveling, Facing, Counter-boring, Tube or Pipe Prep

**Materials:** Any kind of steel

**Power:** Pneumatic or Electric

Available Bits for Internal and External Beveling (37-1/2 degrees) or Flat Facing. Others available upon request.



Portable and easy to use.

### USA Boiler Standard

A very popular versatile machine that is robust and extremely powerful. Used in many industries, but commonly found in tough Petrochemical plant environments. Electric version available or a conversion kit easily changes pneumatic to electric.

**Range:** 0.9” - 4.25” ID

**Functions:** Weld Removal, Beveling, Facing, Counter-boring, Tube or Pipe Prep

**Materials:** Any kind of steel

**Power:** Pneumatic or Electric

Available Bits for Internal and External Beveling (37<sup>1</sup>/<sub>2</sub> degrees) or Flat Facing. Others available upon request.



Portable and easy to use.

### USA Superboiler T5

A powerful machine able to produce fast accurate weld preps on any schedule and material of pipe effortlessly. Optional extras include, flange facing attachment.

**Range:** 2” - 8” ID

**Functions:** Weld Removal, Beveling, Facing, Counter-boring, Pipe Prep

**Materials:** Any kind of steel

**Power:** Pneumatic or Electric

Available Bits for Internal and External Beveling (37<sup>1</sup>/<sub>2</sub> degrees) or Flat Facing. Others available upon request.

All units are supplied with all gripping segments to cover the full range of the machine as well as service tools, drawings, instruction manual and warranty certificate. Each machine is supplied with a protective metal carrying case.

## CUTTING BLADES (BITS) FOR BEVELING MACHINES

Internal Bevel   Flat Facing   External Bevel

#### When Ordering Specify:

- Bit Type(s)
- Delivery Date
- Quantity



Our bits are made of the highest quality tool steel and provide exceptional wear resistance and designed for Internal or External Beveling, Facing, or Weld Removal.

IN-STOCK ITEMS  
SHIP SAME DAY

(713) 941-3797 • Toll Free: (800) 456-8721  
[www.USAIndustries.com](http://www.USAIndustries.com)



# CLEANING EQUIPMENT

## FSC SERIES PORTABLE ELECTRIC TUBE CLEANERS

### Features

- Water flushes through the shaft and helps remove deposits from tube, flow rate regulated as needed
- “Hands Free” controls provided via a foot switch
- Stainless steel cover for use in the harshest environments
- Shafts, bits, & brushes quickly & easily replaced
- Large wheels for easy transportation
- Water consumption can be regulated as needed



Electric Tube Cleaners are compact, powerful, reliable, and easily maneuverable units used to clean straight and curved tubes in heat exchangers, condensers, or boilers. They work by attaching a cleaning tool, such as a brush or boring bit onto a flexible shaft. The motor spins the shaft which is enclosed in a non-rotating casing. If needed water is connected to the cleaner and passes through the flexible shaft to flush out deposits from the tube.

All Cleaners are supplied with a foot switch for control.

### Following models are available:

**MODEL FSC-4 Chiller Tube Cleaning System** — Most commonly used for cleaning up to 5/8” I.D. tubes of chiller units such as Trane, Blue Star, Thermax, Carrier, York and others. 1/2 HP motor @ 890 RPM.

**MODEL FSC-5 Chiller Tube Cleaning System** — Similar to the FSC-4 but has a more powerful 3/4 HP motor @ 890 RPM for removing tougher deposits and comes standard with a dual direction foot switch.

**MODEL FSC-4X Tube Cleaning System** — A Heavy Duty system for tube I.D.’s 1” and larger. This unit is provided with a powerful 1 HP motor @ 1780 RPM.

**MODEL FSC-4X-2A Tube Cleaning System** — Our Heaviest Duty system for the toughest jobs for 1” and larger tubes. This unit is provided with a workhorse 2 HP motor @ 1780 RPM.

Tube I.D. inch	Tube I.D. (mm)	Tube Cleaner	Motor Power hp	Motor Speed RPM	Weight lbs	Dimension		
						High	Wide	Deep
1/4-1	(6.4-25.4)	FSC-4	1/2	890	62	38"(975mm)	21" (535mm)	18" (457mm)
1/4-1	(6.4-25.4)	FSC-5	3/4	890	66	38"(975mm)	21" (535mm)	18" (457mm)
1 & Up	(25.4 & Up)	FSC-4X	1	1780	70	38"(975mm)	21" (535mm)	18" (457mm)
1 & Up	(25.4 & Up)	FSC-4X-2A	2	1780	84	40"(1015mm)	22" (560mm)	19" (482mm)

### ALL CLEANERS CAN BE ORDERED INDIVIDUALLY OR AS A KIT

#### Each Kit is provided with the following:

- 1 ea - Tube Cleaner
- 1 ea - Foot Control Switch
- 2 ea - Flexible Shafts
- 20 ea - Nylon Brushes of your size choice
- 2 ea - Buffing Tools of your size choice
- 1 ea - Flexible Shaft repair kit

**IN-STOCK ITEMS  
SHIP SAME DAY**

**(713) 941-3797 • Toll Free: (800) 456-8721**  
**www.USAINdustries.com**







**Flexible Shafts  
with Stainless Steel  
Inner Core**

## CLEANING EQUIPMENT ACCESSORIES

Since the inner core of the shafts are the heart of the system and take most of the strain, we use the highest quality material in our shafts available, ensuring the longest life. When ordering specify tube ID and length required.

Tube I.D. Range inch (mm)	Flexible Shaft	Flexible Shaft Length feet (mtrs)	Shaft Core O.D. inch (mm)	Shaft Casing O.D. inch (mm)	Tool End Thread
7/16 - 1/2 (11.1-12.7)	FS-2	12 (3.7)	1/4 (6.4)	3/8 (9.5)	1/4 - 28 F
		17 (5.2)			
		25 (7.6)			
		35 (10.7)			
		45 (13.7)			
9/16 - 1 (14.3-25.4)	FS-3	12 (3.7)	5/16 (7.9)	1/2 (12.7)	1/4 - 28 F
		17 (5.2)			
		25 (7.6)			
		35 (10.7)			
		45 (13.7)			
		75 (22.9)			

- Tube sizes 1/4" & 3/8" have 8-32 thread female tooling connectors
- Tube sizes 7/16" thru 1" have 1/4"-28 thread female tooling connectors
- Tube Sizes 1" & larger have 1/4"-28 thread female tooling connectors

## BRUSHES

USED WITH EITHER THE FLEX-SHAFT CLEANERS OR THE CG 625/1250



### Nylon Brushes — "N"

Used for removing soft deposits in any tube material, especially useful for final 'finishing' of tubes.



### Spin Grit — "SN"

Used for removing soft and light scale deposits in any tube material. The Nylon Brushes are impregnated with a Silicon Abrasive Grit to clean and polish.



### Stainless Steel Brushes — "SS"

Used for removing soft and light scale deposits in carbon steel, stainless steel, monel, titanium, etc.



### Brass Brushes — "B"

Used for removing soft and light scale deposits in copper, brass, and their alloyed tubes.

### Flue - Carbon Steel & Nylon Brushes

Carbon Steel is recommended for removing soft and light scale deposits in ferrous tubes and Nylon for final polishing. Flue Brushes 4" & Larger sized in increments.



**SPECIAL NOTE:** Brushes larger than 1" are provided in 1/4" increments up to 8" OD.

#### When ordering, specify:

- Tube ID
- Quantity
- Use <= by 1/16" Increments
- Delivery Date
- Brush type

### SPIN GRIT SIZES

Tube I.D. inch (mm)	Brush Size
.250-.375 (6.35-9.525)	0500
.375-.500 (9.525-12.7)	0625
.500-.625 (12.7-15.875)	0750
.625-.812 (15.875-20.624)	1000
.812-1.000 (20.624-25.4)	1125

### NYLON, BRASS, SS SIZES

Tube I.D. inch (mm)	Brush Size
.281-.342 (7.137-8.687)	0250
.343-.405 (8.712-10.287)	0312
.406-.436 (10.312-11.074)	0375
.437-.499 (11.099-12.674)	0437
.500-.561 (12.7-14.249)	0500
.562-.624 (14.274-15.849)	0562
.625-.686 (15.875-17.424)	0625
.687-.749 (17.449-19.024)	0687
.750-.811 (19.05-20.599)	0750
.812-.874 (20.624-22.199)	0812
.875-.936 (22.225-23.774)	0875
.937-.999 (23.799-25.374)	0937
1.000-1.061 (25.4-26.949)	1.000

#### NOTE:

1" & smaller tube brush sizes should be equal to or 1/16" smaller than Tube I.D.

Order PN's by the following: Example is for .625 Tube I.D., Nylon Brush  
BRU- (Bristle Type)- (Brush Size)

BRU- N 0625

Nylon = N Stainless Steel = SS Brass = B Spin Grit = SN

**IN-STOCK ITEMS  
SHIP SAME DAY**

(713) 941-3797 • Toll Free: (800) 456-8721  
[www.USAINdustries.com](http://www.USAINdustries.com)



## CG625/1250 PNEUMATIC TUBE CLEANING GUN

***Cleans plugged tubes or piping safer, faster and cheaper than any other method.***

The **CG625/1250 Tube Cleaning Gun** turns a special brush or drill coupled to shaft while supplying a stream of water to flush out deposits and increase drillin water flow is adjustable as needed.

Moderately plugged tubes can be cleaned with our Metal or Nylon brushes. tubes are first drilled out using either an Arrow or Carbide tip drill then follow to remove the remaining deposits and “Polish” the tube. The hollow shaft extension tubes can be provided in 2’ length increments up to 8’, extensions are added to provide the total length needed. Adding extensions is fast and easy.

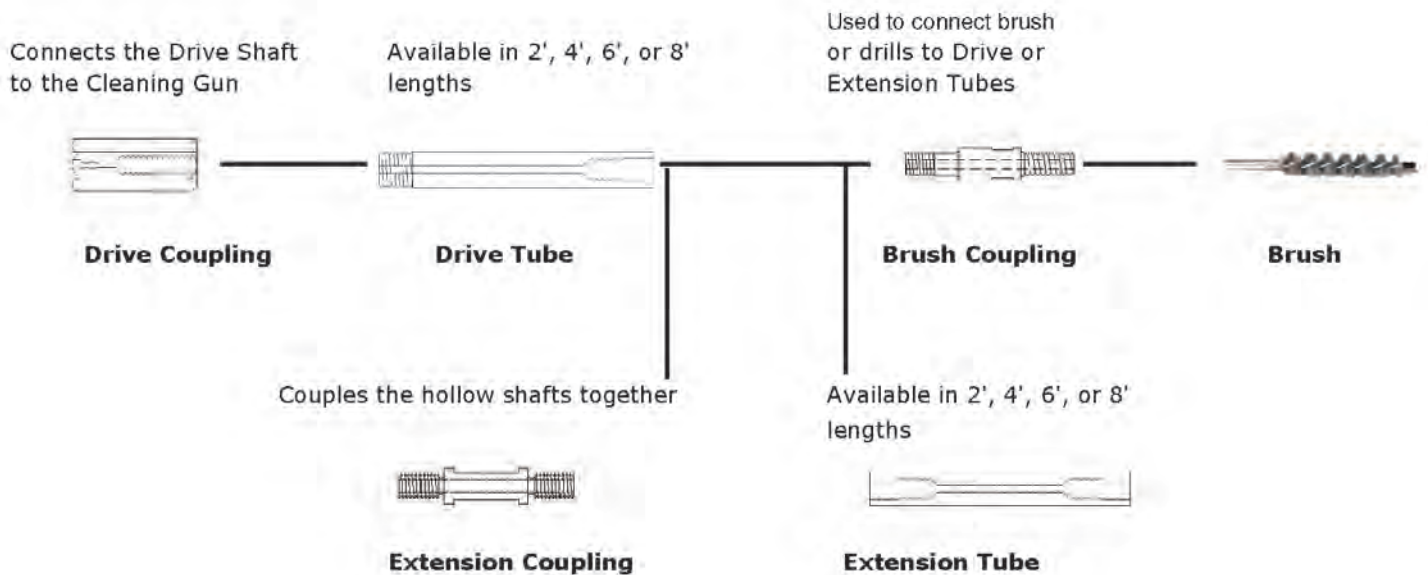


**Each Kit is provided with the following:**

- 1 ea — Cleaning Gun
- 1 ea — Storage Case
- 2 ea — 10’ hoses for air and water connections
- 1 ea — Drive Coupling
- 1 ea — Arrow drill & Brush of your size choice

**When ordering, specify:**

- Tube Size
- Length of Tubing
- Brush or Drill type
- Quantity
- Delivery Date



**IN-STOCK ITEMS  
SHIP SAME DAY**

**(713) 941-3797 • Toll Free: (800) 456-8721**  
**www.USAIndustries.com**



## CLEANING GUN TOOLS

Used with either the Flex-Shaft cleaner or the CG 625/1250

- Best suited to remove medium buildup in tubes
- Drills available in 1/16" increments — starting at 1/4" through 1 1/2" Tube I.D.

### ARROW POINT ALLOY META



See *CG625/1250 Accessories chart, page HE-68*

**When ordering, specify:**

- Tube I.D.
- Quantity
- Type of Drill
- Delivery Date

- Best suited to remove Heavy buildup in plugged tubes
- Drills available in 1/16" increments — starting at 1/4" through 1 1/2" Tube I.D.

### CARBIDE TWIST DRILL



See *CG625/1250 Accessories chart, page HE-68*

**When ordering, specify:**

- Tube I.D.
- Quantity
- Type of Drill
- Delivery Date

## BUFFING TOOLS

Used with either the Flex-Shaft cleaners or the CG 625/1250

**Buffing Tools** are used for final polishing or removal of light and soft deposits from ferrous and non-ferrous tubes that have been previously cleaned. Used in straight or very large radius tubes in a clockwise direction only.

Tube I.D. inch (mm)	Buffing Tool	With Drill Tip	Replacement Blades	Adjusting Jig
5/16 - 3/8 (7.9 - 9.5)	PTC-203	PTC-203DT	PTC-207	PTC-209
3/8 - 1/2 (9.5 - 12.7)	PTC-204	PTC-204DT	PTC-207	PTC-209
1/2 - 9/16 (12.7 - 14.3)	PTC-205	PTC-205DT	PTC-208A	-
5/8 - 1 (15.9 - 25.4)	PTC-206	PTC-206DT	PTC-208B	-

### Buffing Tool



## TRIANGULAR WIRE SCRAPERS

Used with either the Flex-Shaft cleaners or CG625/1250



Adjustable scrapers for 1" thru 3" ID tubes. Used to remove tough and hard scale deposits.

**IN-STOCK ITEMS  
SHIP SAME DAY**

(713) 941-3797 • Toll Free: (800) 456-8721  
[www.USAINdustries.com](http://www.USAINdustries.com)



**TO ORDER  
SELECT THE  
OUTSIDE  
DIAMETER  
AND GAUGE  
WALL OF THE  
TUBE(S)**

**TO ORDER  
SELECT THE  
INSIDE DIAMETER  
OF THE TUBE(S)  
IN THE TUBE I.D.  
SECTION BELOW**

## ACCESSORIES FOR CG625/1250

TUBE O.D. (BWG)	TUBE I.D.	DRIVING COUPLING	DRIVING TUBE	TUBE COUPLING	EXTENSION TUBE	BRUSH COUPLING	ARROW POINT	CARBIDE TWIST	BRUSHES
							AP-DRILLS	CTD-DRILLS	
1/4" (23-24)	3/8" (14)	.212-.227	DC-187	DT-187	N/A	N/A	N/A	CTD-187	
3/8" (14-15)		.228-.243	DC-187	DT-187	N/A	N/A	N/A	CTD-218	
3/8" (15-16)	1/2" (10)	.244-.259	DC-218	DT-218	TC-218	ET-218	N/A	AP-234	CTD-234
3/8" (17)	1/2" (11)	.260-.275	DC-218	DT-218	TC-218	ET-218	N/A	AP-250	CTD-250
3/8" (18)	1/2" (11)	.275-.290	DC-218	DT-218	TC-218	ET-218	N/A	AP-265	CTD-265
3/8" (19)		.291-.301	DC-250	DT-250	TC-250	ET-250	N/A	AP-281	CTD-281
3/8" (20-22)	1/2" (13)	.306-.321	DC-250	DT-250	TC-250	ET-250	N/A	AP-296	CTD-296
1/2" (14)	5/8" (9)	.322-.337	DC-250	DT-250	TC-250	ET-250	N/A	AP-312	CTD-312
1/2" (14)		.338-.353	DC-250	DT-250	TC-250	ET-250	N/A	AP-328	CTD-328
1/2" (15-17)	5/8" (10-11)	.359-.389	DC-312	DT-312	TC-312	ET-312	BC-312	AP-343	CTD-343
1/2" (18)	5/8" (12)	.390-.420	DC-312	DT-312	TC-312	ET-312	BC-312	AP-375	CTD-375
5/8" (13)		.421-.452	DC-375	DT-375	TC-375	ET-375	BC-375	AP-406	CTD-406
5/8" (14-15)	3/4" (9-10)	.453-.483	DC-375	DT-375	TC-375	ET-375	BC-375	AP-437	CTD-437
5/8" (16-17)	3/4" (11)	.484-.514	DC-437	DT-437	TC-437	ET-437	BC-437	AP-468	CTD-437
5/8" (18)	3/4" (12)	.515-.545	DC-437	DT-437	TC-437	ET-437	BC-437	AP-500	CTD-500
3/4" (13)		.546-.577	DC-437	DT-437	TC-437	ET-437	BC-437	AP-531	CTD-531
3/4" (14-15)		.578-.608	DC-437	DT-437	TC-437	ET-437	BC-437	AP-562	CTD-562
3/4" (14-15)		.578-.608	DC-500	DT-500	TC-500	ET-500	BC-500	AP-562	CTD-562
3/4" (16-17)	7/8" (11)	.609-.639	DC-500	DT-500	TC-500	ET-500	BC-500	AP-593	CTD-593
3/4" (18)	7/8" (12)	.640-.675	DC-500	DT-500	TC-500	ET-500	BC-500	AP-625	CTD-625
7/8" (13)		.676-.706	DC-500	DT-500	TC-500	ET-500	BC-500	AP-656	CTD-656
7/8" (14-15)	1" (9)	.707-.737	DC-500	DT-500	TC-500	ET-500	BC-500	AP-687	CTD-687
7/8" (16-17)	1" (10-11)	.738-.769	DC-562	DT-562	TC-562	ET-562	BC-562	AP-718	CTD-718
7/8" (18)	1" (12)	.770-.800	DC-562	DT-562	TC-562	ET-562	BC-562	AP-750	CTD-750
1" (13)	1 1/4" (5)	.801-.831	DC-562	DT-562	TC-562	ET-562	BC-562	AP-781	CTD-781
1" (14-15)	1 1/4" (6)	.832-.862	DC-625	DT-625	TC-625	ET-625	BC-625	AP-812	CTD-812
1" (16-17)		.863-.894	DC-625	DT-625	TC-625	ET-625	BC-625	AP-843	CTD-843
1" (18)	1 1/4" (7-8)	.895-.925	DC-625	DT-625	TC-625	ET-625	BC-625	AP-875	CTD-875
1 1/2" (2)		.926-.956	DC-625	DT-625	TC-625	ET-625	BC-625	AP-906	CTD-906
1 1/4" (9-10)		.957-.987	DC-625	DT-625	TC-625	ET-625	BC-625	AP-937	CTD-937
1 1/4" (11)	1 1/2" (3)	.988-1.024	DC-625	DT-625	TC-625	ET-625	BC-625	AP-968	CTD-968
1 1/4" (12)	1 1/2" (4)	1.025-1.055	DC-625	DT-625	TC-625	ET-625	BC-625	AP-1000	CTD-1000
1 1/4" (13)	1 1/2" (5)	1.025-1.086	DC-750	DT-750	TC-750	ET-750	BC-750	AP-1031	CTD-1031
1 1/4" (14-15)	1 1/2" (6)	1.087-1.117	DC-750	DT-750	TC-750	ET-750	BC-750	AP-1062	CTD-1062
1 1/4" (16-17)	1 1/2" (7)	1.118-1.149	DC-750	DT-750	TC-750	ET-750	BC-750	AP-1093	CTD-1093
1 1/4" (18)	1 1/2" (8)	1.150-1.180	DC-750	DT-750	TC-750	ET-750	BC-750	AP-1125	CTD-1125
1 1/2" (9)	1 3/4" (2)	1.181-1.211	DC-750	DT-750	TC-750	ET-750	BC-750	AP-1156	CTD-1156
1 1/2" (10)	1 3/4" (3)	1.212-1.242	DC-750	DT-750	TC-750	ET-750	BC-750	AP-1187	CTD-1187
1 1/2" (11)		1.243-1.280	DC-750	DT-750	TC-750	ET-750	BC-750	AP-1218	CTD-1218
1 1/2" (12)	1 3/4" (4)	1.281-1.311	DC-750	DT-750	TC-750	ET-750	BC-750	AP-1250	CTD-1250
1 1/2" (13-14)	1 3/4" (5)	1.312-1.342	DC-750	DT-750	TC-750	ET-750	BC-750	AP-1281	CTD-1281
1 1/2" (15-16)	1 3/4" (6)	1.343-1.374	DC-750	DT-750	TC-750	ET-750	BC-750	AP-1312	CTD-1312
1 1/2" (17-18)	1 3/4" (7)	1.375-1.405	DC-750	DT-750	TC-750	ET-750	BC-750	AP-1343	CTD-1343
1 3/4" (8)	2" (1)	1.406-1.436	DC-750	DT-750	TC-750	ET-750	BC-750	AP-1375	CTD-1375
1 3/4" (9)	2" (2)	1.437-1.467	DC-750	DT-750	TC-750	ET-750	BC-750	AP-1406	CTD-1406
1 3/4" (10)	2" (3)	1.468-1.499	DC-750	DT-750	TC-750	ET-750	BC-750	AP-1437	CTD-1437
1 3/4" (11)	2" (4)	1.500-1.530	DC-750	DT-750	TC-750	ET-750	BC-750	AP-1468	CTD-1468
1 3/4" (12)		1.531-1.561	DC-750	DT-750	TC-750	ET-750	BC-750	AP-1500	CTD-1500
1 3/4" (13)	2" (5)	1.562-1.592	DC-1000	DT-1000	TC-1000	ET-1000	BC-1000	AP-1531	
1 3/4" (14-15)	2" (6)	1.562-1.592		DT-1000	TC-1000	ET-1000	BC-1000	AP-1562	
1 3/4" (16-17)	2" (7)	1.625-1.655		DT-1000	TC-1000	ET-1000	BC-1000	AP-1593	
1 3/4" (18-19)	2" (8)	1.656-1.686		DT-1000	TC-1000	ET-1000	BC-1000	AP-1625	
1 3/4" (20-21)	2" (9)	1.687-1.717		DT-1000	TC-1000	ET-1000	BC-1000	AP-1656	
2" (10)		1.718-1.749		DT-1000	TC-1000	ET-1000	BC-1000	AP-1687	
2" (11)	2 1/4" (3)	1.750-1.780		DT-1000	TC-1000	ET-1000	BC-1000	AP-1718	
2" (12)	2 1/4" (4)	1.781-1.811		DT-1000	TC-1000	ET-1000	BC-1000	AP-1750	
2" (13-14)	2 1/4" (5)	1.812-1.842		DT-1000	TC-1000	ET-1000	BC-1000	AP-1781	
2" (15-16)	2 1/4" (6)	1.843-1.874		DT-1000	TC-1000	ET-1000	BC-1000	AP-1812	
2" (17-18)	2 1/4" (7)	1.875-1.905		DT-1000	TC-1000	ET-1000	BC-1000	AP-1843	
2" (19-20)	2 1/4" (8)	1.906-1.936		DT-1000	TC-1000	ET-1000	BC-1000	AP-1875	
2" (21-22)	2 1/4" (9)	1.937-1.967		DT-1000	TC-1000	ET-1000	BC-1000	AP-1906	

Note: Larger sizes available, consult factory

S  
E  
E  
  
B  
R  
U  
S  
H  
  
S  
E  
C  
T  
I  
O  
N  
  
P  
G  
  
H  
E  
48

**IN-STOCK ITEMS  
SHIP SAME DAY**

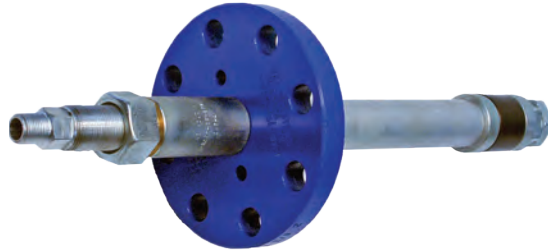
**(713) 941-3797 • Toll Free: (800) 456-8721**  
**www.USAIndustries.com**



**JUST A FEW OF USA INDUSTRIES' PRODUCTS CALL 713-941-3797 RENTAL DEPARTMENT**



**Blind Flanges**



**Flange Weld Test Plugs**



**Paddle Blinds**



**Double Block and Bleed**



**EZ Lock Blind Rack®**



**Roll Motors**



**Captain America Puller**



**Pine Jenny Hollow Core Ram**



**Beveling Machines**

**IN-STOCK ITEMS  
SHIP SAME DAY**

**(713) 941-3797 • Toll Free: (800) 456-8721  
www.USAIndustries.com**



***THE SAFER, FASTER  
& SMARTER  
CHOICE!***



**SNAP IT™**  
**JR & SR**  
**ENGINEERED TUBE PLUGS**

Meets ASME PCC-2 2018 standards  
For use in heat exchanger, boiler and condenser tubes.



## TUBE PLUGS

### *“Plugs from the Tube Plug Pros”*

We offer an extensive range of tube plugs, including our premium **Snap It® Engineered Tube Plugs** designed for superior performance with pressure ratings of up to 7,000 psid and through-the-tube plugging capabilities. Additionally, our metal tapered plugs are available in over 20 stocked metals. Explore our selection of cork, wood, fiber, rubber tapered, and expandable rubber plugs in stock, or let us custom manufacture plugs to match your material and size requirements precisely.

<b>Snap It Jr.</b>		<b>TP-72</b>	<b>Shoulder / Header</b>		<b>TP-82</b>
<b>Snap It Sr.</b>		<b>TP-75</b>	<b>EZ Torque® Gasket</b>		<b>TP-83</b>
<b>Metal Tapered</b>		<b>TP-78</b>	<b>Low &amp; High Pressure Expandable Rubber</b>		<b>TP-84</b>
<b>Two-Piece</b>		<b>TP-79</b>	<b>Threaded Tapered</b>		<b>TP-85</b>
<b>Non-Metal Tapered</b>		<b>TP-80</b>	<b>Zinc Anode</b>		<b>TP-85</b>
<b>Cork</b>		<b>TP-80</b>			
<b>Rubber Tapered</b>		<b>TP-81</b>	<b>Boiler &amp; Condenser Tube Size Charts</b>		<b>TP-86</b>

**IN-STOCK ITEMS  
SHIP SAME DAY**

**(713) 941-3797 • Toll Free: (800) 456-8721**  
**www.USAIndustries.com**





# SNAP IT™

**JR & SR**  
ENGINEERED TUBE PLUGS

**SNAP IT® JR - Simply “Snap It” in Place**

**THE FASTEST, LEAST EXPENSIVE, AND VERY SAFE WAY TO PLUG TUBES IN REFINERIES, PETRO-CHEMICAL AND POWER PLANTS.**

**“CONSISTENT, CONTROLLED INSTALLATION” & “THROUGH-THE-TUBE PLUGGING CAPABILITIES”**

Tube Plugging has never been easier - simply brush the tube end to prepare the surface, insert the plug and “Snap It” in place. The entire procedure takes less than 1 minute per tube.

Snap It Jr. plugs are proven with rated holding pressures of 1,000 psid. When installed properly, these plugs remove all the guess work related to installation. **NO WELDING, NO TUBE SHEET DAMAGE, NO LEAKS, NO WORRY.** Use our complete line of plugging equipment, including tube preparation and installation tools to properly install near or far end applications. “Through-the-tube plugging” saves an enormous amount of time, as neither the channel or floating head covers must be removed.

**Features and Benefits:**

- All tooling is fully compatible with competitor systems
- **Safety -**
  - High safety factor with blowout pressures exceeding 15,000 PSID (dependent on the tube plug size)
  - Requires no welding, thus eliminating sparks or open flames
  - Design greatly reduces the chance of plugs turning into dangerous projectiles, especially during removal
- **Savings, time & expense -**
  - No need to remove the rear head cover when through-the-tube plugging is performed
  - Ease, and quickness of installation time per plug takes just a few minutes resulting in a labor cost savings of up to 80+% while greatly reducing downtime
  - Eliminates the possibility of damage to tube sheets and tube sheet ligaments from welding or overdriving a tapered pin
- Guaranteed to provide a leak-free helium seal to 1 x 10<sup>-9</sup> c/sec
- When used to plug tubular reactors, due to the plugs design and ability to not hinder the catalyst loading systems it significantly decreases reloading times
- **Ideally suited to plug Fin-Fan® headers** quickly & reliably
- Cost of installation and removal equipment is inexpensive and can be purchased or rented
- Each plug fits multiple tube sizes and is available in numerous materials (see chart).



*Environmentally Superior  
Due to POSITIVE SEALING\*  
with Superior Design!*



*View our video online.*

**WARNING:** Never stand in front of an installed plug under pressure. Plugs ejected under pressure can cause serious bodily injury.



## SNAP IT® JR continued

Plug #	Plug Range - Tube ID IN. (mm)	Pin Length IN. (mm)	Brush Kit	Positioner	Pull Rod	Channel Head Pull Rod
JR - 471 - "<>"	0.472 - 0.515 (11.99 - 13.08)	1.63 (41.4)	JRA - 471 - "[ ]"	PP-471	I	CHPRA - "{ }" - I
JR - 491 - "<>"	0.492 - 0.540 (12.50 - 13.72)	1.67 (42.4)	JRA - 491 - "[ ]"	PP-491		
JR - 512 - "<>"	0.513 - 0.562 (13.03 - 14.27)	1.59 (40.3)	JRA - 512 - "[ ]"	PP-512		
JR - 524 - "<>"	0.525 - 0.585 (13.34 - 14.86)	1.28 (32.5)	JRA - 524 - "[ ]"	PP-524		
JR - 555 - "<>"	0.556 - 0.616 (14.12 - 15.65)	1.40 (35.6)	JRA - 555 - "[ ]"	PP-555		
JR - 584 - "<>"	0.585 - 0.649 (14.86 - 16.48)	1.32 (35.5)	JRA - 584 - "[ ]"	PP-584	II	CHPRA - "{ }" - II
JR - 621 - "<>"	0.622 - 0.689 (15.80 - 17.50)	1.57 (39.9)	JRA - 621 - "[ ]"	PP-621		
JR - 649 - "<>"	0.650 - 0.713 (16.51 - 18.11)	1.32 (35.5)	JRA - 649 - "[ ]"	PP-649		
JR - 670 - "<>"	0.671 - 0.740 (17.04 - 18.80)	1.66 (42.2)	JRA - 670 - "[ ]"	PP-670		
JR - 712 - "<>"	0.713 - 0.777 (18.11 - 19.74)	1.32 (35.5)	JRA - 712 - "[ ]"	PP-712		
JR - 735 - "<>"	0.736 - 0.810 (18.69 - 20.57)	1.68 (42.7)	JRA - 735 - "[ ]"	PP-735		
JR - 774 - "<>"	0.775 - 0.838 (19.69 - 21.29)	1.32 (35.5)	JRA - 774 - "[ ]"	PP-774	III	CHPRA - "{ }" - III
JR - 804 - "<>"	0.805 - 0.890 (20.45 - 22.61)	1.7 (43.2)	JRA - 804 - "[ ]"	PP-804		
JR - 837 - "<>"	0.838 - 0.902 (21.29 - 22.91)	1.32 (35.5)	JRA - 837 - "[ ]"	PP-837		
JR - 853 - "<>"	0.854 - 0.949 (21.69 - 24.10)	1.72 (43.7)	JRA - 853 - "[ ]"	PP-853		
JR - 899 - "<>"	0.900 - 0.963 (22.86 - 24.46)	1.32 (35.5)	JRA - 899 - "[ ]"	PP-899		
JR - 919 - "<>"	0.920 - 1.019 (23.37 - 25.88)	1.76 (44.7)	JRA - 919 - "[ ]"	PP-919		
JR - 962 - "<>"	0.963 - 1.027 (24.46 - 26.09)	1.32 (35.5)	JRA - 962 - "[ ]"	PP-962		
JR - 979 - "<>"	0.980 - 1.079 (24.89 - 27.41)	1.82 (46.2)	JRA - 979 - "[ ]"	PP-979		
JR - 1024 - "<>"	1.025 - 1.088 (26.04 - 27.64)	1.32 (35.5)	JRA - 1024 - "[ ]"	PP-1024		
JR - 1054 - "<>"	1.055 - 1.156 (26.80 - 29.31)	1.90 (48.3)	JRA - 1054 - "[ ]"	PP-1054		
JR - 1087 - "<>"	1.088 - 1.152 (27.65 - 29.26)	1.32 (35.5)	JRA - 1087 - "[ ]"	PP-1087		
JR - 1103 - "<>"	1.104 - 1.203 (28.04 - 30.56)	1.90 (48.3)	JRA - 1103 - "[ ]"	PP-1103		
JR - 1149 - "<>"	1.150 - 1.213 (29.21 - 30.81)	1.32 (35.5)	JRA - 1149 - "[ ]"	PP-1149		
JR - 1171 - "<>"	1.172 - 1.270 (29.77 - 32.26)	2.00 (50.8)	JRA - 1171 - "[ ]"	PP-1171		
JR - 1212 - "<>"	1.213 - 1.336 (30.81 - 33.93)	2.00 (50.8)	JRA - 1212 - "[ ]"	PP-1212		

### "<>"

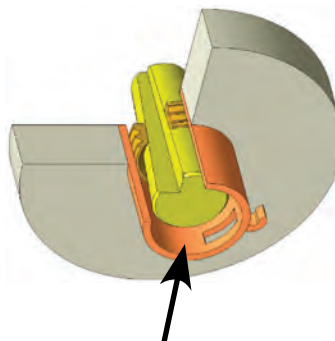
Substitute the suffix "<>" with the following material code: **C** - carbon steel, **S** - 316 stainless steel, **B** - brass, **Y** - Cr/Moly, **M** - monel, **K** - 90/10 CuNi, **J** - 70/30 CuNi. Other materials available.

### "[ ]"

For brass, copper, or copper-nickel tubes add the suffix **LD** to the Brush Kit Tube Preparation Brushes

### "{ }"

Channel Head Pull Rod Assemblies are available in 2', 4', or 6' lengths. Insert the appropriate # for the length required.



**Vent tube using our One Rev tool (see page HE-60)**

#### WHEN ORDERING, SPECIFY:

- Tube ID or OD and bwg/wall thickness
- Material
- Maximum temperature and pressure
- The type of tube or tube sheet joint (rolled, welded, etc.)
- # of Brush Kits required
- If Pull Rod, Channel Head Pull Rod or Plug Positioner is needed
- Quantity
- Delivery Date

**IN-STOCK ITEMS  
SHIP SAME DAY**

**(713) 941-3797 • Toll Free: (800) 456-8721**  
**www.USAIndustries.com**



## SNAP IT® JR PLUG ROLLED TUBE SIZING CHART

	TUBE GAUGE		TUBE O.D. (in.)					
	BWG	WALL THICKNESS	5/8	3/4	7/8	1	1-1/4	1-1/2
ROLLED I.D.	8	-	-	-	.578	.703	.953	1.203
NEAR END	8	-	-	-	555- "<>"	670- "<>"	919- "<>"	1171- "<>"
FAR END	8	-	-	-	524- "<>"	649- "<>"	899- "<>"	1171- "<>"
ROLLED I.D.	9	0.148	-	.484	.609	.734	.984	1.234
NEAR END	9	0.148	-	471- "<>"	584- "<>"	712- "<>"	979- "<>"	1212- "<>"
FAR END	9	0.148	-	471- "<>"	555- "<>"	670- "<>"	919- "<>"	1171- "<>"
ROLLED I.D.	10	0.134	-	.509	.634	.759	1.009	1.259
NEAR END	10	0.134	-	491- "<>"	621- "<>"	735- "<>"	979- "<>"	1212- "<>"
FAR END	10	0.134	-	471- "<>"	584- "<>"	712- "<>"	962- "<>"	1171- "<>"
ROLLED I.D.	11	0.12	-	.534	.659	.784	1.034	1.284
NEAR END	11	0.12	-	524- "<>"	649- "<>"	774- "<>"	1024- "<>"	1212- "<>"
FAR END	11	0.12	-	491- "<>"	621- "<>"	735- "<>"	979- "<>"	1212- "<>"
ROLLED I.D.	12	0.109	-	.554	.679	.804	1.054	1.304
NEAR END	12	0.109	-	524- "<>"	670- "<>"	774- "<>"	1024- "<>"	1212- "<>"
FAR END	12	0.109	-	512- "<>"	621- "<>"	735- "<>"	979- "<>"	1212- "<>"
ROLLED I.D.	13	0.095	-	.579	.704	.829	1.079	1.329
NEAR END	13	0.095	-	555- "<>"	670- "<>"	804- "<>"	1054- "<>"	1212- "<>"
FAR END	13	0.095	-	524- "<>"	649- "<>"	774- "<>"	1024- "<>"	1212- "<>"
ROLLED I.D.	14	0.083	.476	.601	.726	.851	1.101	
NEAR END	14	0.083	471- "<>"	584- "<>"	712- "<>"	837- "<>"	1087- "<>"	
FAR END	14	0.083	-	555- "<>"	670- "<>"	804- "<>"	1054- "<>"	
ROLLED I.D.	15	0.072	.495	.620	.745	.870	1.120	
NEAR END	15	0.072	491- "<>"	584- "<>"	735- "<>"	853- "<>"	1103- "<>"	
FAR END	15	0.072	471- "<>"	584- "<>"	712- "<>"	837- "<>"	1054- "<>"	
ROLLED I.D.	16	0.065	.508	.633	.758	.883	1.133	
NEAR END	16	0.065	491- "<>"	621- "<>"	735- "<>"	853- "<>"	1103- "<>"	
FAR END	16	0.065	471- "<>"	584- "<>"	712- "<>"	837- "<>"	1054- "<>"	
ROLLED I.D.	17	0.058	.521	.646	.771	.896	1.146	
NEAR END	17	0.058	512- "<>"	621- "<>"	735- "<>"	853- "<>"	1103- "<>"	
FAR END	17	0.058	491- "<>"	584- "<>"	735- "<>"	853- "<>"	1103- "<>"	
ROLLED I.D.	18	0.049	.537	.662	.770	.912	1.162	
NEAR END	18	0.049	524- "<>"	649- "<>"	774- "<>"	899- "<>"	1149- "<>"	
FAR END	18	0.049	491- "<>"	621- "<>"	735- "<>"	853- "<>"	1103- "<>"	
ROLLED I.D.	19	0.042	.549	.674	.799	.924	1.174	
NEAR END	19	0.042	524- "<>"	649- "<>"	774- "<>"	899- "<>"	1149- "<>"	
FAR END	19	0.042	512- "<>"	621- "<>"	735- "<>"	853- "<>"	1149- "<>"	
ROLLED I.D.	20	0.035	.562	.687	.812	.937	1.187	
NEAR END	20	0.035	524- "<>"	649- "<>"	774- "<>"	899- "<>"	1149- "<>"	
FAR END	20	0.035	524- "<>"	649- "<>"	774- "<>"	853- "<>"	1149- "<>"	
ROLLED I.D.	21	0.032	.567	.692	.817	.942	1.192	
NEAR END	21	0.032	555- "<>"	670- "<>"	804- "<>"	919- "<>"	1171- "<>"	
FAR END	21	0.032	524- "<>"	649- "<>"	774- "<>"	853- "<>"	1149- "<>"	
ROLLED I.D.	22	0.028	.575	.700	.825	.950	1.200	
NEAR END	22	0.028	555- "<>"	670- "<>"	804- "<>"	919- "<>"	1171- "<>"	
FAR END	22	0.028	524- "<>"	649- "<>"	774- "<>"	919- "<>"	1171- "<>"	
ROLLED I.D.	23	0.025	.580	.705	.830	.955	1.205	
NEAR END	23	0.025	555- "<>"	670- "<>"	804- "<>"	919- "<>"	1171- "<>"	
FAR END	23	0.025	555- "<>"	670- "<>"	804- "<>"	919- "<>"	1171- "<>"	
ROLLED I.D.	24	0.022	.585	.710	.835	.960	1.210	
NEAR END	24	0.022	555- "<>"	670- "<>"	804- "<>"	919- "<>"	1171- "<>"	
FAR END	24	0.022	555- "<>"	670- "<>"	804- "<>"	899- "<>"	1171- "<>"	

AVAILABLE UPON REQUEST

All tube inner diameters listed are based upon a 10% wall reduction

**NOTES:**

- 1) Tube ID's often vary between inlet & outlet due to corrosion and/or erosion, this chart used as Reference only.
- 2) Tube Preparation Brushes are required for use with all Jr Plugs.

**Substitute the suffix "<>" with the following material code:**

- |                  |                 |                |
|------------------|-----------------|----------------|
| C = Carbon Steel | K = 90/10 CuNi  | N = Nickel 200 |
| B = Brass        | Y = Chrome/Moly | T = Titanium   |
| S = 316 SS       | M = Monel       | H = Hastelloy  |
| J = 70/30 CuNi   | I = Inconel     | Z = Zirconium  |

**IN-STOCK ITEMS  
SHIP SAME DAY**

**(713) 941-3797 • Toll Free: (800) 456-8721**  
**www.USAIndustries.com**





# SNAP IT™

**JR & SR**  
ENGINEERED TUBE PLUGS

SNAP IT® SR - Simply “Snap It” in Place

## FOR SUPER CRITICAL PRESSURE APPLICATIONS

**“CONSISTENT, CONTROLLED INSTALLATION”**

Our Snap It Sr. plugs are rated with holding pressure up to **7,000 PSID**, dependent on plug size. When properly installed, these plugs remove all the guess work related to installation. **NO WELDING, NO TUBE SHEET DAMAGE, NO LEAKS, NO WORRY.** Use our complete line of plugging equipment to properly install.

Tube Plugging has never been easier - simply brush the tube end to prepare the surface, insert the plug and “Snap It” in place. The entire procedure takes less than 1 minute per tube.

### Features and Benefits:

- All tooling is fully compatible with competitor systems
- **Safety -**
  - High safety factor with blowout pressures exceeding 28,000 PSID (dependent on the tube plug size)
  - Requires no welding, thus eliminating sparks or open flames
  - Design greatly reduces the chance of plugs turning into dangerous projectiles, especially during removal
- **Savings, time & expense -**
  - Ease, and quickness of installation time per plug takes just a few minutes resulting in a labor cost savings of up to 80+% while greatly reducing downtime
  - Eliminates the possibility of damage to tube sheets and tube sheet ligaments from welding or overdriving a tapered pin
- Guaranteed to provide a leak-free helium seal to 1 x 10<sup>-9</sup> c/sec
- Ideally suited to plug Fin-Fan® headers quickly & reliably
- Cost of installation and removal equipment is inexpensive and can be purchased or rented

PLUG SIZES			PRESSURE RATING	
0.400	→	0.680	=	7000 PSID
0.700	→	0.960	=	4500 PSID
0.980	→	2.000	=	2000 PSID



*Environmentally Superior  
Due to POSITIVE SEALING\*  
with Superior Design!*



*View our video online.*

**WARNING:** Never stand in front of an installed plug under pressure.  
Plugs ejected under pressure can cause serious bodily injury.

## SNAP IT® SR continued

SR KIT PART NO.	PLUG RANGE - TUBE ID IN. (MM)	BRUSH KIT	POSITIONER	PLUG POSITIONER	PULL ROD ASSEMBLY	CHANNEL HEAD PULL ROD
SR - 400 - "<>"	0.401 - 0.420 (10.16 - 10.68)	SRA - 400 - "[ ]"	PP - 400	PP 400 - 440	I	CHPRA - "{ }" - I
SR - 420 - "<>"	0.421 - 0.440 (10.69 - 11.19)	SRA - 420 - "[ ]"	PP - 420			
SR - 440 - "<>"	0.441 - 0.460 (11.20 - 11.70)	SRA - 440 - "[ ]"	PP - 440			
SR - 460 - "<>"	0.461 - 0.480 (11.71 - 12.21)	SRA - 460 - "[ ]"	PP - 460	PP 460 - 500		
SR - 480 - "<>"	0.481 - 0.500 (12.22 - 12.72)	SRA - 480 - "[ ]"	PP - 480			
SR - 500 - "<>"	0.501 - 0.520 (12.73 - 13.22)	SRA - 500 - "[ ]"	PP - 500	PP 520 - 580		
SR - 520 - "<>"	0.521 - 0.540 (13.23 - 13.73)	SRA - 520 - "[ ]"	PP - 520			
SR - 540 - "<>"	0.541 - 0.560 (13.74 - 14.24)	SRA - 540 - "[ ]"	PP - 540	PP 600 - 680		
SR - 560 - "<>"	0.561 - 0.580 (14.25 - 14.75)	SRA - 560 - "[ ]"	PP - 560			
SR - 580 - "<>"	0.581 - 0.600 (14.76 - 15.26)	SRA - 580 - "[ ]"	PP - 580	PP 700 - 780		
SR - 600 - "<>"	0.601 - 0.620 (15.27 - 15.76)	SRA - 600 - "[ ]"	PP - 600			
SR - 620 - "<>"	0.621 - 0.640 (15.77 - 16.27)	SRA - 620 - "[ ]"	PP - 620	PP 800 - 860		
SR - 640 - "<>"	0.641 - 0.660 (16.28 - 16.78)	SRA - 640 - "[ ]"	PP - 640			
SR - 660 - "<>"	0.661 - 0.680 (16.79 - 17.27)	SRA - 660 - "[ ]"	PP - 660	PP 880 - 960		
SR - 680 - "<>"	0.681 - 0.700 (17.28 - 17.79)	SRA - 680 - "[ ]"	PP - 680			
SR - 700 - "<>"	0.701 - 0.720 (17.80 - 18.30)	SRA - 700 - "[ ]"	PP - 700	PP 980 - 1060		
SR - 720 - "<>"	0.721 - 0.740 (18.31 - 18.81)	SRA - 720 - "[ ]"	PP - 720			
SR - 740 - "<>"	0.741 - 0.760 (18.82 - 19.32)	SRA - 740 - "[ ]"	PP - 740	PP 1080 - 1160		
SR - 760 - "<>"	0.761 - 0.780 (19.33 - 19.83)	SRA - 760 - "[ ]"	PP - 760			
SR - 780 - "<>"	0.781 - 0.800 (19.84 - 20.34)	SRA - 780 - "[ ]"	PP - 780	PP 1140 - 1220		
SR - 800 - "<>"	0.801 - 0.820 (20.35 - 20.84)	SRA - 800 - "[ ]"	PP - 800			
SR - 820 - "<>"	0.821 - 0.840 (20.85 - 21.35)	SRA - 820 - "[ ]"	PP - 820	PP 1300 - 1380		
SR - 840 - "<>"	0.841 - 0.860 (21.36 - 21.86)	SRA - 840 - "[ ]"	PP - 840			
SR - 860 - "<>"	0.861 - 0.880 (21.87 - 22.37)	SRA - 860 - "[ ]"	PP - 860	PP 1460 - 1540		
SR - 880 - "<>"	0.881 - 0.900 (22.38 - 22.87)	SRA - 880 - "[ ]"	PP - 880			
SR - 900 - "<>"	0.901 - 0.920 (22.88 - 23.38)	SRA - 900 - "[ ]"	PP - 900	PP 1620 - 1700		
SR - 920 - "<>"	0.921 - 0.940 (23.39 - 23.87)	SRA - 920 - "[ ]"	PP - 920			
SR - 940 - "<>"	0.941 - 0.960 (23.88 - 24.40)	SRA - 940 - "[ ]"	PP - 940	PP 1780 - 1860		
SR - 960 - "<>"	0.961 - 0.980 (24.41 - 24.89)	SRA - 960 - "[ ]"	PP - 960			
SR - 980 - "<>"	0.981 - 1.000 (24.90 - 25.40)	SRA - 980 - "[ ]"	PP - 980	PP 1940 - 2020		
SR - 1000 - "<>"	1.001 - 1.020 (25.41 - 25.91)	SRA - 1000 - "[ ]"	PP - 1000			
SR - 1020 - "<>"	1.021 - 1.040 (25.92 - 26.42)	SRA - 1020 - "[ ]"	PP - 1020	PP 2100 - 2180		
SR - 1040 - "<>"	1.041 - 1.060 (26.43 - 26.92)	SRA - 1040 - "[ ]"	PP - 1040			
SR - 1060 - "<>"	1.061 - 1.080 (26.93 - 27.43)	SRA - 1060 - "[ ]"	PP - 1060	PP 2260 - 2340		
SR - 1080 - "<>"	1.081 - 1.100 (27.44 - 27.94)	SRA - 1080 - "[ ]"	PP - 1080			
SR - 1100 - "<>"	1.101 - 1.120 (27.95 - 28.45)	SRA - 1100 - "[ ]"	PP - 1100	PP 2420 - 2500		
SR - 1120 - "<>"	1.121 - 1.140 (28.46 - 28.96)	SRA - 1120 - "[ ]"	PP - 1120			
SR - 1140 - "<>"	1.141 - 1.160 (28.97 - 29.46)	SRA - 1140 - "[ ]"	PP - 1140	PP 2580 - 2660		
SR - 1160 - "<>"	1.161 - 1.180 (29.47 - 29.97)	SRA - 1160 - "[ ]"	PP - 1160			

NOTES: Standard Sr. Kit includes 10 plugs, 1 Brush and 1 "GO/NO GO" gauge; however, plugs and items can be ordered individually. **Consult factory for more information.**

**"<>"**

Substitute the suffix "<>" with the following material code: **C** - carbon steel, **S** - 316 stainless steel, **B** - brass, **Y** - Cr/Moly, **M** - monel, **K** - 90/10 CuNi, **J** - 70/30 CuNi. Other materials available.

---

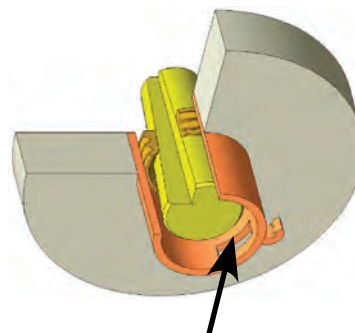
**"[ ]"**

For brass, copper, or copper-nickel tubes add the suffix - **LD** to the Brush Kit Tube Preparation Brushes

---

**"{ }"**

Channel Head Pull Rod Assemblies are available in 2', 4', or 6' lengths. Insert the appropriate # for the length required.



**Vent tube using our One Rev tool (see page HE-60)**

**WHEN ORDERING, SPECIFY:**

- Tube ID
- Material
- Maximum temperature and pressure
- The type of tube or tube sheet joint (rolled, welded, etc.)
- If Pull Rod, Channel Head Pull Rod or Plug Positioner is needed
- Quantity
- Delivery Date

**IN-STOCK ITEMS  
SHIP SAME DAY**

**(713) 941-3797 • Toll Free: (800) 456-8721**  
**www.USAIindustries.com**

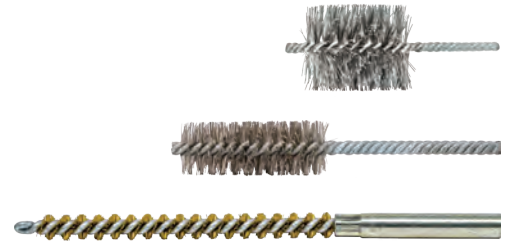


# SNAP IT® JR & SR TOOLS

## TUBE PREPARATION

Use our special **brushes** to properly prep the tube for optimum sealing & holding forces — see Plug Size charts.

- Jr. Brush Kits come with 3 or 4 brushes per kit, dependent on plug size Use the smallest brush in the kit that effectively cleans and preps the tube.
- Sr. brushes are provided for the specific tube size ordered.



## INSTALLATION TOOLS

**Hydraulic Tool** — THE SIMPLEST, SAFEST AND EASIEST WAY TO INSTALL SNAP IT SR. OR JR. PLUGS! The Snap It Installation Kit is compact and lightweight (ram weighs just 7 lbs) yet has plenty of power to easily install all of our plugs. The pump is air driven and requires 80 to 120 lbs. of supply air @ 20 CFM during the few seconds it is operated and comes in a durable storage case on wheels. When ordering the complete kit - it comes with everything needed for installing Jr. or Sr. plugs for near end applications.



Through-the-tube plugging is performed with this tool by adding the appropriate number of extension assemblies with a Channel Head Pull Rod Assembly and following the “through-the-tube” instructions. Peace of mind — when you order this complete kit.

**Pull Rod Assembly** — used with the Hydraulic RAM, this installs the plug(s) in place. Our assemblies are fully interchangeable with competitor systems and have been designed to minimize your costs by utilizing multiple plug positioners with each pull rod size — See Plug Size Chart.



**Channel Head Pull Rod Assemblies & Extension Sets** — Used to operate the system and easily install plugs where Channel Heads are present. Also these are used in conjunction with the extension sets for “through-the-tube” plugging — See Plug Size chart.



## REMOVAL TOOL

**Plug Removal Tool** — designed to easily and quickly remove installed plugs. The Plug Removal Tool removes both the pin and ring in seconds without damage to the tube it was installed in. Simply screw the Spear Stud into the installed pin, dislodge the pin with the slide hammer, screw the spear into the ring, then use the slide hammer to pull out all the pieces.



If required, a new plug can then be reinstalled in the same place!

**NOTE: Contact Factory for Sizing Details.**

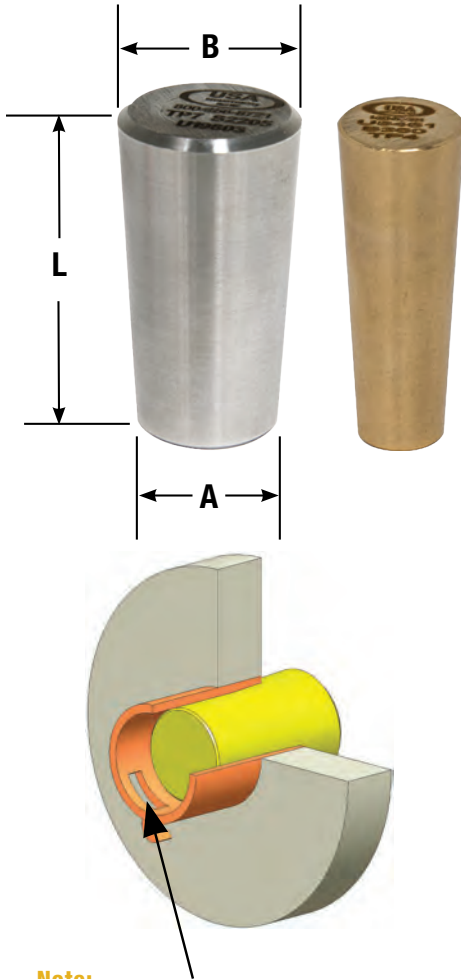
**IN-STOCK ITEMS  
SHIP SAME DAY**

**(713) 941-3797 • Toll Free: (800) 456-8721**  
**www.USAIndustries.com**



## METAL TAPERED TUBE PLUGS

*“Any Metal, Any Size” The Mother of All Plugs*



ALUMINUM BRONZE	ALLOY 20	2205 DUPLEX
Carbon Steel: A-36, A-105, LF2, 1018, 1200	Chrome / Moly: F-5, F-9, F-22	Stainless Steel: 204, 316, 321, 416, 17-4
Brass: 360, Naval, Admiralty	Copper-Nickel: 90 / 10, 70 / 30	Monel: 400, 405, 500
Inconel: 600, 625, 800	Hastelloy: B2, C276	Titanium
Special materials available such as: Ferralium, Nitronic, Tantalum, Waspalloy, Zircalloy, Zirconium and many more.		

PART NO.	TUBE O.D. (in.)	GAUGE	DIMENSION (in.) + / - .005		
			“A” Small End	“B” Large End	“L” Length
TP - 1 - “<>”	1/4	18 - 24	0.141	0.235	1-1/4
	3/8	12 - 14			
TP - 2 - “<>”	3/8	15 - 24	0.213	0.371	1-3/4
	1/2	13 - 15			
TP - 3 - “<>”	1/2	15 - 24	0.337	0.495	
	5/8	12 - 14			
TP - 4 - “<>”	5/8	14 - 24	0.449	0.625	
	3/4	10 - 14			
TP - 5 - “<>”	3/4	14 - 24	0.564	0.750	
	7/8	10 - 13			
TP - 6 - “<>”	1	8 - 9	0.706	0.875	
	7/8	15 - 24			
TP - 7 - “<>”	1	10 - 15	0.776	0.934	
	1	13 - 18			
TP - 8 - “<>”	1	18 - 24	0.892	1.050	
	1-1/8	13 - 17			
TP - 9 - “<>”	1-1/8	15 - 24	0.949	1.125	2
	1-1/4	10 - 14			
TP - 10 - “<>”	1-1/4	13 - 19	1.010	1.186	
TP - 11 - “<>”	1-1/4	19 - 24	1.147	1.323	
TP - 12 - “<>”	1-1/2	10 - 24	1.200	1.495	
	1-1/2	14 - 24			
TP - 13 - “<>”	1-3/4	6 - 13	1.305	1.600	
	1-3/4	14 - 22			
TP - 14 - “<>”	2	6 - 13	1.575	1.870	
	2	12 - 22			
TP - 15 - “<>”	2	12 - 22	1.700	1.995	
TP - 16 - “<>”	2-1/4	6 - 13	1.805	2.100	
TP - 17 - “<>”	2-1/2	5 - 18	2.000	2.375	
TP - 18 - “<>”	2-3/4	4 - 10	2.232	2.500	
TP - 19 - “<>”	3	5 - 12	2.524	2.834	
TP - 20 - “<>”	3	10 - 23	2.625	3.000	
	3-1/4	7 - 14			
TP - 21 - “<>”	3-1/4	7 - 14	2.875	3.125	
TP - 22 - “<>”	3-1/4	13 - 23	3.010	3.250	
	3-1/2	7 - 12			
TP - 23 - “<>”	3-1/2	7 - 12	3.125	3.375	
TP - 24 - “<>”	3-1/2	13 - 23	3.260	3.500	
TP - 25 - “<>”	3-3/4	5 - 12	3.274	3.567	
TP - 26 - “<>”	3-3/4	13 - 23	3.510	3.750	
TP - 27 - “<>”	4	5 - 12	3.524	3.817	
TP - 28 - “<>”	4	13 - 23	3.782	4.000	

**Note:**

Always puncture the tube before installing any plug to ensure that pressure cannot build up in the tube and cause the plugs to loosen or blow out.

For puncturing tubes, see our One Rev Cutters on page HE-60.

**WHEN ORDERING, SPECIFY:**

- TP# based on size of your plug (see chart)
- Material of construction
- For custom plugs, provide “A” “B” & “L” dimensions
- Quantity
- Delivery Date

“<>” = replace “<>” with material of construction required - see Chart above.

**WARNING:** Never stand in front of an installed plug under pressure. Plugs ejected under pressure can cause serious bodily injury.

**IN-STOCK ITEMS  
SHIP SAME DAY**

(713) 941-3797 • Toll Free: (800) 456-8721  
[www.USAIindustries.com](http://www.USAIindustries.com)



## METAL TAPERED TWO-PIECE TUBE PLUGS

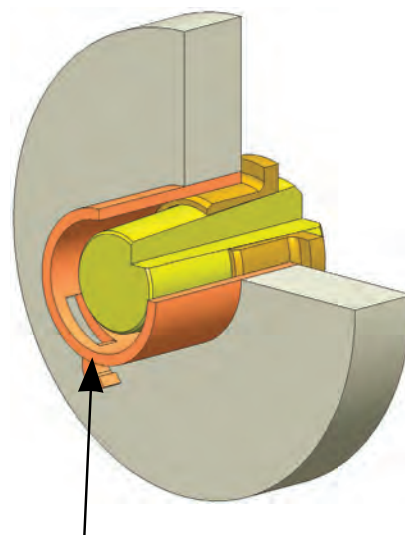


Designed to minimize damage to the tube sheet while sealing off leaky condenser and exchanger tubes - *Installation is Simple!* Insert ring into the tube, insert pin into the ring, hammer until properly sealed. Like the Metal Tapered plugs, these can be removed with a pipe wrench.

**For more consistent & controlled installation, see our “Snap It” line of plugs starting on page TP-72**

- Available in sizes from 3/8” to 2” tubes
- Stocked materials: brass, carbon steel and stainless steel
- Custom sizes and materials available upon request

TUBE O.D. (in.)	TUBE I.D. RANGE	PIN SIZE	RING SIZE
3/8	0.283 - 0.377	TP - 1	TPR - 0375
1/2	0.283 - 0.377	TP - 1	TPR - 0500 - 1
	0.384 - 0.503	TP - 2	TPR - 0500 - 2
5/8	0.384 - 0.503	TP - 2	TPR - 0625 - 2
	0.480 - 0.635	TP - 3	TPR - 0625 - 3
3/4	0.480 - 0.635	TP - 3	TPR - 0750 - 3
	0.616 - 0.759	TP - 4	TPR - 0750 - 4
1	0.616 - 0.759	TP - 4	TPR - 1000 - 4
	0.730 - 0.840	TP - 5	TPR - 1000 - 5
	0.830 - 1.008	TP - 6	TPR - 1000 - 6
1-1/8	0.730 - 0.840	TP - 5	TPR - 1125 - 5
	0.830 - 1.008	TP - 6	TPR - 1125 - 6
	0.930 - 1.130	TP - 7	TPR - 1125 - 7
1-1/4	0.930 - 1.130	TP - 7	TPR - 1250 - 7
	0.992 - 1.261	TP - 8	TPR - 1250 - 8
1-1/2	1.180 - 1.240	TP - 9	TPR - 1500 - 9
	1.242 - 1.342	TP - 10	TPR - 1500 - 10
	1.344 - 1.495	TP - 11	TPR - 1500 - 11
	1.380 - 1.510	TP - 12	TPR - 1500 - 12
2	1.680 - 1.856	TP - 13	TPR - 2000 - 13
	1.742 - 2.020	TP - 14	TPR - 2000 - 14



**Note:**  
Always puncture the tube before installing any plug to ensure that pressure cannot build up in the tube and cause the plugs to loosen or blow out.

For puncturing tubes, see our One Rev Cutters on page HE-60.

### LOC-TITE

*Loc-Tite is used to help set and keep plugs in place!*

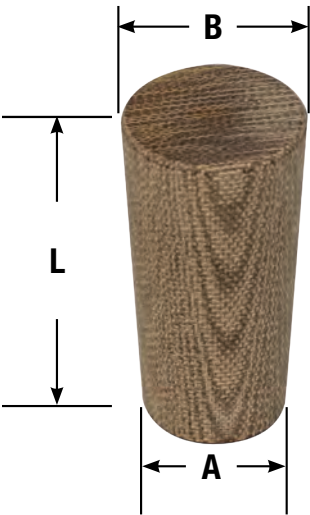


#### WHEN ORDERING, SPECIFY:

- Tube O.D.
- Tube I.D. (tube wall gauge thickness if unable to use a micrometer (mic))
- Material
- Quantity
- Delivery Date

IN-STOCK ITEMS  
SHIP SAME DAY

(713) 941-3797 • Toll Free: (800) 456-8721  
[www.USAIndustries.com](http://www.USAIndustries.com)



## NON-METAL TAPERED TUBE PLUGS

**\*SEE DIMENSIONS ON PAGE TP-78 CHART**  
*(Metal Tapered Tube Plug chart)*

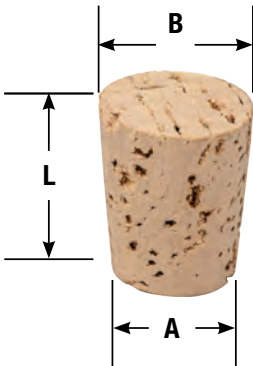
Available in fiber (Phenolic or Micarta) or wood. These plugs are safe, easy to use, corrosion resistant, and easily removed. Slightly hammer the plug into the tube, it will expand by hydrosopic action to make an excellent seal and will not damage the tube sheet.

- Rated up to 230° F
- Order by Tube Size and Gauge
- Use our standard sizes or Yours

### WHEN ORDERING, SPECIFY:

- TP# based on size of your plug (see chart)
- Material of construction
- For custom plugs, provide "A" "B" & "L" dimensions
- Quantity
- Delivery Date

## CORK TUBE PLUGS



### WHEN ORDERING, SPECIFY:

- TP# based on size of your plug (see chart)
- Material of construction
- For custom plugs, provide "A" "B" & "L" dimensions
- Quantity
- Delivery Date

PART NO.	A	B	L
	DIMENSIONS (in.)		
TP - 0000 - C	0.094	0.187	0.500
TP - 000 - C	0.156	0.250	
TP - 00 - C	0.219	0.313	
TP - 0 - C	0.281	0.375	
TP - 1 - C	0.328	0.438	0.625
TP - 2 - C	0.375	0.500	0.688
TP - 3 - C	0.422	0.563	0.750
TP - 4 - C	0.468	0.625	0.813
TP - 5 - C	0.531	0.687	0.875
TP - 6 - C	0.578	0.750	0.938
TP - 7 - C	0.625	0.813	1.00
TP - 8 - C	0.672	0.875	1.063
TP - 9 - C	0.734	0.938	1.125
TP - 10 - C	0.766	1.000	1.250
TP - 11 - C	0.828	1.063	
TP - 12 - C	0.891	1.125	
TP - 13 - C	0.953	1.188	
TP - 14 - C	1.016	1.250	
TP - 15 - C	1.078	1.313	

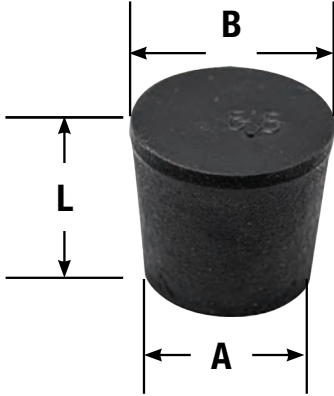
**IN-STOCK ITEMS  
SHIP SAME DAY**

(713) 941-3797 • Toll Free: (800) 456-8721  
[www.USAIndustries.com](http://www.USAIndustries.com)





## RUBBER TAPERED TUBE PLUGS



Used for low pressure isolation or vacuum testing applications (especially with our Vacuum Leak Detector VLD-2500 - see Section 4, page HE-54). Stocked sizes range from 5/16" tube I.D. through 4-3/4" tube I.D. The plugs are made of neoprene and are reusable.

Temperature range: -25°F to +180°F (-31°C to 82°C).

### WHEN ORDERING, SPECIFY:

- TP# based on size of your plug (see chart)
- Quantity
- Delivery Date

PART NO.	TUBE O.D. (in.)	GAUGE	DIMENSION (in.) + / - .005			DIMENSION (mm.) + / - .127				
			"A" SMALL	"B" LARGE	"L" LENGTH	"A" SMALL	"B" LARGE	"L" LENGTH		
TP - 000 - R	1/2	14 - 24	0.313	0.500	0.875	7.950	12.700	22.225		
TP - 00 - R	5/8	13 - 24	0.406	0.594	1.000	10.312	15.088	25.400		
TP - 0 - R	3/4	11 - 17	0.500	0.656		12.700	16.662			
TP - 1 - R	3/4	14 - 24	0.563	0.750		14.300	19.050			
TP - 2 - R	7/8	11 - 17	0.625	0.781		15.875	19.837			
TP - 3 - R	7/8	15 - 24	0.719	0.938		1.000	25.400		18.263	23.825
	1	10 - 19							19.050	25.400
TP - 4 - R	1	11 - 24	0.750	1.000					23.012	27.000
	1-1/8	7 - 14							24.613	28.169
TP - 5 - R	1-1/8	13 - 19	0.906	1.063					26.187	31.750
TP - 5 - 1/2 - R	1-1/8	16 - 24	0.969	1.109					27.000	34.138
	1-1/4	10 - 13							30.175	36.525
TP - 6 - R	1-1/4	13 - 24	1.031	1.250					28.575	38.100
TP - 6 - 1/2 - R	1-3/8	7 - 16	1.063	1.344					33.325	41.275
TP - 7 - R	1-3/8	14 - 24	1.188	1.438					35.712	42.875
TP - 7 - 1/2 - R	1-1/2	7 - 20	1.125	1.500					37.313	44.450
TP - 8 - R	1-1/2	14 - 24	1.312	1.625					38.100	46.050
	1-5/8	10 - 20							41.275	50.013
TP - 8 - 1/2 - R	1-5/8	16 - 24	1.406	1.688					44.450	52.781
TP - 9 - R	1-3/4	10 - 20	1.469	1.750					47.625	55.956
TP - 9 - 1/2 - R	1-3/4	12 - 24	1.500	1.813					50.800	62.713
TP - 10 - R	2	7 - 15	1.625	1.969	53.975			63.500		
TP - 10 - 1/2 - R	2	12 - 20	1.750	2.078	57.937			68.275		
TP - 11 - R	2	18 - 24	1.875	2.203	61.925			75.413		
	2-1/4	8 - 18			76.200			88.900		
TP - 11 - 1/2 - R	2-1/2	8 - 14	2.000	2.469	82.550	101.600				
TP - 12 - R	2-1/2	12 - 18	2.125	2.500	88.900	127.000				
TP - 13 - R	2-3/4	6 - 13	2.281	2.688	1.325	61.925	75.413			
TP - 13 - 1/2 - R	2-3/4	12 - 18	2.438	2.969	1.500	76.200	88.900			
	3	6 - 16			1.500	76.200	88.900			
TP - 14 - R	3	12 - 18	3.000	3.500	1.500	76.200	88.900			
TP - 15 - R	3-1/2	13 - 18	3.250	4.000	1.500	82.550	101.600			
TP - 16 - R	4	7 - 18	3.500	5.000	2.000	88.900	127.000			

**IN-STOCK ITEMS  
SHIP SAME DAY**

(713) 941-3797 • Toll Free: (800) 456-8721  
[www.USAIndustries.com](http://www.USAIndustries.com)



## SHOULDER / HEADER PLUGS

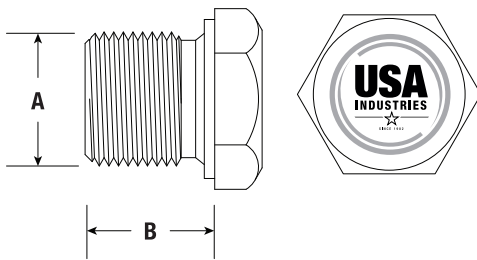


Made for Fin-Fan® header boxes and available in carbon steel (coated or uncoated), stainless steel, brass and other materials.

- Sizes available for 5/8" through 2" tube
- When ordering, specify the plug diameter & length (verify the thread and hex sizes are correct)
- Custom sizes & material available upon request
- Length under head available 3/4" - 3"
- Specify your needs for custom orders



**Environmentally Superior Due to POSITIVE SEALING\* with Superior Design!**



**WHEN ORDERING PLUGS, SPECIFY:**

- Plug Threaded Hole Size (Plug Diameter)
- UNF Size (threads per inch)
- Length under Head
- Material of Construction
- Quantity
- Delivery Date

**WHEN ORDERING GASKETS, SPECIFY:**

- Flat Gasket or EZ Torque
- Plug Threaded Hole Size
- Material of Construction
- Quantity
- Delivery Date

**\* MINIMUM TORQUE VALUES FOR AISI 1008 MATERIAL - CONSULT FACTORY FOR OTHER MATERIAL VALUES**

TYPICAL O.D. (in.)	"A" PLUG DIAMETER (in.)	TYPICAL U.N.F. THREAD	"B" LENGTH UNDER **HEAD	HEX SIZE	FLAT GASKET		EZ TORQUE® GASKET	
					STOCK #	TORQUE FT/LBS	STOCK #	TORQUE FT/LBS
5/8	3/4	16	3/4 - 1-1/2	1	SP - G - 0750 - "<>"	200	SP - G - EZ - 0750 - "<>"	*90 - 130
3/4	7/8	14		1-1/8	SP - G - 0875 - "<>"	265	SP - G - EZ - 0875 - "<>"	*130 - 180
7/8	1	12		1-1/4	SP - G - 1000 - "<>"	300	SP - G - EZ - 1000 - "<>"	*150 - 200
1	1-1/8			1-3/8	SP - G - 1125 - "<>"	395	SP - G - EZ - 1125 - "<>"	*160 - 210
1-1/8	1-1/4			1-1/2	SP - G - 1250 - "<>"	490	SP - G - EZ - 1250 - "<>"	*230 - 310
1-1/4	1-3/8			1-5/8	SP - G - 1375 - "<>"	580	SP - G - EZ - 1375 - "<>"	*290 - 380
1-3/8	1-1/2			1-3/4	SP - G - 1500 - "<>"	690	SP - G - EZ - 1500 - "<>"	*330 - 450
1-1/2	1-5/8			1-7/8	SP - G - 1625 - "<>"	800	SP - G - EZ - 1625 - "<>"	*400 - 530
1-5/8	1-3/4			2	SP - G - 1750 - "<>"	900	SP - G - EZ - 1750 - "<>"	*450 - 600
1-3/4	1-7/8			2-1/8	SP - G - 1875 - "<>"	1000	SP - G - EZ - 1875 - "<>"	*540 - 700
1-7/8	2			2-1/4	SP - G - 2000 - "<>"	1100	SP - G - EZ - 2000 - "<>"	*610 - 810
2	2-1/8			2-3/8	SP - G - 2125 - "<>"	1200	SP - G - EZ - 2125 - "<>"	*680 - 910

\* Torque values based on proper installation. \*\* Typically stocked lengths

**Substitute the suffix "<>" with the following material code:**

- C = Carbon Steel
- B = Brass
- S = 316 SS
- J = 70/30 CuNi
- K = 90/10 CuNi
- Y = Chrome/Moly
- M = Monel
- I = Inconel
- N = Nickel 200
- T = Titanium
- H = Hastelloy
- Z = Zirconium
- \*Other alloys available.

**Note 1:** All values listed in Ft / lbs are recommended minimum torque values

**Note 2:** The Recommended Minimum Torque Values for the Flat Gaskets are based on ideal sealing surface conditions, meeting ASME Specs. Typically encountered surface area imperfections do not affect the values given for EZ Torque® Gaskets.

**Note 3:** The Minimum Recommended Torque Values given for EZ Torque® Gaskets are higher than the Theoretical Torque Values to ensure Thread Locking.

Available Coatings: Cadmium, Electroless Nickel, Galvanized, Nickel, Zinc or Uncoated. Other coatings available.

Fin-Fan® is a Registered Trademark of Hudson Products Corporation

**WARNING:** Never stand in front of an installed plug under pressure. Plugs ejected under pressure can cause serious bodily injury.

**IN-STOCK ITEMS  
SHIP SAME DAY**

**(713) 941-3797 • Toll Free: (800) 456-8721**  
**www.USAIindustries.com**



## EZ TORQUE® SURE SEAL GASKETS

**ENVIRONMENTALLY SUPERIOR  
-NO LEAKS / POSITIVE SEALING\***



**MACHINED  
METAL CORE  
WITH BONDED  
GRAPHITE FACE.**

USA Industries' EZ Torque Sure Seal Gaskets are designed to provide a positive seal and require less than half the installation torque required for typical soft iron gaskets. Lower torque means no more stripping of threads which prevents the gasket from sealing.

Our innovative design incorporates a graphite outer shell over a special machined metal inner core. The labyrinth design allows the graphite to be compressed and held in place, sealing against imperfections on the surface area. Due to the compressive load stored in the gasket's design, leaks due to typical thermal cycling are eliminated.

The graphite outer shell virtually eliminates the need to remachine the gasket surface areas due to roughness, nicks or scratches typically found in the field.

Nominal Size (in)	EZ Torque Gasket ID (in)	Gasket OD (in)	AISI 1008		304 Stainless		316 Stainless		Nickel 200		Monel 400		2205 Duplex	
			Recommended Torque (lbs-ft)											
			MIN	MAX	MIN	MAX	MIN	MAX	MIN	MAX	MIN	MAX	MIN	MAX
5/8	0.641	0.875	50	70	50	70	50	70	30	40	40	60	90	130
3/4	0.766	1.000	90	130	100	140	110	150	60	80	80	110	190	270
7/8	0.891	1.125	130	180	140	190	150	200	90	120	110	150	260	350
1	1.016	1.250	150	200	170	230	180	240	110	150	140	190	310	420
1 1/8	1.141	1.375	160	210	180	240	190	250	110	150	140	190	330	440
1 1/4	1.266	1.500	230	310	260	350	270	360	160	220	210	280	480	650
1 3/8	1.391	1.625	290	380	320	420	340	450	200	260	260	340	590	770
1 1/2	1.516	1.750	330	450	370	500	390	530	230	310	300	410	680	920
1 5/8	1.641	1.875	400	530	440	580	460	610	280	370	350	460	810	1070
1 3/4	1.766	2.000	450	600	500	670	530	710	310	420	400	540	930	1250
1 7/8"	1.891	2.125	540	700	600	780	630	820	370	480	480	620	1110	1440
2"	2.016	2.250	610	810	680	900	710	940	430	570	540	710	1260	1670
2 1/8"	2.141	2.375	680	910	750	1000	790	1050	470	630	600	800	1390	1850

**NOTE:** The minimum recommended torque values given for EZ Torque Gaskets are higher than the theoretical torque values to ensure thread locking.

### BENEFITS

- Low torque design
- Eliminates stripping the threads by over-torquing to seal
- No environmental leaks
- Virtually eliminates field remachining
- Cost effective. Low cost of ownership.
- Saves time. During removal, graphite prevents gasket from seizing to header or plug.
- Graphite eliminates atmospheric corrosion
- Metal core available in any material type - 316SS, Inconel, Hastelloy, Nickel, etc.
- Can be used with existing plugs in the field
- Self-aligning when used with USA Industries, Inc.'s manufactured plugs
- Quick delivery - Available 24/7-365

**See Chart on page TP-82 for size and part number**

**When Ordering Gaskets Specify:**

Plug Threaded Hole Size • Material of Construction  
Quantity • Delivery Date

**Material codes:**

- |                |                 |               |
|----------------|-----------------|---------------|
| C = Carbon     | K = 90/10 CuNi  | N = Nickel    |
| B = Brass      | Y = Chrome/Moly | T = Titanium  |
| S = 316SS      | M = Monel       | H = Hastelloy |
| J = 70/30 CuNi | I = Inconel     | Z = Zirconium |

Other alloys available.

\* Based on proper installation.

**IN-STOCK ITEMS  
SHIP SAME DAY**

**(713) 941-3797 • Toll Free: (800) 456-8721**  
**www.USAIindustries.com**



## LOW & HIGH PRESSURE INTERNAL AND FLANGED TUBE PLUGS

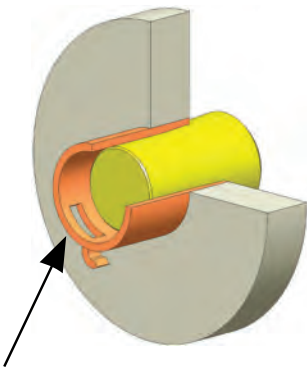
The tube condenser plug that gives you **“Performance Under Pressure”** - up to 100 psi. Standard sizes listed in stock, giving you same day shipping on most plugs. Special sizes and plugs trimmed to your requirements are available upon request. The plugs are inserted into the tubing (*if flanged, mate flange up to the tube*) finger-tighten and then secure with the appropriate socket wrench unit the proper seal is made.

- Made of neoprene
- Grade K-2247-CF, ASTM-BC 412 45+/-5 Durometer hardness
- Resistant to oil and gasoline
- Temperature range: -45°F to +300°F (-43°C to 149°C)
- Easy to use and reusable
- Rated to 100 psi when installed properly
- Safety lanyards can be installed (*at an additional cost*) to assure operator’s protection
- Specify hardware: carbon steel, stainless steel, brass



**WHEN ORDERING, SPECIFY:**

- TP# based on size of your plug (see chart)
- Specify Internal or Flanged
- Specify Single or Double Seal
- Hardware (CS, SS, BRASS)
- Quantity
- Delivery Date



**Note:**  
Always puncture the tube before installing any plug to ensure that pressure cannot build up in the tube and cause the plugs to loosen or blow out.

For puncturing tubes, see our One Rev Cutters on page HE-60.

FOR TUBE I.D.'S		PRESSURE RATING			
		120	150	120	150
(in.)	(mm)	INTERNAL SINGLE SEAL	INTERNAL DOUBLE SEAL	FLANGED SINGLE SEAL	FLANGED DOUBLE SEAL
1/2 - 5/8	12 - 16	EP-IS-0500	EP-ID-0500	EP-FS-0500	EP-FD-0500
5/8 - 3/4	16 - 19	EP-IS-0625	EP-ID-0625	EP-FS-0625	EP-FD-0625
3/4 - 7/8	19 - 22	EP-IS-0750	EP-ID-0750	EP-FS-0750	EP-FD-0750
7/8 - 1	22 - 25	EP-IS-0875	EP-ID-0875	EP-FS-0875	EP-FD-0875
1 - 1-1/8	25 - 29	EP-IS-1000	EP-ID-1000	EP-FS-1000	EP-FD-1000
1-1/8 - 1-1/4	29 - 32	EP-IS-1125	EP-ID-1125	EP-FS-1125	EP-FD-1125
1-1/4 - 1-3/8	32 - 35	EP-IS-1250	EP-ID-1250	EP-FS-1250	EP-FD-1250
1-3/8 - 1-1/2	35 - 38	EP-IS-1375	EP-ID-1375	EP-FS-1375	EP-FD-1375
1-1/2 - 1-5/8	38 - 41	EP-IS-1500	EP-ID-1500	EP-FS-1500	EP-FD-1500
1-5/8 - 1-3/4	41 - 45	EP-IS-1625	EP-ID-1625	EP-FS-1625	EP-FD-1625
1-3/4 - 1-7/8	45 - 48	EP-IS-1750	EP-ID-1750	EP-FS-1750	EP-FD-1750
1-7/8 - 2	48 - 51	EP-IS-1875	EP-ID-1875	EP-FS-1875	EP-FD-1875
2 - 2-1/8	51 - 54	EP-IS-2000	EP-ID-2000	EP-FS-2000	EP-FD-2000
2-1/8 - 2-1/4	54 - 57	EP-IS-2125	EP-ID-2125	EP-FS-2125	EP-FD-2125
2-1/4 - 2-3/8	57 - 60	EP-IS-2250	EP-ID-2250	EP-FS-2250	EP-FD-2250

**IN-STOCK ITEMS  
SHIP SAME DAY**

**(713) 941-3797 • Toll Free: (800) 456-8721**  
**www.USAIndustries.com**

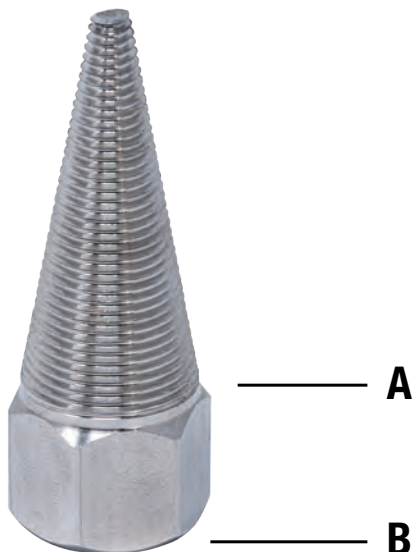


## THREADED TAPERED TUBE PLUGS

*Plugs Holes Through Sides or Ends of Piping, Tubing, or Vessels*

A fast and simple way to stop leaks in tanks, pipes, etc. Threaded plugs are manufactured using heat treated alloy steel or stainless steel. To install, use a standard Hex wrench or socket.

- Self tapping
- Stocked in: alloy steel and stainless steel



### WHEN ORDERING, SPECIFY:

- TP# Based on size of your plug (see chart)
- Material of Construction
- Quantity
- Delivery Date

FOR HOLE SIZES UP TO	PART NO.	"A" LARGE END	"B" HEX SIZE (in.)
0.350	TTP-0375	.365	3/8
0.450	TTP-0500	.480	1/2
0.580	TTP-0625	.615	5/8
0.710	TTP-0750	.730	3/4
0.835	TTP-0875	.855	7/8
0.950	TTP-1000	.975	1
1.150	TTP-1125	1.100	1-1/8
1.200	TTP-1250	1.220	1-1/4
1.320	TTP-1375	1.345	1-3/8
1.450	TTP-1500	1.470	1-1/2

## ANODE PLUGS - Zinc Corrosion Plugs

USA INDUSTRIES' zinc plugs help protect heat exchangers, pipelines, tanks, pumps and many other pieces of equipment from corrosion. The zinc rod is consumed by any electrolytic action that would otherwise attack and corrode equipment.

NOTE: For sizes larger than 1" NPT use 1" part numbers and install in a reducing bushing.

### WHEN ORDERING, SPECIFY:

- Length of Anode
- Size of plug (see chart)
- Quantity
- Delivery Date



SIZE NPT (in.)	ROD DIAMETER (in.)	ROD LENGTH (in.)	PART NO.
1/4	1/4	1	AP-0250-1
1/4	1/4	2	AP-0250-2
1/4	1/4	3	AP-0250-3
1/4	1/4	6	AP-0250-6
3/8	3/8	2	AP-0375-2
3/8	3/8	3	AP-0375-3
3/8	3/8	6	AP-0375-6
1/2	1/2	3	AP-0500-3
1/2	1/2	6	AP-0500-6
1/2	1/2	8	AP-0500-8
3/4	3/4	4	AP-0750-4
3/4	3/4	6	AP-0750-6
3/4	3/4	8	AP-0750-8
1	1	4	AP-1000-4
1	1	6	AP-1000-6
1	1	10	AP-1000-10
1	1	14	AP-1000-14

**IN-STOCK ITEMS  
SHIP SAME DAY**

(713) 941-3797 • Toll Free: (800) 456-8721  
[www.USAIndustries.com](http://www.USAIndustries.com)





# TUBE SERIES (B.W.G.)

All Dimensions Shown in Inches



TUBE O.D. (in.)	TUBE GAUGE																								TURF ID.	
	00	0	1	2	3	4	5	6	7	8	9	10	11	12	13	14	15	16	17	18	19	20	21	22		23
	WALL THICKNESS (in.)																									
0.380	0.340	0.300	0.284	0.259	0.238	0.220	0.203	0.180	0.165	0.148	0.134	0.120	0.109	0.095	0.083	0.072	0.065	0.058	0.049	0.042	0.035	0.032	0.028	0.025	0.022	0.022
1/4												0.010	0.032	0.060	0.084	0.106	0.120	0.134	0.152	0.166	0.180	0.186	0.194	0.200	0.206	0.206
3/8								0.015	0.045	0.079	0.107	0.135	0.157	0.185	0.209	0.231	0.245	0.259	0.277	0.291	0.305	0.311	0.319	0.325	0.331	0.331
1/2					0.024	0.060	0.094	0.140	0.170	0.204	0.232	0.260	0.282	0.310	0.334	0.356	0.370	0.384	0.402	0.416	0.430	0.436	0.444	0.450	0.456	0.456
5/8		0.025	0.057	0.107	0.149	0.185	0.219	0.265	0.295	0.329	0.357	0.385	0.407	0.435	0.459	0.481	0.495	0.509	0.527	0.541	0.555	0.561	0.569	0.575	0.581	0.581
3/4	0.070	0.150	0.182	0.232	0.274	0.310	0.344	0.390	0.420	0.454	0.482	0.510	0.532	0.560	0.584	0.606	0.620	0.634	0.652	0.666	0.680	0.686	0.694	0.700	0.706	0.706
7/8	0.115	0.195	0.275	0.307	0.357	0.399	0.469	0.515	0.545	0.579	0.607	0.635	0.657	0.685	0.709	0.731	0.745	0.759	0.777	0.791	0.805	0.811	0.819	0.825	0.831	0.831
1	0.240	0.320	0.400	0.432	0.482	0.524	0.594	0.640	0.670	0.704	0.732	0.760	0.782	0.810	0.834	0.856	0.870	0.884	0.902	0.916	0.930	0.936	0.944	0.950	0.956	0.956
1-1/8	0.365	0.445	0.525	0.557	0.607	0.649	0.719	0.765	0.795	0.829	0.857	0.885	0.907	0.935	0.959	0.981	0.995	1.009	1.027	1.041	1.055	1.061	1.069	1.075	1.081	1.081
1-1/4	0.490	0.570	0.650	0.682	0.732	0.774	0.844	0.890	0.920	0.954	0.982	1.010	1.032	1.060	1.084	1.106	1.120	1.134	1.152	1.166	1.180	1.186	1.194	1.200	1.206	1.206
1-1/2	0.740	0.820	0.900	0.932	0.982	1.024	1.094	1.140	1.170	1.204	1.232	1.260	1.282	1.310	1.334	1.356	1.370	1.384	1.402	1.416	1.430	1.436	1.444	1.450	1.456	1.456
1-3/4	0.990	1.070	1.150	1.182	1.232	1.274	1.344	1.390	1.420	1.454	1.482	1.510	1.532	1.560	1.584	1.606	1.620	1.634	1.652	1.666	1.680	1.686	1.694	1.700	1.706	1.706
2	1.240	1.320	1.400	1.432	1.482	1.524	1.594	1.640	1.670	1.704	1.732	1.760	1.782	1.810	1.834	1.856	1.870	1.884	1.902	1.916	1.930	1.936	1.944	1.950	1.956	1.956
2-1/4	1.490	1.570	1.650	1.682	1.732	1.774	1.844	1.890	1.920	1.954	1.982	2.010	2.032	2.060	2.084	2.106	2.120	2.134	2.152	2.166	2.180	2.186	2.194	2.200	2.206	2.206
2-1/2	1.740	1.820	1.900	1.932	1.982	2.024	2.094	2.140	2.170	2.204	2.232	2.260	2.282	2.310	2.334	2.356	2.370	2.384	2.402	2.416	2.430	2.436	2.444	2.450	2.456	2.456
2-3/4	1.990	2.070	2.150	2.182	2.232	2.274	2.344	2.390	2.420	2.454	2.482	2.510	2.532	2.560	2.584	2.606	2.620	2.634	2.652	2.666	2.680	2.686	2.694	2.700	2.706	2.706
3	2.240	2.320	2.400	2.432	2.482	2.524	2.594	2.640	2.670	2.704	2.732	2.760	2.782	2.810	2.834	2.856	2.870	2.884	2.902	2.916	2.930	2.936	2.944	2.950	2.956	2.956
3-1/4	2.490	2.570	2.650	2.682	2.732	2.774	2.844	2.890	2.920	2.954	2.982	3.010	3.032	3.060	3.084	3.106	3.120	3.134	3.152	3.166	3.180	3.186	3.194	3.200	3.206	3.206
3-1/2	2.740	2.820	2.900	2.932	2.982	3.024	3.094	3.140	3.170	3.204	3.232	3.260	3.282	3.310	3.334	3.356	3.370	3.384	3.402	3.416	3.430	3.436	3.444	3.450	3.456	3.456
3-3/4	2.990	3.070	3.150	3.182	3.232	3.274	3.344	3.390	3.420	3.454	3.482	3.510	3.532	3.560	3.584	3.606	3.620	3.634	3.652	3.666	3.680	3.686	3.694	3.700	3.706	3.706
4	3.240	3.320	3.400	3.432	3.482	3.524	3.594	3.640	3.670	3.704	3.732	3.760	3.782	3.810	3.834	3.856	3.870	3.884	3.902	3.916	3.930	3.936	3.944	3.950	3.956	3.956
4-1/4	3.490	3.570	3.650	3.682	3.732	3.774	3.844	3.890	3.920	3.954	3.982	4.010	4.032	4.060	4.084	4.106	4.120	4.134	4.152	4.166	4.180	4.186	4.194	4.200	4.206	4.206
4-1/2	3.740	3.820	3.900	3.932	3.982	4.024	4.094	4.140	4.170	4.204	4.232	4.260	4.282	4.310	4.334	4.356	4.370	4.384	4.402	4.416	4.430	4.436	4.444	4.450	4.456	4.456
4-3/4	3.990	4.070	4.150	4.182	4.232	4.274	4.344	4.390	4.420	4.454	4.482	4.510	4.532	4.560	4.584	4.606	4.620	4.634	4.652	4.666	4.680	4.686	4.694	4.700	4.706	4.706
5	4.240	4.320	4.400	4.432	4.482	4.524	4.594	4.640	4.670	4.704	4.732	4.760	4.782	4.810	4.834	4.856	4.870	4.884	4.902	4.916	4.930	4.936	4.944	4.950	4.956	4.956
5-1/4	4.490	4.570	4.650	4.682	4.732	4.774	4.844	4.890	4.920	4.954	4.982	5.010	5.032	5.060	5.084	5.106	5.120	5.134	5.152	5.166	5.180	5.186	5.194	5.200	5.206	5.206

**IN-STOCK ITEMS  
SHIP SAME DAY**

**(713) 941-3797 • Toll Free: (800) 456-8721**  
**www.USAIndustries.com**



# CUSTOM MACHINING



With state of the art CNC machinery, USA Industries can manufacture parts to meet your particular needs for your design and material specification.

From 1 piece to 1,000,000 pieces - we can provide tolerances of +/-1 mils and turn up to 80" OD on our lathes.

Pulleys, alignment pins, collars, subs, threading inserts, bolts, collar bolts, specialty flanges for turbines, specialty ferrules, parts for aerospace industry, etc.... From 1 piece to 1,000,000, USA Industries has the capabilities to manufacture parts of most any design for you.

Our machining capabilities include CNC 5 & 4 Axis Mills, Lathes, Waterjet, Plasma & Oxyfuel, Optical CMM's Engine Lathes, Radial Drills, Laser Engravers, Knee Mills and more.

**Contact us with your specific needs  
for a Quote.**

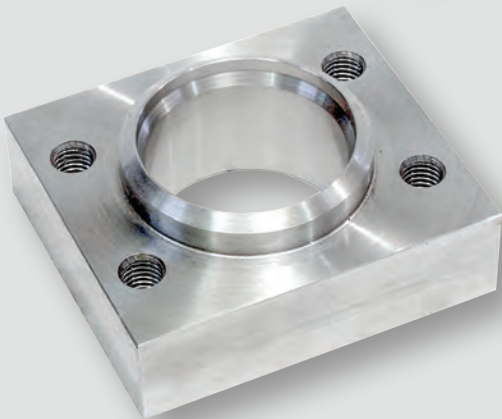


**(713) 941-3797**

**(800) 456-8721**

**info@USAIndustries.com**

**www.USAIndustries.com**



# GRIPSAFE<sup>®</sup> ST

The most significant innovation in pipe isolation and testing technology in over 65 years!



**SUPERIOR  
TECHNOLOGY**



## **APPLICATIONS INCLUDE:**

- Pipe Testing • Flange Weld Testing • Pipe Spool Testing • Line Purging • Isolation
- Positive Isolation Monitoring • Pre/Post Weld Operations

**For Information on GripSafe<sup>®</sup> ST  
see Section 1, Pages 12 - 17**

For the latest GripSafeST patent and trademark information, go to:  
<https://www.usaindustries.com/gripsafe-patents-trademarks/>

